

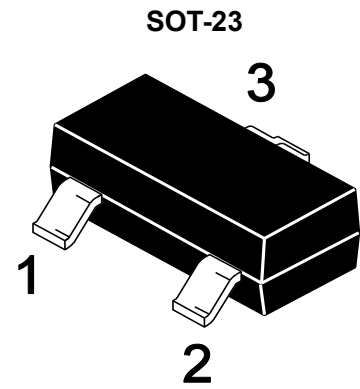


# MMBTSC1623

## NPN Transistor

### Features

- High DC Current gain.
- High voltage



1.Base 2.Emitter 3.Collector

**Marking Code:** L4: L4.  
L5: L5.  
L6: L6.  
L7: L7.

### Absolute Maximum Ratings

Ratings at 25°C ambient temperature unless otherwise specified.

Parameter	Symbol	Value	Unit
Collector Base Voltage	$V_{CBO}$	60	V
Collector Emitter Voltage	$V_{CEO}$	50	V
Emitter Base Voltage	$V_{EBO}$	5	V
Collector Current	$I_C$	100	mA
Power Dissipation	$P_D$	200	mW
Junction Temperature	$T_J$	150	°C
Storage Temperature Range	$T_{STG}$	-55 to 150	°C



### Electrical Characteristics

Ratings at 25°C ambient temperature unless otherwise specified.

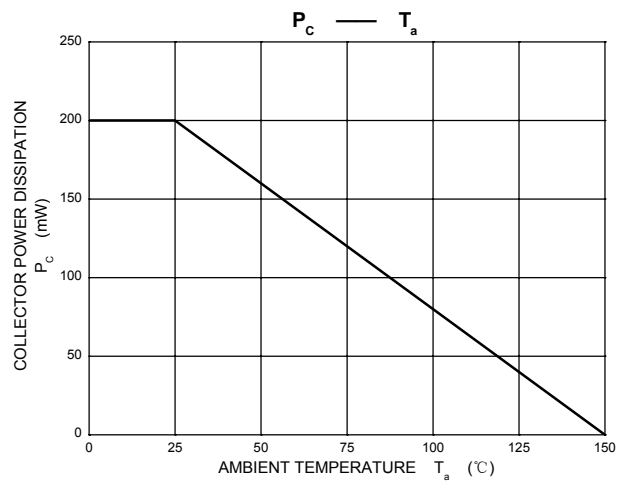
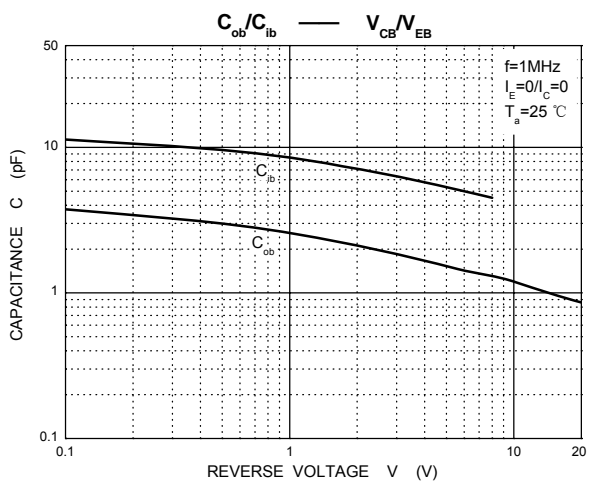
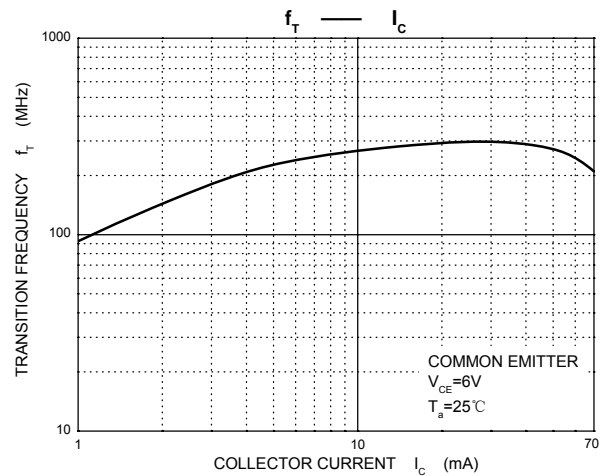
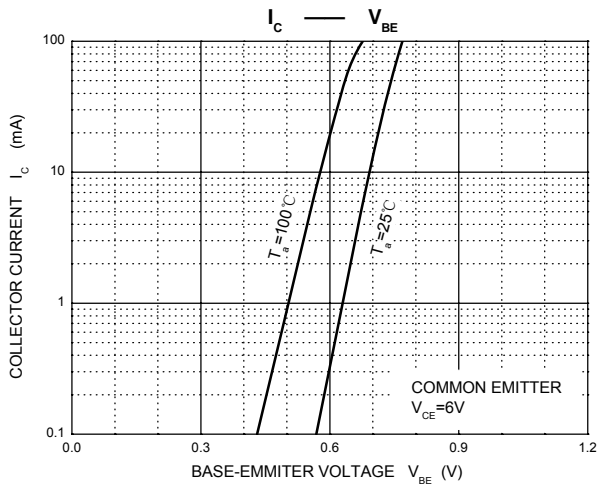
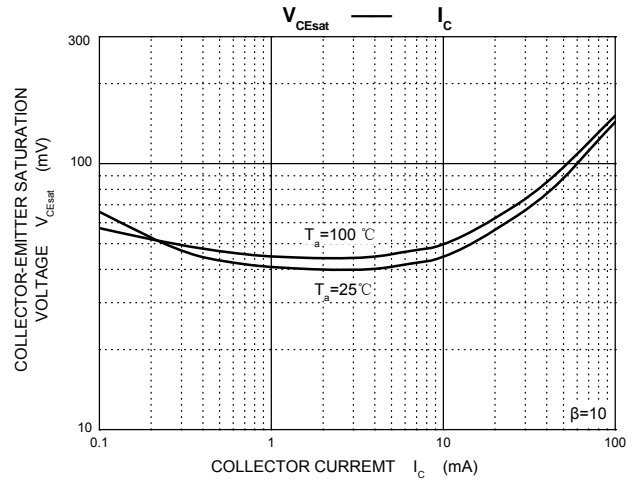
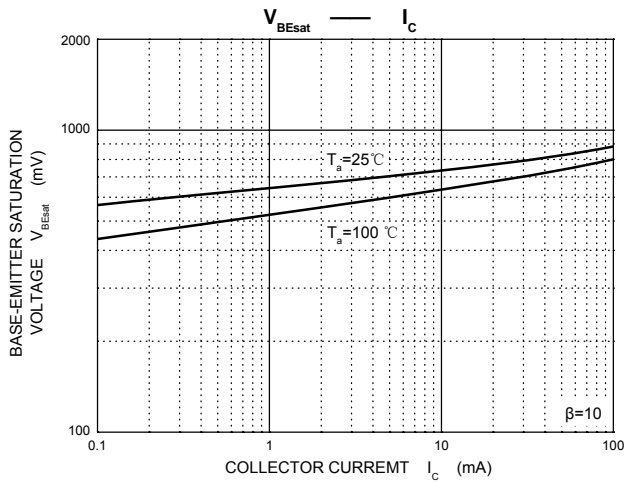
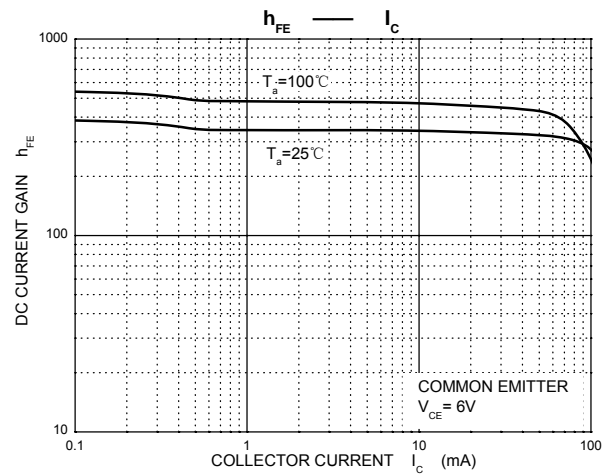
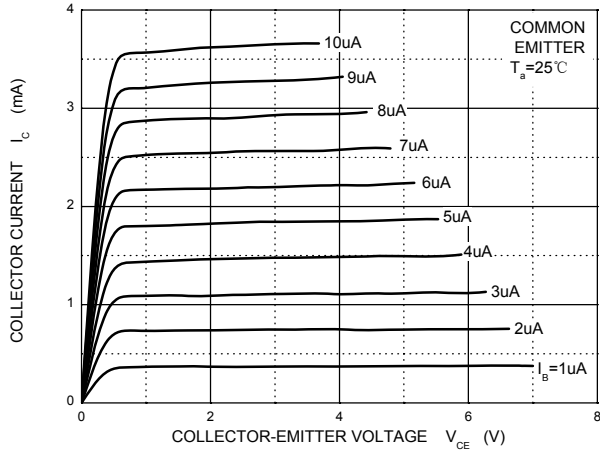
Parameter	Symbol	Min.	Typ.	Max.	Unit
DC Current Gain at $V_{CE} = 6\text{ V}$ , $I_C = 1\text{ mA}$ Current Gain Group	L4 L5 L6 L7	90 135 200 300	- - - -	180 270 400 600	-
Collector Base Cutoff Current at $V_{CB} = 60\text{ V}$	$I_{CBO}$	-	-	0.1	$\mu\text{A}$
Emitter Base Cutoff Current at $V_{EB} = 5\text{ V}$	$I_{EBO}$	-	-	0.1	$\mu\text{A}$
Collector Base Breakdown Voltage At $I_C = 100\text{ }\mu\text{A}$	$V_{(BR)CBO}$	60	-	-	V
Collector Emitter Breakdown Voltage at $I_C = 1\text{ mA}$	$V_{(BR)CEO}$	50	-	-	V
Emitter Base Breakdown Voltage at $I_E = 100\text{ }\mu\text{A}$	$V_{(BR)EBO}$	5	-	-	V
Collector Emitter Saturation Voltage at $I_C = 100\text{ mA}$ , $I_B = 10\text{ mA}$	$V_{CE(sat)}$	-	-	0.3	V
Base Emitter Saturation Voltage at $I_C = 100\text{ mA}$ , $I_B = 10\text{ mA}$	$V_{BE(sat)}$	-	-	1	V
Transition Frequency at $V_{CE} = 6\text{ V}$ , $I_C = 10\text{ mA}$	$F_T$	-	250	-	MHz



# MMBTSC1623

## NPN Transistor

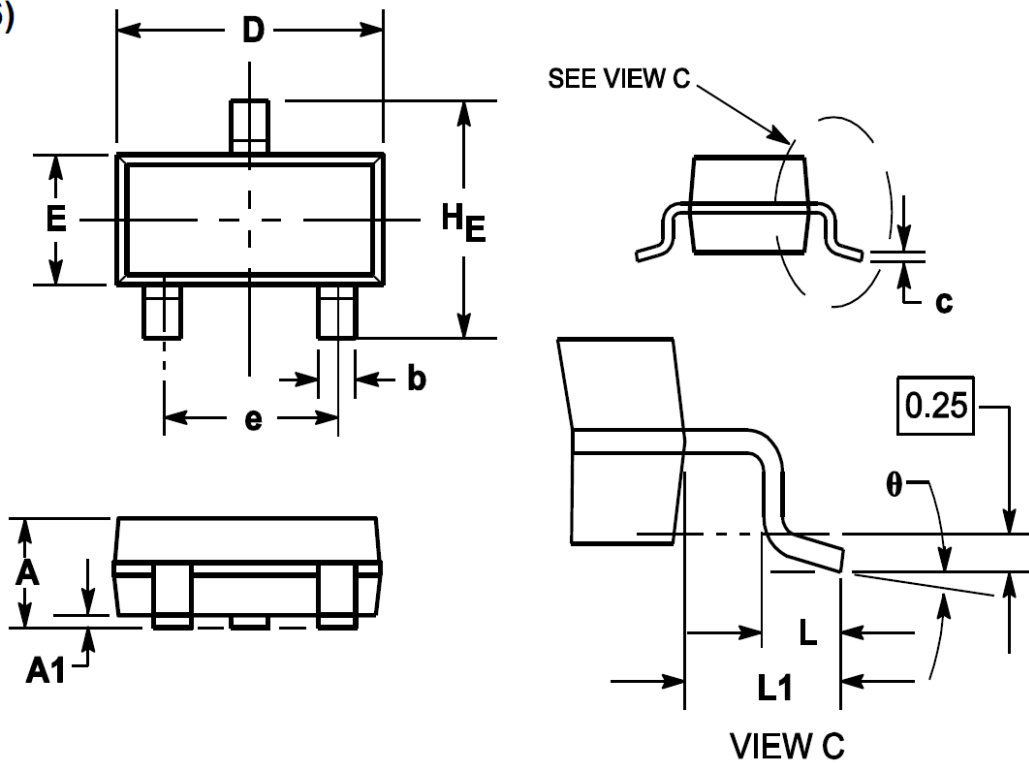
### Static Characteristic



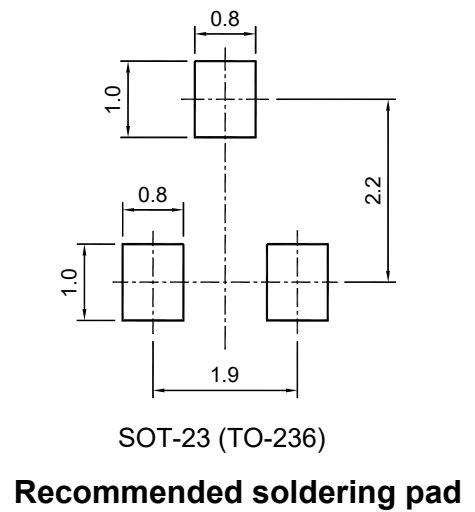


**Package Outline**

**SOT-23 (TO-236)**



Symbol	Dimensions in millimeter		
	Min.	Typ.	Max.
A	0.900	1.025	1.150
A1	0.000	0.050	0.100
b	0.300	0.400	0.500
c	0.080	0.115	0.150
D	2.800	2.900	3.000
E	1.200	1.300	1.400
HE	2.250	2.400	2.550
e	1.800	1.900	2.000
L1	0.550REF		
L	0.300		0.500
θ	0°		8°



**Ordering Information**

Device	Package	Shipping
MMBTSC1623	SOT-23	3,000/Tape & Reel (7 inches)

## X-ON Electronics

Largest Supplier of Electrical and Electronic Components

*Click to view similar products for [Bipolar Transistors - BJT category](#):*

*Click to view products by [Pingjingsemi manufacturer](#):*

Other Similar products are found below :

[619691C](#) [MCH4017-TL-H](#) [MJ15024/WS](#) [MJ15025/WS](#) [BC546/116](#) [BC556/FSC](#) [BC557/116](#) [BSW67A](#) [HN7G01FU-A\(T5L,F,T](#)  
[NJVMJD148T4G](#) [NSVMMBT6520LT1G](#) [NTE187A](#) [NTE195A](#) [NTE2302](#) [NTE2330](#) [NTE2353](#) [NTE316](#) [IMX9T110](#) [NTE63](#) [NTE65](#)  
[C4460](#) [SBC846BLT3G](#) [2SA1419T-TD-H](#) [2SA1721-O\(TE85L,F\)](#) [2SA1727TLP](#) [2SA2126-E](#) [2SB1202T-TL-E](#) [2SB1204S-TL-E](#) [2SC5488A-](#)  
[TL-H](#) [2SD2150T100R](#) [SP000011176](#) [FMC5AT148](#) [2N2369ADCSM](#) [2SB1202S-TL-E](#) [2SC2412KT146S](#) [2SC4618TLN](#) [2SC5490A-TL-H](#)  
[2SD1816S-TL-E](#) [2SD1816T-TL-E](#) [CMXT2207 TR](#) [CPH6501-TL-E](#) [MCH4021-TL-E](#) [BC557B](#) [TTC012\(Q\)](#) [BULD128DT4](#) [JANTX2N3810](#)  
[Jantx2N5416](#) [US6T6TR](#) [KSF350](#) [068071B](#)