



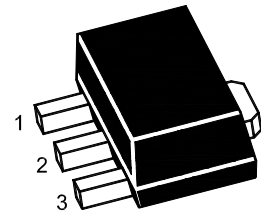
Features

- Maximum output current is 800mA
- Range of operation input voltage: Max 15V
- Line regulation: 0.03%/V (Typ.)

Applications

- LCD monitor and LCD TV
- Communication equipment
- Power management for computer

SOT-89



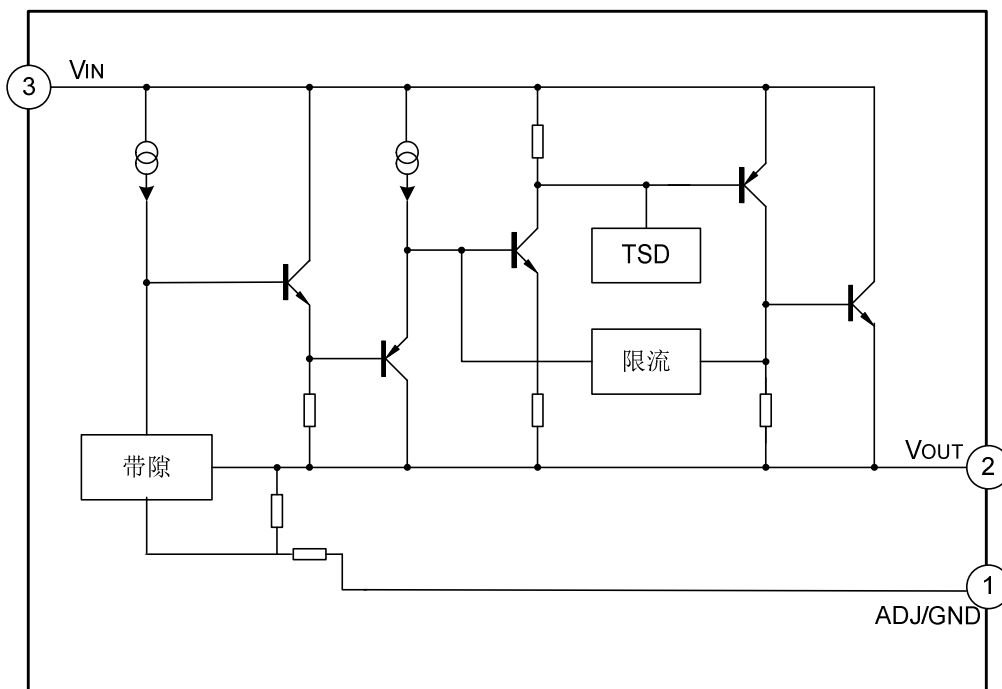
1.GND 2.VOUT 3.VIN

General Description

PJ1117SQ-3.3 is a low dropout three-terminal regulators with a dropout of 1.3V at 800mA load current. Its features a very low standby current 2mA compared to 5mA of competitor.

It offers thermal shut down function, to assure the stability of chip and power system. And it uses trimming technique to guarantee output voltage accuracy within $\pm 2\%$.

Block Diagram





Absolute Maximum Ratings ($T_A=25^{\circ}\text{C}$ unless otherwise specified)

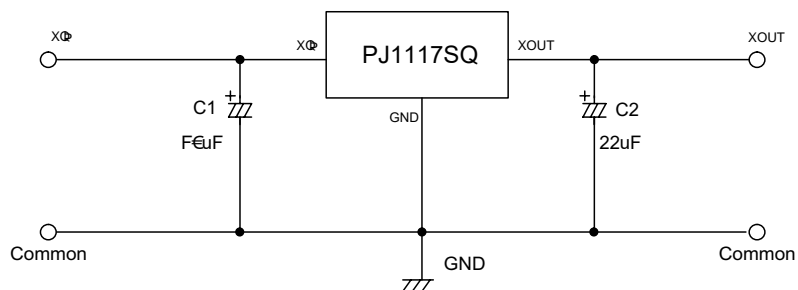
Symbol	Parameter	Rating	Units
V_{IN}	Supply Voltage	15	V
T_{OPR}	Operating Temperature	-40 ~ +125	$^{\circ}\text{C}$
T_{STG}	Storage Temperature	-40 ~ +150	$^{\circ}\text{C}$
$R_{\theta JA}$	Junction-to-Ambient	45	$^{\circ}\text{C/W}$

Note: These are stress ratings only. Stresses exceeding the range specified under Absolute Maximum Ratings may cause substantial damage to the device. Functional operation of this device at other conditions beyond those listed in the specification is not implied and prolonged exposure to extreme conditions may affect device reliability.

Electrical Characteristics ($T_A=25^{\circ}\text{C}$)

Symbol	Parameter	Test Conditions	Min.	Typ.	Max.	Units
V_{OUT}	Output Voltage	$0 \leq I_{OUT} \leq 800\text{mA}$, $4.75\text{V} \leq V_{IN} \leq 12\text{V}$	3.234	3.3	3.366	V
ΔV_{OUT}	Load Regulation	$10\text{mA} \leq I_{OUT} \leq 800\text{mA}$, $V_{IN}=4.8\text{V}$		6	24	mV
V_D	Voltage Drop	$I_{OUT}=800\text{mA}$		1.3	1.5	V
I_Q	Quiescent Current	$V_{IN}=12\text{V}$		5	10	mA
ΔV_{OUT}	Line Regulation	$4.8\text{V} \leq V_{IN} \leq 12\text{V}$ $I_{OUT}=10\text{mA}$		0.03	0.2	%/V
$\frac{\Delta V_{OUT}}{\Delta T_A}$	Temperature Coefficient			± 100		ppm

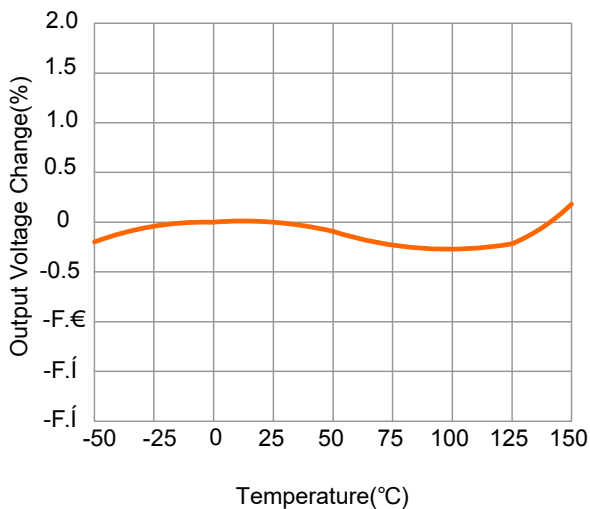
Application Circuits



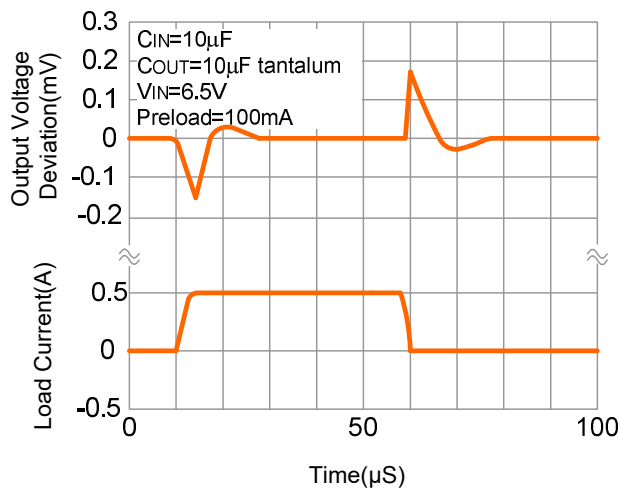


Electrical Characteristics Curves

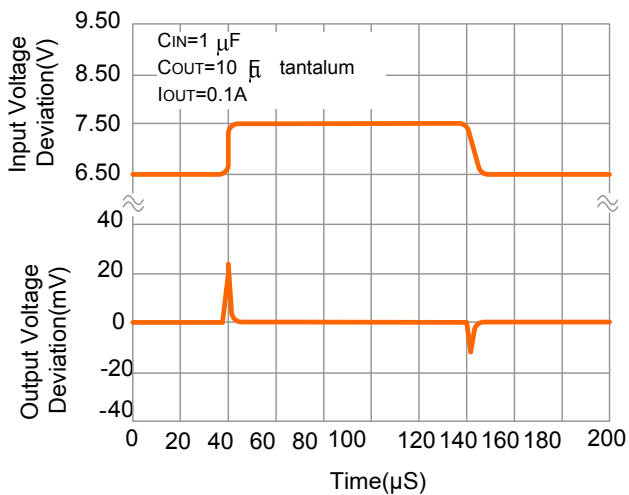
Temperature stability



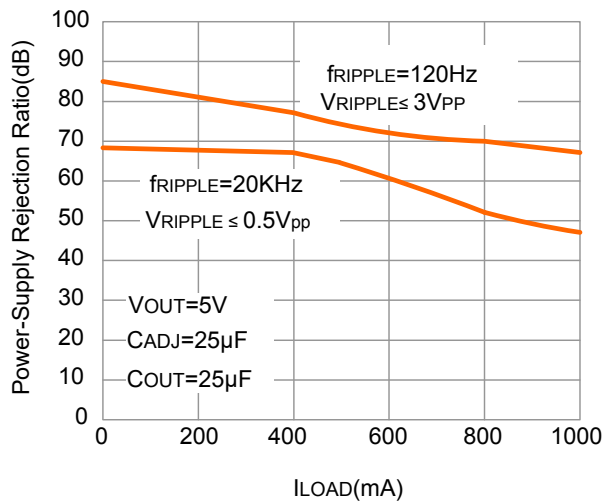
Load Transient Response



Line Transient Response



Ripple suppression VS Current

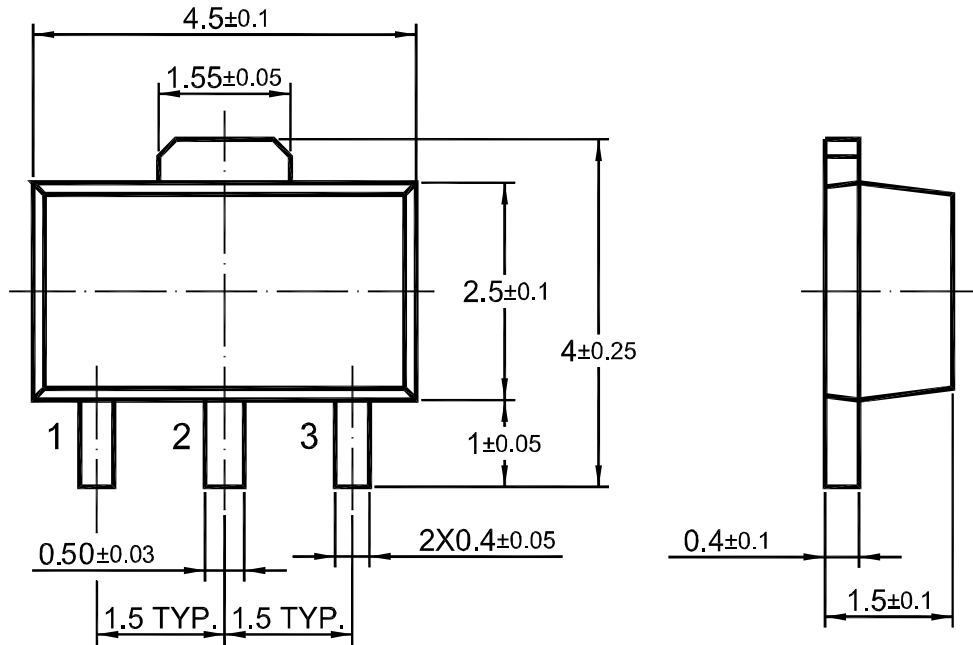




Package Outline

SOT-89

Dimensions in mm



Ordering information

Device	Package	Shipping
PJ1117SQ-3.3	SOT-89	1000PCS/Reel&Tape

X-ON Electronics

Largest Supplier of Electrical and Electronic Components

Click to view similar products for [LDO Voltage Regulators](#) category:

Click to view products by [Pingjingsemi](#) manufacturer:

Other Similar products are found below :

[M38D29FFHP#U1](#) [702103A](#) [717726C](#) [742457H](#) [MP20051DN-LF-Z](#) [R5F111PGGFB#30](#) [AP7363-SP-13](#) [NCP103AMX285TCG](#)
[NCV8664CST33T3G](#) [NCV8752AMX28TCG](#) [L9454](#) [AP7362-HA-7](#) [LX13043CLD](#) [TCR3DF185,LM\(CT](#) [TCR3DF24,LM\(CT](#)
[TCR3DF285,LM\(CT](#) [TCR3DF31,LM\(CT](#) [TCR3DF45,LM\(CT](#) [TLF4949EJ](#) [L9708](#) [L970813TR](#) [030014BB](#) [059985X](#) [EAN61387601](#)
[EAN61573601](#) [NCP121AMX173TCG](#) [NCP4687DH15T1G](#) [NCV8703MX30TCG](#) [701326R](#) [702087BB](#) [755078E](#) [TCR2EN28,LF\(S](#)
[LM1117DT-1.8/NO](#) [LT1086CM#TRPBF](#) [AZ1085S2-1.5TRE1](#) [MAX15101EWL+T](#) [NCV8170AXV250T2G](#) [SCD337BTG](#)
[TCR3DF27,LM\(CT](#) [TCR3DF19,LM\(CT](#) [TCR3DF125,LM\(CT](#) [TCR2EN18,LF\(S](#) [MAX15103EWL+T](#) [TS2937CZ-5.0 C0](#) [MAX8878EUK30-](#)
[T](#) [MAX663CPA](#) [NCV4269CPD50R2G](#) [NCV8716MT30TBG](#) [AZ1117IH-1.2TRG1](#) [MP2013GQ-P](#)