



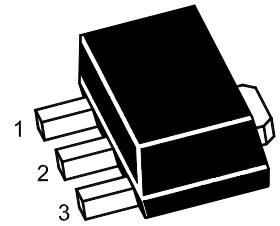
# PJ78L05SQ-N

## 3-Terminal Voltage Regulator

### Features

- Input voltage: up to 35V
- Output: 5V
- Output current up to 100 mA, internal thermal overload protection and short-circuit current limiting.

SOT-89



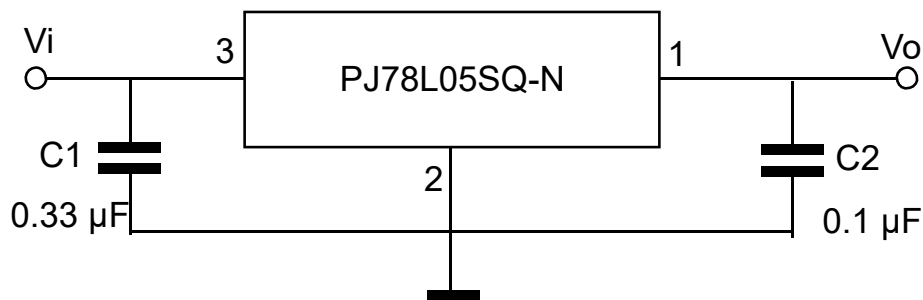
1. OUT 2. GND 3. IN

Marking Code : 78L05

### Absolute Maximum Ratings

Ratings at 25°C ambient temperature unless otherwise specified.

Parameter	Symbol	Value	Unit
Input Voltage	$V_I$	35	V
Output Current	$I_O$	100	mA
Junction Temperature	$T_J$	150	°C
Storage Temperature Range	$T_{STG}$	-55 to +150	°C





# PJ78L05SQ-N

## 3-Terminal Voltage Regulator

### Electrical Characteristics

Ratings at 25°C ambient temperature unless otherwise specified.

Parameter	Symbol	Test Conditions	Min.	Typ.	Max.	Unit
Output Voltage	$V_o$	$V_i=10V, I_o=40mA$	4.85	5.0	5.15	V
		$I_o=1mA$ to 40mA, $V_i=7V$ to 25V	4.8	--	5.2	V
		$I_o=1mA$ to 100mA	4.75	--	5.25	V
Line Regulation	$\Delta V_o$	$V_i=7V$ to 25V, $T_J=25^\circ C$	--	18	75	mV
		$V_i=8V$ to 25V, $T_J=25^\circ C$	--	10	54	mV
Load Regulation	$\Delta V_o$	$I_o=1mA$ to 100mA, $T_J=25^\circ C$	--	20	60	mV
		$I_o=1mA$ to 40 mA, $T_J=25^\circ C$	--	5	30	mV
Ripple Rejection	RR	$V_i=8V$ to 16V, $f=100Hz, T_J=25^\circ C$	47	62	--	dB
Quiescent Current	$I_q$		--	3.75	6	mA
Quiescent Current Change	$\Delta I_q$	$V_i=8V$ to 25V	--	--	1.0	mA
		$I_o=1mA$ to 40mA	--	--	0.3	mA
Output Noise Voltage	$V_N$	$10Hz \leq f \leq 100KHz, T_J=25^\circ C$	--	40	--	$\mu V$



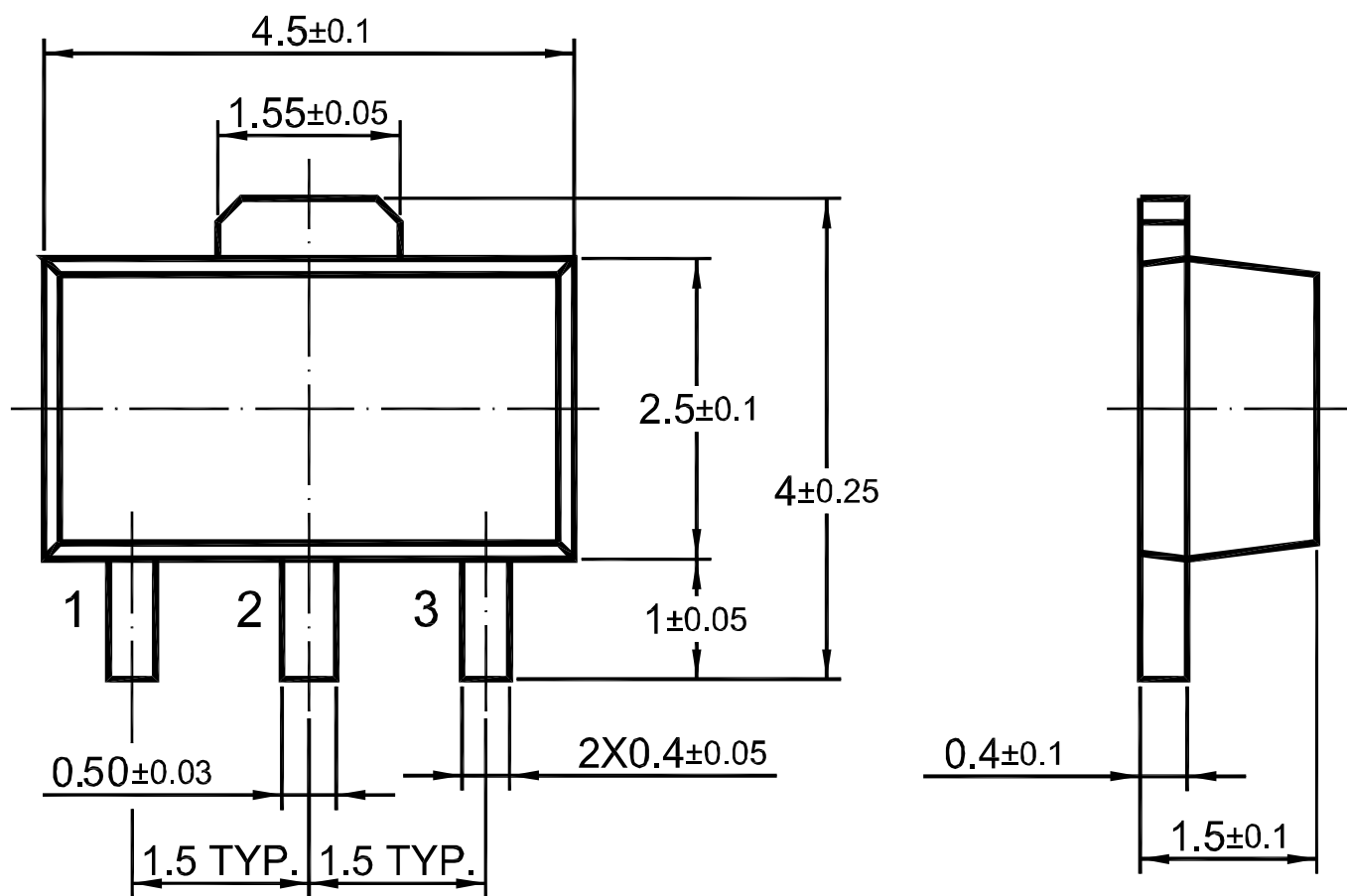
# PJ78L05SQ-N

## 3-Terminal Voltage Regulator

### Package Outline

SOT-89

Dimensions in mm



### Ordering Information

Device	Package	Shipping
PJ78L05SQ-N	SOT-89	3,000PCS/Reel&13inches

## X-ON Electronics

Largest Supplier of Electrical and Electronic Components

*Click to view similar products for [Linear Voltage Regulators](#) category:*

*Click to view products by [Pingjingsemi](#) manufacturer:*

Other Similar products are found below :

[LV56831P-E](#) [LV5684PVD-XH](#) [MCDTSA6-2R](#) [L7815ACV-DG](#) [PQ3DZ53U](#) [LV56801P-E](#) [TLE42794G](#) [L78L05CZ/1SX](#) [L78LR05DL-MA-E](#) [636416C](#) [714954EB](#) [ZMR500QFTA](#) [LV5680P-E](#) [L78M15CV-DG](#) [L79M05T-E](#) [TLS202A1MBVHTSA1](#) [L78LR05D-MA-E](#) [NCV317MBTG](#) [NTE7227](#) [MP2018GZD-33-P](#) [MP2018GZD-5-P](#) [LV5680NPVC-XH](#) [LT1054CN8](#) [MP2018GZD-5-Z](#) [MP2018GZD-33-Z](#) [AT55EL50ESE](#) [APL5934DKAI-TRG](#) [78L05U](#) [78L05](#) [CL9193A15L5M](#) [CL9036A30F4M](#) [CL9036A18F4M](#) [CL9036A25F4M](#) [CL9036A28F4M](#) [CL9036A33F4M](#) [CL9906A18F4N](#) [CL9906A30F4N](#) [CL9908A30F4M](#) [CL9908A33F4M](#) [CL9908A18F4M](#) [CL9908A28F4M](#) [TL431ACM/TR](#) [TL431AIM/TR](#) [LM78L05ACM/TR](#) [HT7812ARMZ](#) [HT7805ARMZ](#) [HT317LRHZ](#) [HXY6206I-3.0](#) [HXY6206I-3.3](#) [XC6206P252MR](#) [XC6206P282MR](#)