



PJM09P30DF

P-Channel Enhancement Mode Power MOSFET

Product Summary

- $V_{DS} = -30V, I_D = -9A$
- $R_{DS(on)} < 25m\Omega @ V_{GS} = -10V$
- $R_{DS(on)} < 45m\Omega @ V_{GS} = -4.5V$

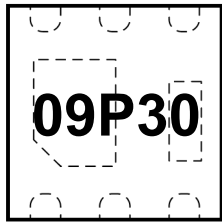
Features

- Advanced Trench Technology
- RoHS and Reach Compliant
- Halogen and Antimony Free
- Moisture Sensitivity Level 1

Application

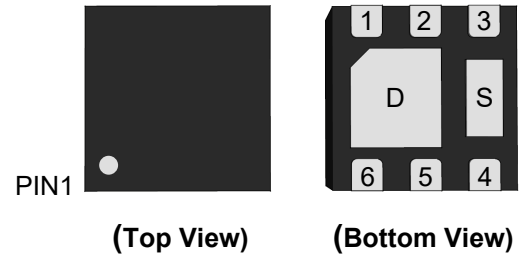
- Load Switch
- PWM Applications
- Power Management

Marking Code



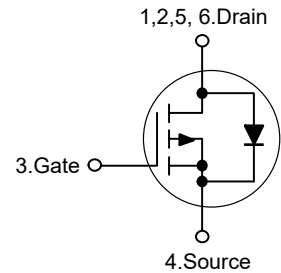
Top View

DFN2x2-6L



Pin	Description
1,2,5,6	Drain
3	Gate
4	Source

Schematic Diagram



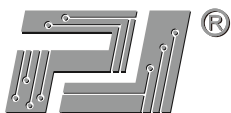
Absolute Maximum Ratings

Ratings at 25°C ambient temperature unless otherwise specified.

Parameter	Symbol	Value	Unit
Drain-Source Voltage	$-V_{DS}$	30	V
Gate-Source Voltage	V_{GS}	± 20	V
Drain Current-Continuous	$-I_D$	9	A
Drain Current-Pulsed ^{Note1}	$-I_{DM}$	50	A
Single Pulsed Avalanche Energy ^{Note2}	E_{AS}	36	mJ
Maximum Power Dissipation	P_D	2	W
Junction Temperature	T_J	150	°C
Storage Temperature Range	T_{STG}	-55 to +150	°C

Thermal Characteristics

Thermal Resistance, Junction-to-Ambient	$R_{\theta JA}$	62.5	°C/W
---	-----------------	------	------



PJM09P30DF

P-Channel Enhancement Mode Power MOSFET

Electrical Characteristics

(Ta=25°C unless otherwise specified)

Parameter	Symbol	Test Condition	Min.	Typ.	Max.	Unit
Static Characteristics						
Drain-Source Breakdown Voltage	$-V_{(BR)DSS}$	$V_{GS}=0V, I_D=-250\mu A$	30	--	--	V
Zero Gate Voltage Drain Current	$-I_{DSS}$	$V_{DS}=-30V, V_{GS}=0V$	--	--	1	μA
Gate-Body Leakage Current	I_{GSS}	$V_{GS}=\pm 20V, V_{DS}=0V$	--	--	± 100	nA
Gate Threshold Voltage ^{Note3}	$-V_{GS(th)}$	$V_{DS}=V_{GS}, I_D=-250\mu A$	1.0	--	2.5	V
Drain-Source On-Resistance ^{Note3}	$R_{DS(on)}$	$V_{GS}=-10V, I_D=-6.5A$	--	19	25	m Ω
		$V_{GS}=-4.5V, I_D=-5A$	--	28	45	m Ω
Dynamic Characteristics						
Input Capacitance	C_{iss}	$V_{DS}=-15V, V_{GS}=0V, f=1MHz$	--	1030	--	pF
Output Capacitance	C_{oss}		--	155	--	pF
Reverse Transfer Capacitance	C_{rss}		--	132	--	pF
Total Gate Charge	Q_g	$V_{DS}=-15V, I_D=-8A, V_{GS}=-10V$	--	52	--	nC
Gate-Source Charge	Q_{gs}		--	9.8	--	nC
Gate-Drain Charge	Q_{gd}		--	8.3	--	nC
Switching Characteristics						
Turn-on Delay Time	$t_{d(on)}$	$V_{DD}=-15V, I_D=-1A, V_{GS}=-10V, R_{GEN}=6\Omega$	--	13	--	nS
Turn-on Rise Time	t_r		--	15	--	nS
Turn-off Delay Time	$t_{d(off)}$		--	198	--	nS
Turn-off Fall Time	t_f		--	98	--	nS
Source-Drain Diode Characteristics						
Diode Forward Voltage ^{Note3}	$-V_{SD}$	$V_{GS}=0V, I_S=-9A$	--	--	1.2	V
Diode Forward Current	$-I_S$		--	--	9	A

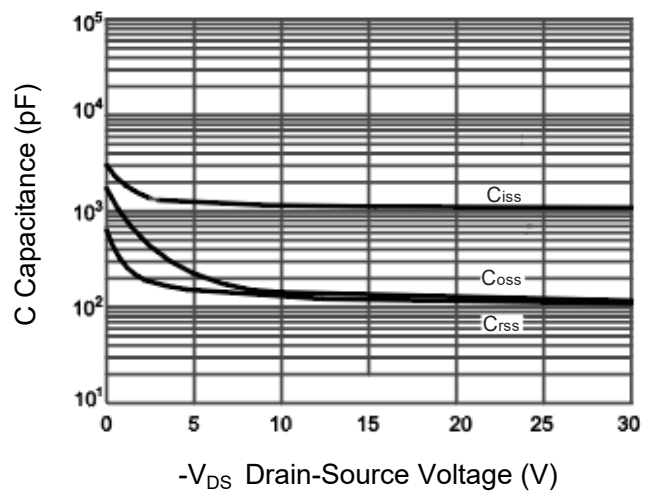
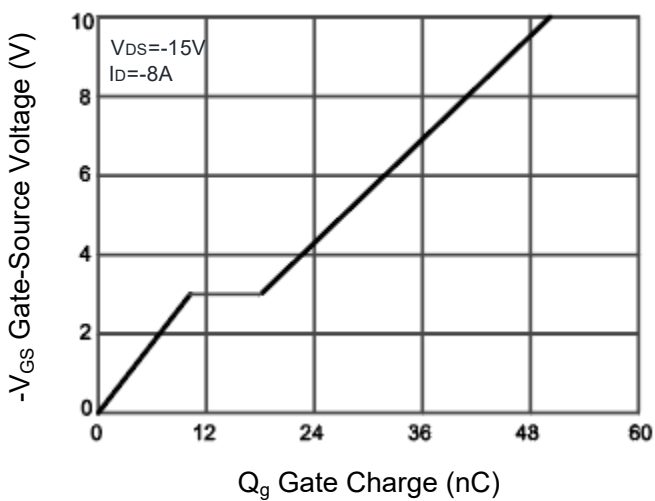
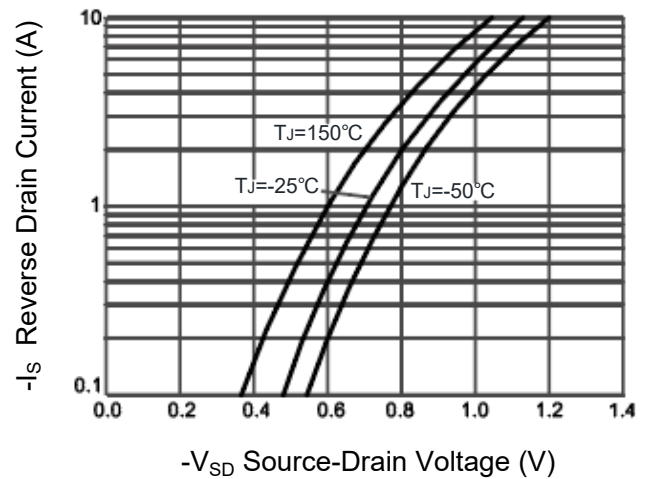
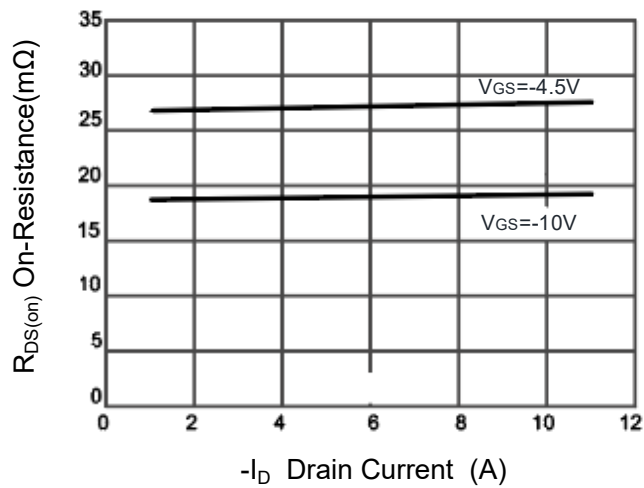
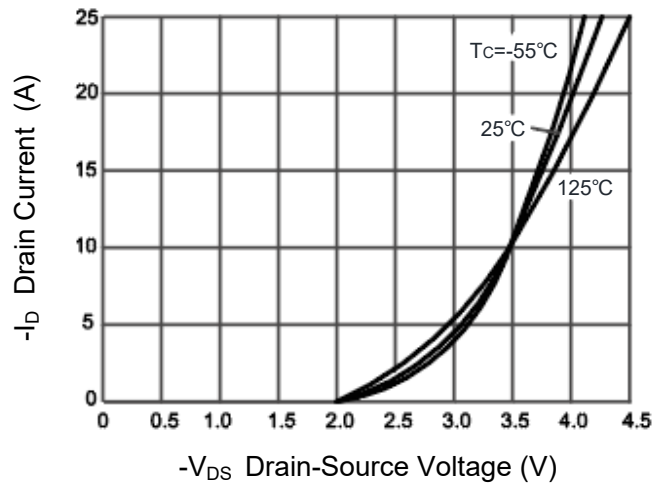
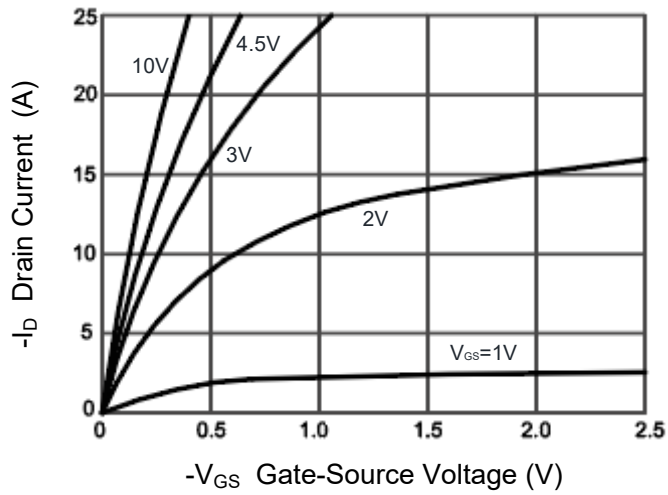
Note: 1. 10 μ s Pulse, duty cycle=1%

2. The test condition is $V_{DD}=-20V, V_{GS}=-10V, L=0.5mH, I_{AS}=-12A, R_G=25\Omega, T_J=25^\circ C$.

3. Pulse Test: Pulse width \leq 300 μ s, duty cycle \leq 2%



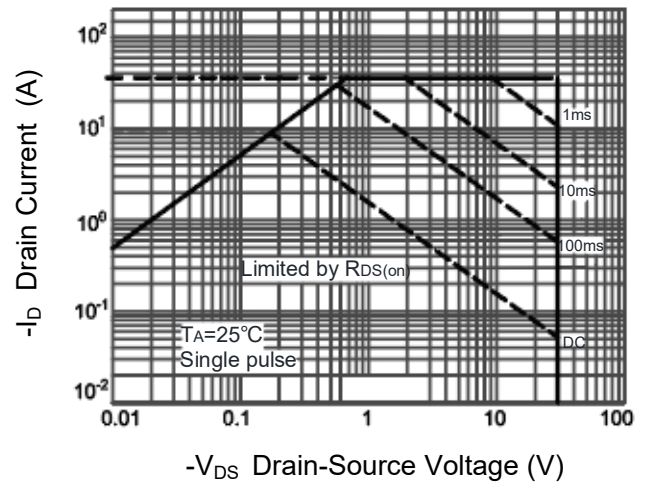
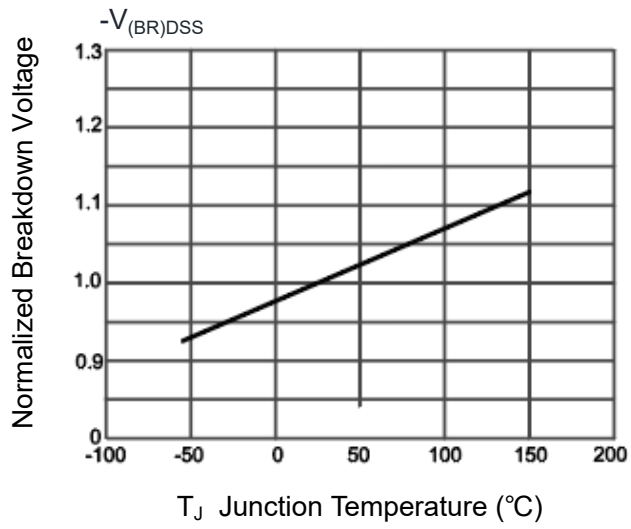
Typical Characteristic Curves





PJM09P30DF

P-Channel Enhancement Mode Power MOSFET





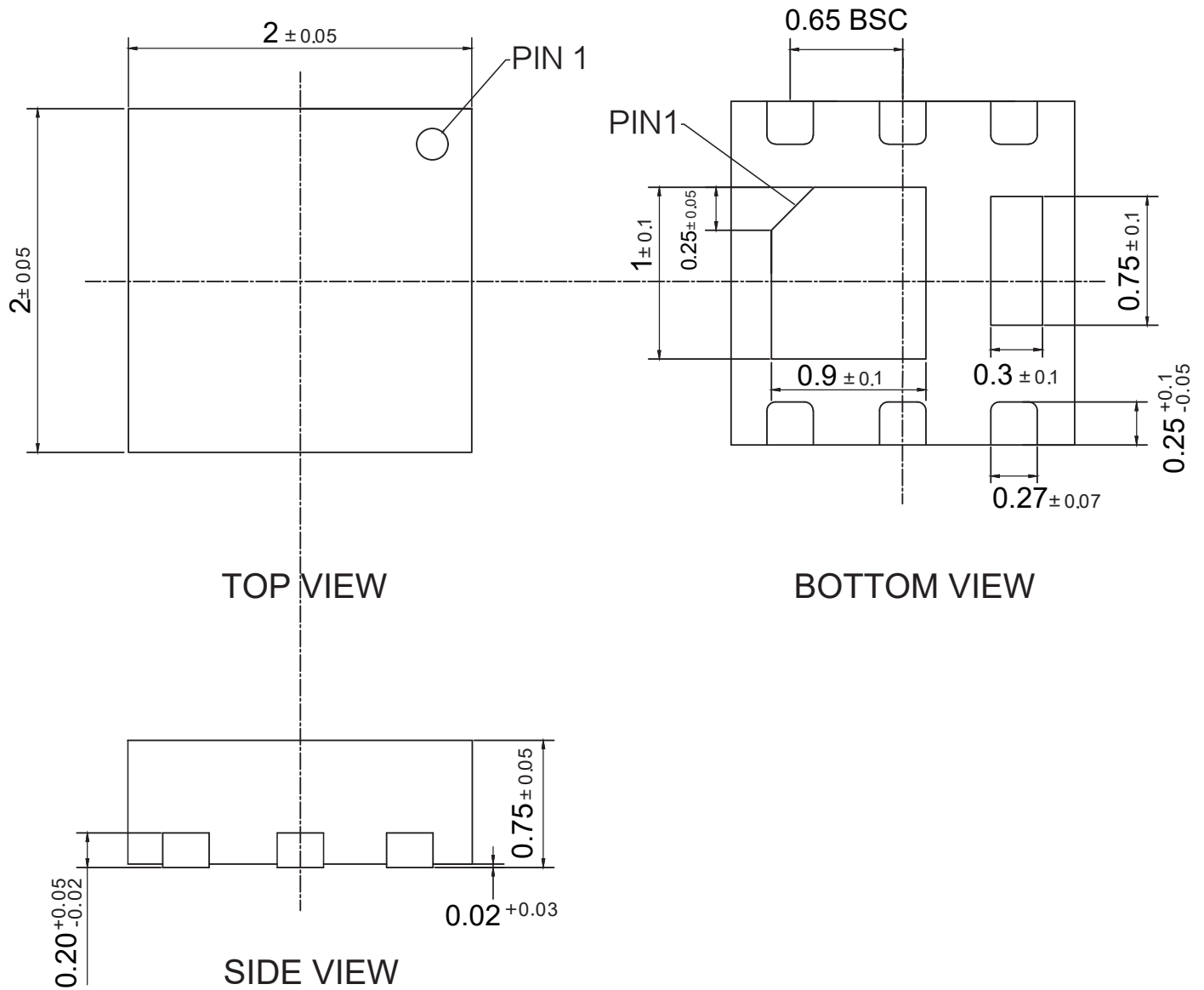
PJM09P30DF

P-Channel Enhancement Mode Power MOSFET

Package Outline

DFN2x2-6L-0001

Dimensions in mm



Ordering Information

Device	Package	Shipping
PJM09P30DF	DFN2x2-6L	3,000PCS/Reel&7inches

X-ON Electronics

Largest Supplier of Electrical and Electronic Components

Click to view similar products for [MOSFET](#) category:

Click to view products by [Pingjingsemi](#) manufacturer:

Other Similar products are found below :

[IRFD120](#) [IRFY240C](#) [JANTX2N5237](#) [2SK2267\(Q\)](#) [BUK455-60A/B](#) [MIC4420CM-TR](#) [VN1206L](#) [NDP4060](#) [SI4482DY](#)
[IPS70R2K0CEAKMA1](#) [SQD23N06-31L-GE3](#) [TK16J60W,S1VQ\(O](#) [2SK2614\(TE16L1,Q\)](#) [DMN1017UCP3-7](#) [EFC2J004NUZTDG](#)
[DMN1053UCP4-7](#) [SQJ469EP-T1-GE3](#) [NTE2384](#) [DMC2700UDMQ-7](#) [DMN2080UCB4-7](#) [DMN61D9UWQ-13](#) [US6M2GTR](#)
[DMN31D5UDJ-7](#) [DMP22D4UFO-7B](#) [DMN1006UCA6-7](#) [DMN16M9UCA6-7](#) [STF5N65M6](#) [IRF40H233XTMA1](#) [STU5N65M6](#)
[DMN6022SSD-13](#) [DMN13M9UCA6-7](#) [DMTH10H4M6SPS-13](#) [DMN2990UFB-7B](#) [IPB80P04P405ATMA2](#) [2N7002W-G](#) [MCAC30N06Y-](#)
[TP](#) [MCQ7328-TP](#) [NTMC083NP10M5L](#) [NVMFS2D3P04M8LT1G](#) [BXP7N65D](#) [BXP4N65F](#) [AOL1454G](#) [WMJ80N60C4](#) [BXP2N20L](#)
[BXP2N65D](#) [BXT1150N10J](#) [BXT1700P06M](#) [TSM60NB380CP](#) [ROG](#) [RQ7L055BGTCR](#) [DMNH15H110SK3-13](#)