

DSS115

1.0 AMP. SURFACE MOUNT GENERAL PURPOSE SCHOTTKY BARRIER RECTIFIERS

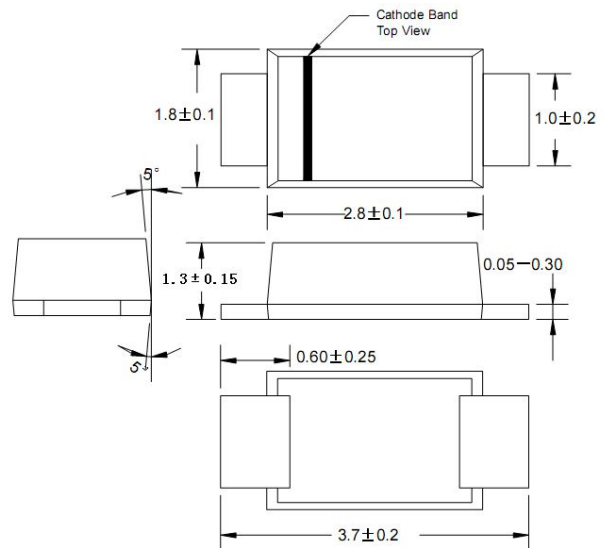
FEATURES

- For surface mounted application
- High current capability
- Low forward voltage drop
- Low power loss, high efficiency
- High surge current capability
- High temperature soldering guaranteed:
250°C/10 seconds at terminals.

MECHANICAL DATA

- Case: JEDEC SOD-123FL, molded plastic over passivated chip
- Terminals: Solder Plated, solderable per MIL-STD-750, Method 2026
- Polarity: Color band denotes cathode end
- Weight: 0.006 ounces, 0.02 gram
- Mounting position: Any

SOD-123FL



Dimensions in millimeters

MAXIMUM RATINGS AND ELECTRICAL CHARACTERISTICS

Ratings at 25°C ambient temperature unless otherwise specified.

Single phase, half wave, 60Hz, resistive or inductive load.

For capacitive load, derate current by 20%.

| Type Number | SYM | DSS115 | units |
|---|-------------|-------------|---------------------------|
| | BOL | | |
| | marking | D115 | |
| Maximum Recurrent Peak Reverse Voltage | V_{RRM} | 150 | V |
| Maximum RMS Voltage | V_{RMS} | 105 | V |
| Maximum DC Blocking Voltage | V_{DC} | 150 | V |
| Maximum Average Forward rectified Current at $T_L = 90^\circ\text{C}$ | $I_{F(AV)}$ | 1.0 | A |
| Peak Forward Surge Current 8.3ms single half sine-wave superimposed on rate load (JEDEC method) | I_{FSM} | 30.0 | A |
| Maximum Instantaneous forward Voltage at 1.0 A DC | V_F | 0.95 | V |
| Maximum DC Reverse Current @ $T_A = 25^\circ\text{C}$ at rated DC blocking voltage @ $T_A = 100^\circ\text{C}$ | I_R | 0.05 5.0 | mA |
| Typical Junction Capacitance (Note 1) | C_J | 28 | pF |
| Typical thermal resistance (Note 2) | $R_{(JA)}$ | 180 | $^\circ\text{C}/\text{W}$ |
| Storage Temperature Range | T_{STG} | -55 to +150 | $^\circ\text{C}$ |
| Operation Temperature Range | T_J | -55 to +150 | $^\circ\text{C}$ |

Note:

1. Measured at 1MHz and applied reverse voltage of 4.0 volts d.c.
2. Measured on P.C.Board with $0.2 \times 0.2''$ ($5.0 \times 5.0\text{mm}$) Copper Pad Areas

RATING AND CHARACTERISTIC CURVES (DSS115)

FIG.1-TYPICAL FORWARD CURRENT DERATING CURVE

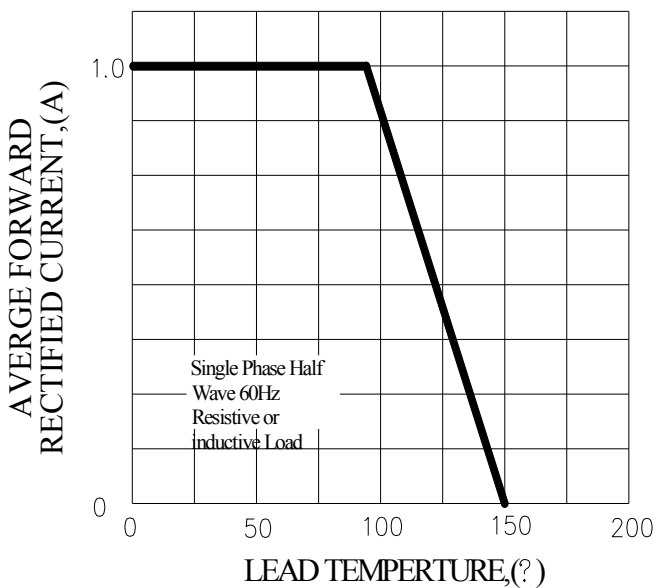


FIG.2-TYPICAL INSTANTANEOUS FORWARD CHARACTERISTICS

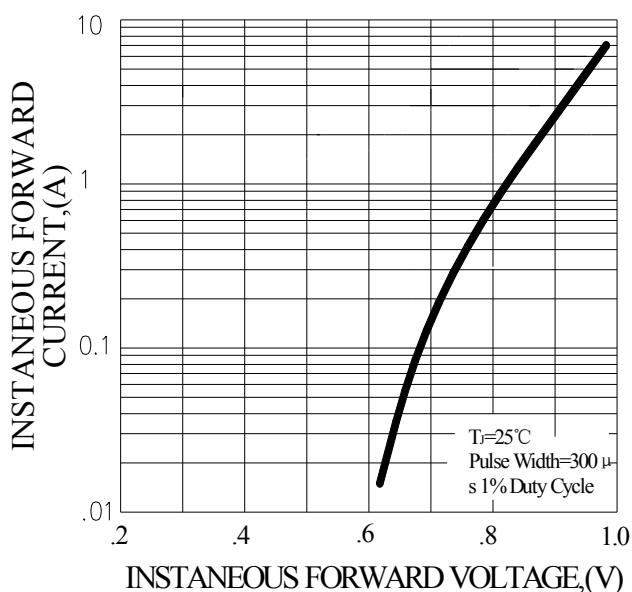


FIG.3-MAXIMUM NON-REPETTIVE FORWARD SURGE CURRENT

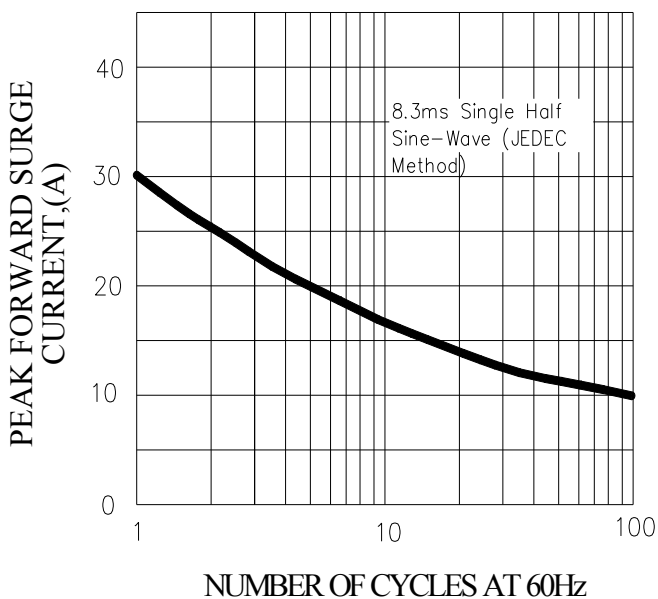
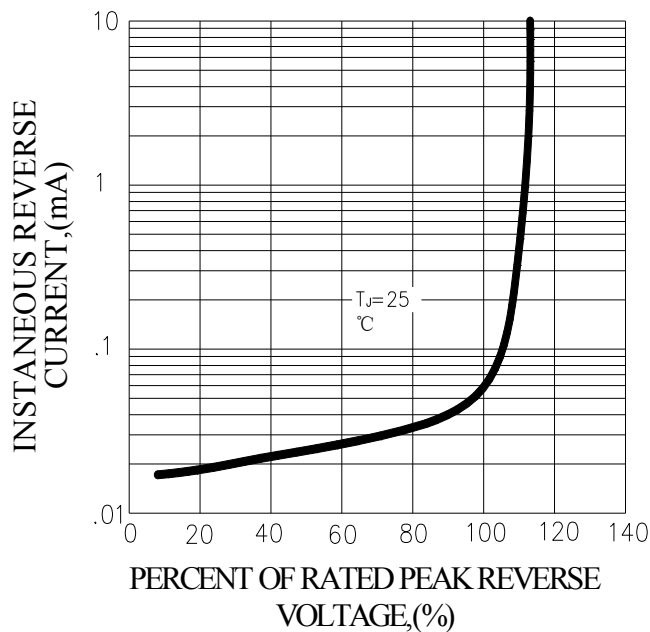
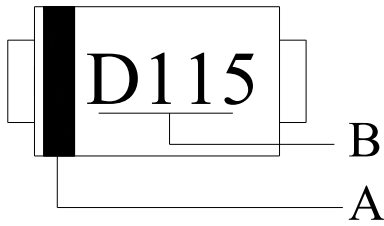


FIG.4-TYPICAL REVERSE CHARACTERISTICS



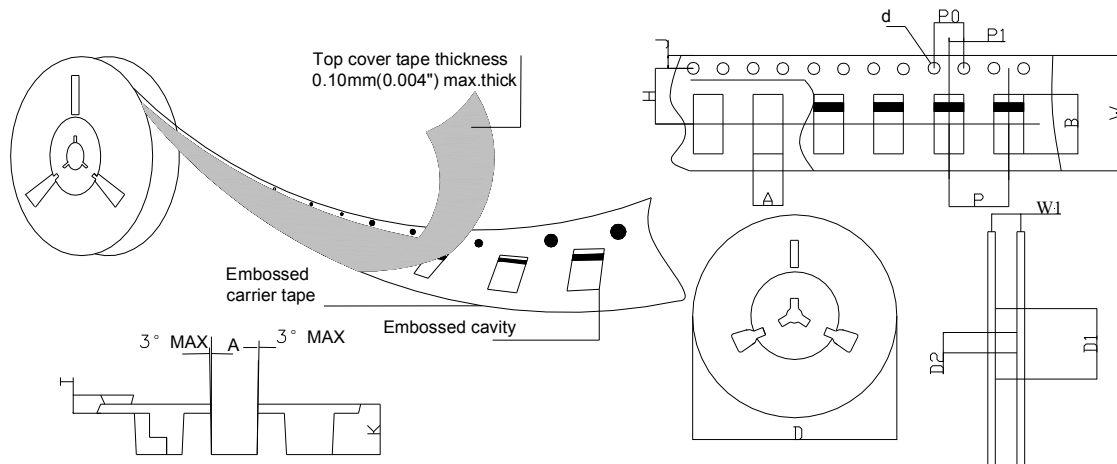
Marking and packaging illustration

1、Marking



| SYMBOL | Explanation |
|--------|----------------------------|
| A | Color Band Denotes Cathode |
| B | Product Name |

2、Packaging



| SPECIFICATIONS mm(inch) | | PACKAGE |
|----------------------------|----|-----------------|
| SYMBOL | | SOD-123FL |
| ITEM | | |
| Carrier width | A | 2.1(0.083)Max |
| Carrier length | B | 4.0(0.157)Max |
| Sprocket hole | d | ø1.55(0.061)Typ |
| Reel outer diameter | D | 177.8(7)Typ |
| Reel inner diameter | D1 | 50.0(1.969)Min |
| Feed hole diameter | D2 | 13.0(0.512)Typ |
| Sprocket hole position | J | 1.75(0.069)Typ |
| Punch hole position | H | 3.50(0.138)Typ |
| Carrier depth | K | 1.60(0.063)Typ |
| Punch hole pitch | P | 4.00(0.157)Typ |
| Sprocket hole pitch | P0 | 4.00(0.157)Typ |
| Embossment center | P1 | 2.00(0.079)Typ |
| Overall tape thickness | T | 0.25(0.098)Typ |
| Tape width | W | 8.15(0.321)Typ |
| Reel width | W1 | 10.5(0.413)Min |

X-ON Electronics

Largest Supplier of Electrical and Electronic Components

Click to view similar products for [Schottky Diodes & Rectifiers](#) category:

Click to view products by [Pingwei](#) manufacturer:

Other Similar products are found below :

[CUS06\(Te85L,Q,M\)](#) [MA4E2039](#) [D1FH3-5063](#) [MBR0530L-TP](#) [MBR10100CT-BP](#) [MBR30H100MFST1G](#) [MMBD301M3T5G](#) [PMAD1103-LF](#) [PMAD1108-LF](#) [RB160M-50TR](#) [RB520S-30](#) [RB551V-30](#) [DD350N18K](#) [DZ435N40K](#) [DZ600N16K](#) [BAS16E6433HTMA1](#) [BAS 3010S-02LRH E6327](#) [BAT 54-02LRH E6327](#) [IDL02G65C5XUMA1](#) [NSR05F40QNXT5G](#) [NSVR05F40NXT5G](#) [JANS1N6640](#) [SB07-03C-TB-H](#) [SB1003M3-TL-W](#) [SBAT54CWT1G](#) [SBM30-03-TR-E](#) [SBS818-TL-E](#) [SK32A-LTP](#) [SK33A-TP](#) [SK34A-TP](#) [SK34B-TP](#) [SMD1200PL-TP](#) [ACDBN160-HF](#) [SS3003CH-TL-E](#) [STPS30S45CW](#) [PDS3100Q-7](#) [GA01SHT18](#) [CRS10I30A\(Te85L,QM\)](#) [MBR1240MFST1G](#) [MBRB30H30CT-1G](#) [BAS28E6433HTMA1](#) [BAS 70-02L E6327](#) [HSB123JTR-E](#) [JANTX1N5712-1](#) [VS-STPS40L45CW-N3](#) [DD350N12K](#) [SB007-03C-TB-E](#) [SB10015M-TL-E](#) [SB1003M3-TL-E](#) [SK110-LTP](#)