

PS840L

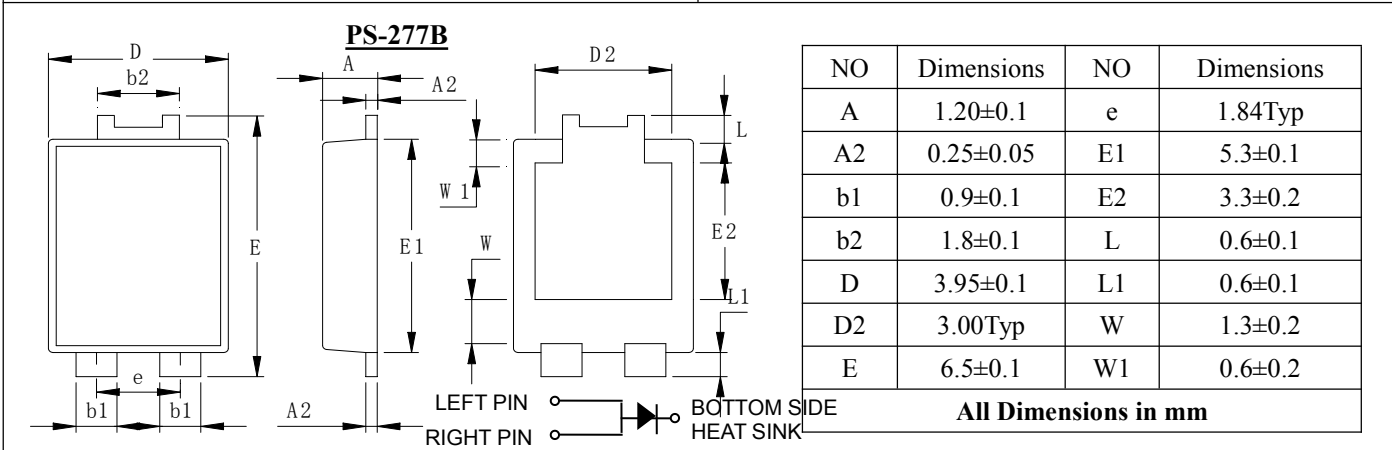
8.0AMPS. SCHOTTKY BARRIER RECTIFIERS

FEATURE

- . For surface mounted application
- . High current capability
- . Low forward voltage drop
- . Low power loss, high efficiency
- . High surge current capability
- . High temperature soldering guaranteed:
260°C/10 seconds at terminals.

MECHANICAL DATA

- . Terminal: Solder plated
- . Case: Molded with UL-94 Class V-0 recognized
Flame Retardant Epoxy (Halogen free)



Single phase, half wave, 60Hz, resistive or inductive load.

For capacitive load, derate current by 20%

MAXIMUM RATINGS (T_C=25°C unless otherwise noted)

| Parameter | Symbol | PS840L | Units |
|---|-----------------------------------|-------------|-------|
| Maximum Recurrent Peak Reverse Voltage | V _{RRM} | 40 | V |
| Maximum RMS Voltage | V _{RMS} | 28 | V |
| Maximum DC blocking Voltage | V _{DC} | 40 | V |
| Average Forward Rectified Current at T _L ≤ 100°C | I _{F(AV)} | 8 | A |
| Non-repetitive forward surge current, 8.3ms Half sine-wave | I _{FSM} | 175 | A |
| Typical Junction Capacitance (Note1) | C _J | 600 | pF |
| Operation Junction Temperature and Storage Temperature | T _J , T _{STG} | -55 to +150 | °C |

ELECTRICAL CHARACTERISTICS (T_C=25°C unless otherwise noted)

| Parameter | Symbol | Min | Typ | Max | Units |
|--|----------------|-------|------------------------|-------|-------|
| Instantaneous Forward voltage at 8A | V _F | ----- | 0.42 | 0.45 | V |
| | | | @T _J =125°C | ----- | |
| reverse current at rated DC blocking voltage | I _R | ----- | ----- | 0.2 | mA |
| | | | @T _J =125°C | ----- | |

THERMAL CHARACTERISTICS (T_C=25°C unless otherwise noted)

| Parameter | Symbol | PS840L | Units |
|------------------------------------|-------------------|--------|-------|
| Typical Thermal Resistance (Note2) | R _(JA) | 45 | °C/W |
| | R _(JC) | 16 | |

Note:

1. T_J=25°C, V_R = 4V_{DC}@1Mhz

2. Polyimide PCB, 2oz. Copper. Cathode pad dimensions 18.8* 14.4*1.6mm. Anode pad dimensions 5.6 x 14.4*1.6mm.

RATING AND CHARACTERISTIC CURVES (PS840L)

FIG.1-TYPICAL FORWARD CURRENT DERATING CURVE

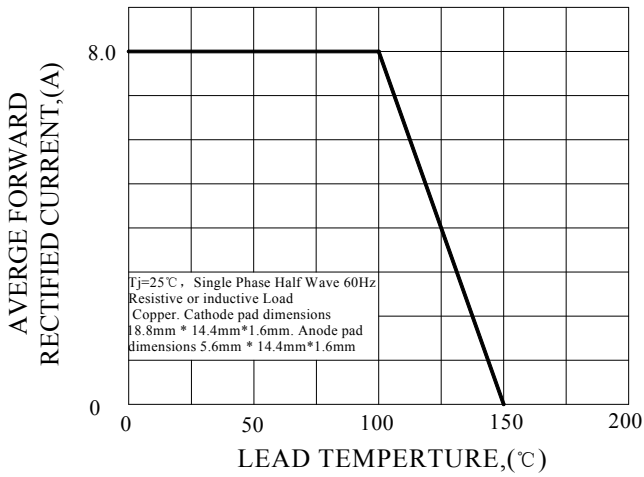


FIG.2-TYPICAL INSTANTANEOUS FORWARD CHARACTERISTICS

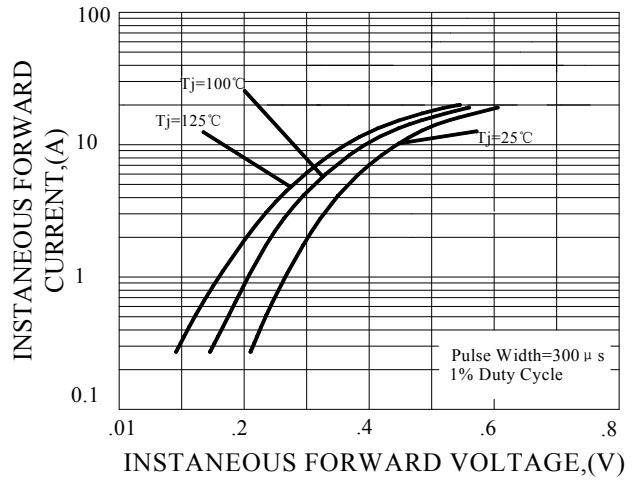


FIG.3-MAXIMUM NON-REPETITIVE FORWARD SURGE CURRENT

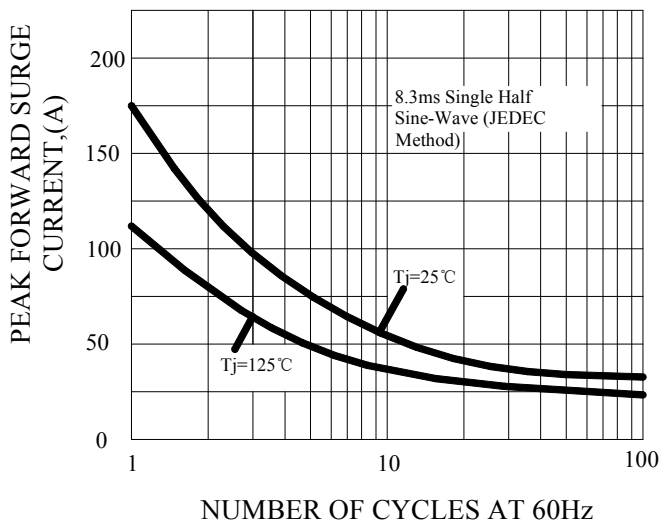


FIG.4-TYPICAL REVERSE CHARACTERISTICS

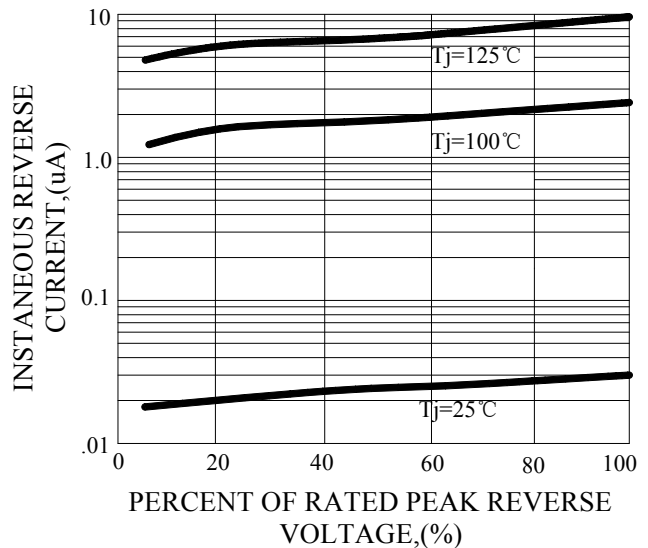
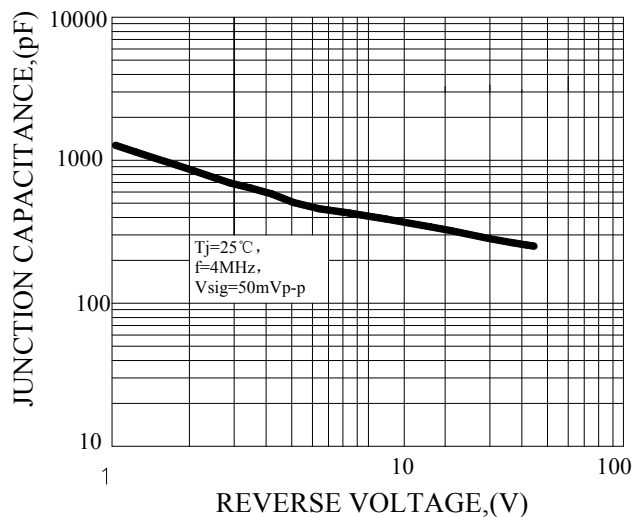
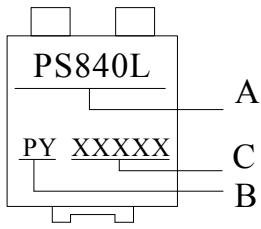


FIG.5-TYPICAL JUNCTION CAPACITANCE



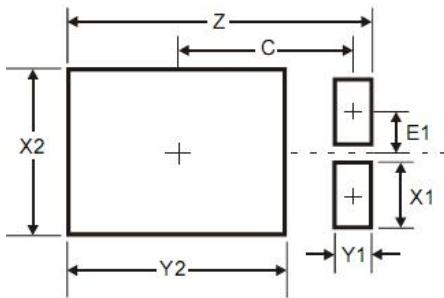
Marking、 Pad Layout 、 MOQ and Packaging illustration

1、 Marking



| SYMBOL | Explanation |
|----------|---------------------|
| A | Product Name |
| B | Trademark |
| C | Date Code |

2、 Suggested Pad Layout

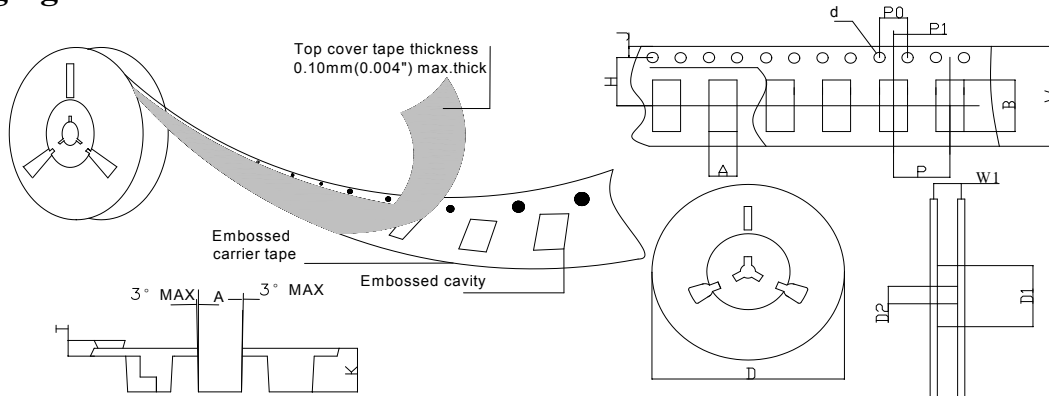


| Dimensions | Value (in mm) |
|------------|---------------|
| Z | 6.6 |
| X1 | 1.4 |
| X2 | 3.6 |
| Y1 | 0.8 |
| Y2 | 4.7 |
| C | 3.87 |
| E1 | 0.9 |

3、 MOQ

3000pcs / Tape & Reel

4、 Packaging



| SPECIFICATIONS mm(inch) | | PACKAGE | SPECIFICATIONS mm(inch) | | PACKAGE |
|----------------------------|------------|-----------------|----------------------------|------------|----------------|
| ITEM | SYM BOL | PS-277B | ITEM | SYM BOL | PS-277B |
| Carrier width | A | 4.45(0.175)Max | Carrier depth | K | 1.60(0.063)Typ |
| Carrier length | B | 7.0(0.276)Max | Punch hole pitch | P | 8.00(0.315)Typ |
| Sprocket hole | d | ø1.55(0.061)Typ | Sprocket hole pitch | P0 | 4.00(0.157)Typ |
| Reel outer diameter | D | 330.0(13.0)Typ | Embossment center | P1 | 2.00(0.079)Typ |
| Reel inner diameter | D1 | 74.0(2.913)Min | Overall tape thickness | T | 0.25(0.010)Typ |
| Feed hole diameter | D2 | 13.0(0.512)Typ | Tape width | W | 16.0(0.630)Typ |
| Sprocket hole position | J | 1.75(0.069)Typ | Reel width | W1 | 16.5(0.650)Min |
| Punch hole position | H | 7.50(0.295)Typ | | | |

X-ON Electronics

Largest Supplier of Electrical and Electronic Components

Click to view similar products for [Schottky Diodes & Rectifiers](#) category:

Click to view products by [Pingwei](#) manufacturer:

Other Similar products are found below :

[CUS06\(Te85L,Q,M\)](#) [MA4E2039](#) [D1FH3-5063](#) [MBR0530L-TP](#) [MBR10100CT-BP](#) [MBR30H100MFST1G](#) [MMBD301M3T5G](#) [PMAD1103-LF](#) [PMAD1108-LF](#) [RB160M-50TR](#) [RB520S-30](#) [RB551V-30](#) [DD350N18K](#) [DZ435N40K](#) [DZ600N16K](#) [BAS16E6433HTMA1](#) [BAS 3010S-02LRH E6327](#) [BAT 54-02LRH E6327](#) [IDL02G65C5XUMA1](#) [NSR05F40QNXT5G](#) [NSVR05F40NXT5G](#) [JANS1N6640](#) [SB07-03C-TB-H](#) [SB1003M3-TL-W](#) [SBAT54CWT1G](#) [SBM30-03-TR-E](#) [SBS818-TL-E](#) [SK32A-LTP](#) [SK33A-TP](#) [SK34A-TP](#) [SK34B-TP](#) [SMD1200PL-TP](#) [ACDBN160-HF](#) [SS3003CH-TL-E](#) [STPS30S45CW](#) [PDS3100Q-7](#) [GA01SHT18](#) [CRS10I30A\(Te85L,QM\)](#) [MBR1240MFST1G](#) [MBRB30H30CT-1G](#) [BAS28E6433HTMA1](#) [BAS 70-02L E6327](#) [HSB123JTR-E](#) [JANTX1N5712-1](#) [VS-STPS40L45CW-N3](#) [DD350N12K](#) [SB007-03C-TB-E](#) [SB10015M-TL-E](#) [SB1003M3-TL-E](#) [SK110-LTP](#)