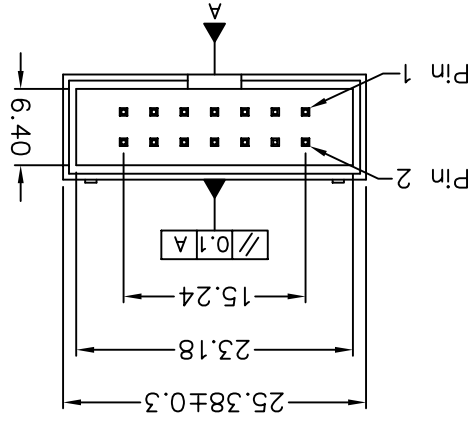
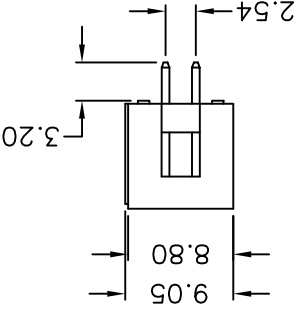
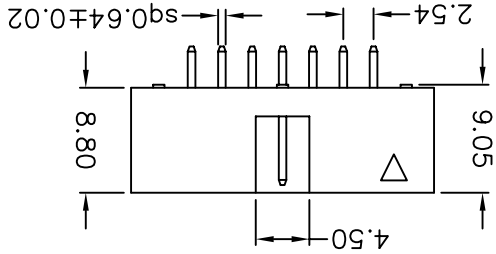
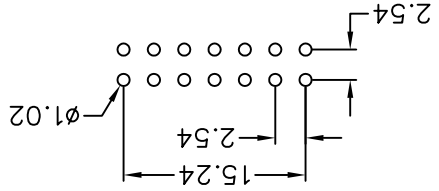


|        |         |             |            |   |            |         |              |              |       |  |                         |
|--------|---------|-------------|------------|---|------------|---------|--------------|--------------|-------|--|-------------------------|
| REV. A | RELEASE | DESCRIPTION | DATE       | ANG. = ±3.<br>0.000 = ±.<br>.000 = ±.XXX<br>.00 = ±.20<br>0 = ±.30<br>TOLERANCE | SCALE NONE | SIZE A4 | SHEET 1 OF 1 | REV. A       | APP'D | NEW PART NO. 510-90-14GB00               | DRAW NO. 510-90-14GB00  |
|        |         |             | 2005/06/17 |   |            |         |              | <i>Watan</i> | CHECK | BOX HEADER 2.54*2.54mm,<br>STRAIGHT TYPE | PINREX TECHNOLOGY CORP. |
|        |         |             |            |   |            |         |              | DRAWER       |       | TITLE                                    |                         |
|        |         |             |            |   |            |         |              | BH1S-14GB    |       |  |                         |
|        |         |             |            |   |            |         |              |              |       |  |                         |

Recommended P.C.B Layout



- 1. 5: Normal Parts
- 7: Green Product
- 9: Green Product High Temp
- 2. No. of contacts
- 3. G: Gold flash
- S: Selective
- T: Tin plated
- 4. B: Black insulator
- 5. Pinrex internal code.

510-9 0-14 G B 00  
1 2 3 4 5

**SPECIFICATION**  
 Current Rate : 3 AMP  
 Insulation Resistance : 5000MΩMin. at DC 500V  
 Contact Resistance : 20mΩMax. at DC 100mA  
 Dielectric Voltage : AC 500V for one minute  
 Operation Temperature : -40°C to + 105°C

**MATERIAL**  
 Insulator : NYLON 6T or 9T  
 Contact Pin : Brass

## X-ON Electronics

Largest Supplier of Electrical and Electronic Components

*Click to view similar products for [Headers & Wire Housings](#) category:*

*Click to view products by [Pinrex](#) manufacturer:*

Other Similar products are found below :

[95000-104TRLF](#) [10135584-644402LF](#) [DF62W-EP2022PCA](#) [95000-106TRLF](#) [DF62W-2022SCA](#) [DF62W-EP2022PC](#) [2203348](#) [DF62W-2022SC](#) [1084018](#) [1029039](#) [1084017](#) [802-10-012-10-002000](#) [1112640](#) [1112639](#) [891-007-9SS-BST1T](#) [000-34000](#) [0008550134](#) [0009482033](#) [0009507031](#) [57102-F02-18ULF](#) [57102-S06-03LF](#) [57202-S52-04LF](#) [PCN6-15S-2.5E](#) [0039019024](#) [58102-G61-06LF](#) [582553-1](#) [0009485154](#) [0009508121](#) [0022285053](#) [0050291907](#) [018731A](#) [LY20-4P-DT1-P1E-BR](#) [02.125.8002.8](#) [60101931](#) [60598-1 \(Cut Strip\)](#) [M1625-3R/100](#) [61062-3](#) [61082-181009](#) [CSU011177004](#) [636-1427](#) [638009-1](#) [641938-9](#) [641991-4](#) [644168-1](#) [644827-2](#) [647662-1](#) [65039-019ELF](#) [65692-001LF](#) [65781-018](#) [65781-047](#)