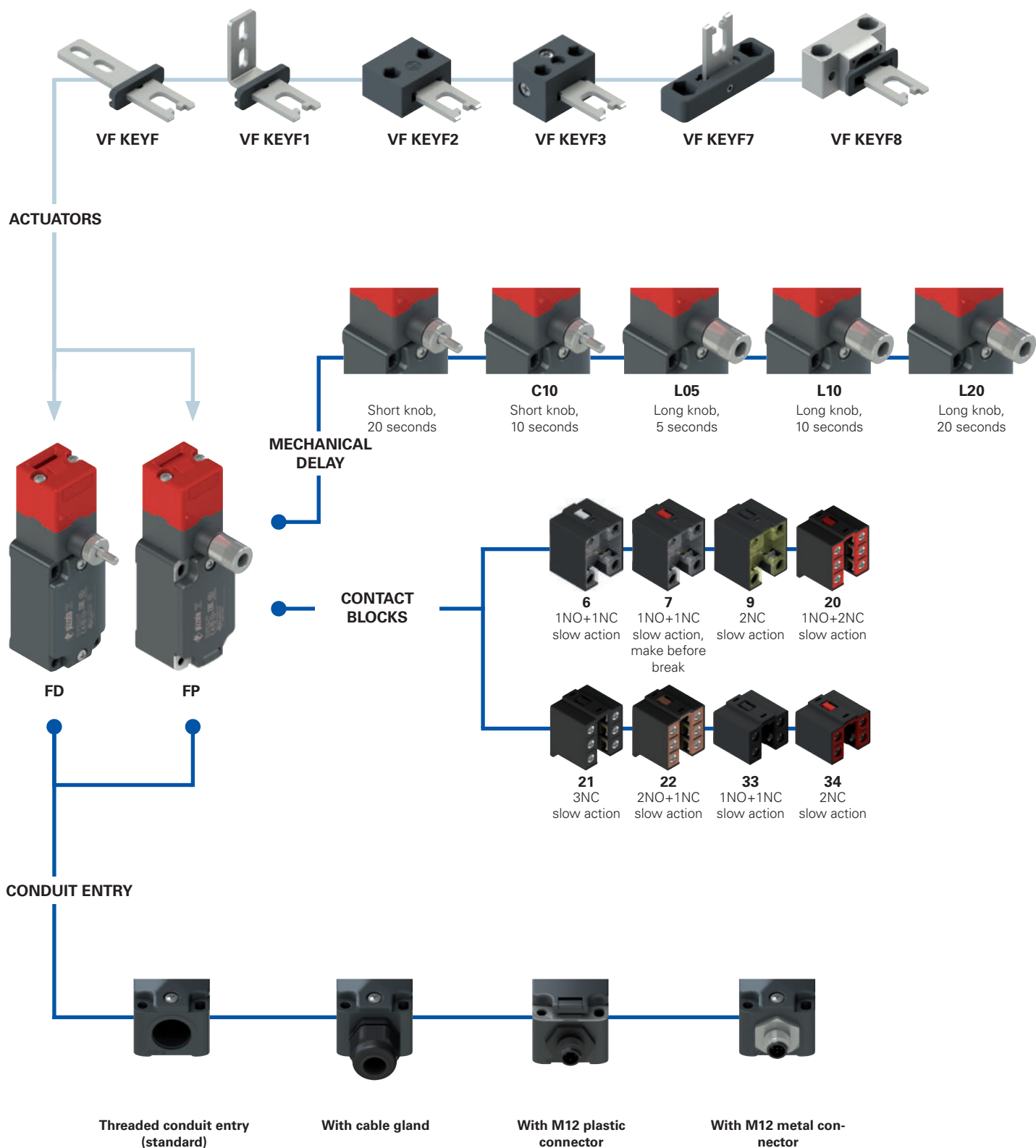


Selection diagram





Code structure

Attention! The feasibility of a code number does not mean the effective availability of a product. Please contact our sales office.

article
options
options
FD 6R2-L10F1GM2K50T6

Housing	
FD	metal, one conduit entry
FP	technopolymer, one conduit entry

Ambient temperature	
	-25°C ... +80°C (standard)
T6	-40°C ... +80°C

Contact blocks	
6	1NO+1NC, slow action
7	1NO+1NC, slow action, make before break
9	2NC, slow action
20	1NO+2NC, slow action
21	3NC, slow action
22	2NO+1NC, slow action
33	1NO+1NC, slow action
34	2NC, slow action

Pre-installed cable glands or connectors	
	no cable gland or connector (standard)
K23	cable gland for cables Ø 6 ... 12 mm
...
K50	M12 metal connector, 5-pole
...

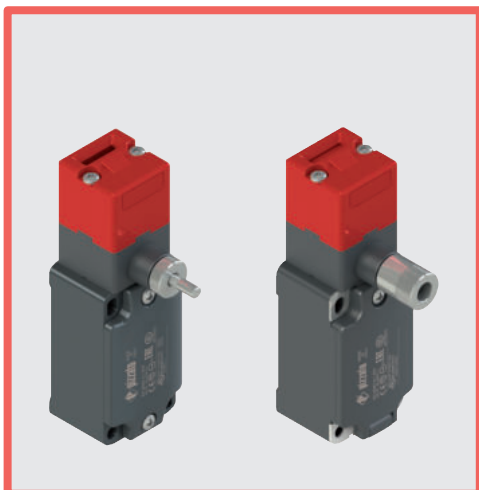
For the complete list of possible combinations please contact our technical department.

Mechanical delay	
	short knob, 20 s (standard)
C10	short knob, 10 s
L05	long knob, 5 s
L10	long knob, 10 s
L20	long knob, 20 s

Threaded conduit entry	
M2	M20x1.5 (standard)
	PG 13.5

Actuators	
	without actuator (standard)
F	straight actuator VF KEYF
F1	angled actuator VF KEYF1
F2	jointed actuator VF KEYF2
F3	jointed actuator adjustable in two directions VF KEYF3
F7	jointed actuator adjustable in one direction VF KEYF7
F8	universal actuator VF KEYF8

Contact type	
	silver contacts (standard)
G	silver contacts with 1 µm gold coating
G1	silver contacts, 2.5 µm gold coating (not for contact blocks 20, 21, 22, 33, 34)



Main features

- Metal housing or technopolymer housing, one conduit entry
- Protection degree IP67
- 8 contact blocks available
- 6 stainless steel actuators available
- Versions with assembled M12 connector
- Versions with gold-plated silver contacts
- Strong actuator locking (1000 N)
- Manual actuator release
- Versions with different release delay times


Quality marks:



IMQ approval:	EG605
UL approval:	E131787
CCC approval:	2007010305230000
EAC approval:	RU C-IT.YT03.B.00035/19

Technical data

Housing

FP series housing made of glass fibre reinforced technopolymer, self-extinguishing, shock-proof and with double insulation: 
 FD series: metal housing, baked powder coating.
 One threaded conduit entry: M20x1.5 (standard)
 Protection degree: IP67 acc. to EN 60529 with cable gland of equal or higher protection degree

General data

SIL (SIL CL) up to: SIL 3 acc. to EN 62061
 Performance Level (PL) up to: PL e acc. to EN ISO 13849-1
 Interlock with mechanical lock, coded: type 2 acc. to EN ISO 14119
 Coding level: low acc. to EN ISO 14119
 Safety parameters:
 B_{10D} : 1,000,000 for NC contacts
 Mission time: 20 years
 Ambient temperature: -25°C ... +80°C (standard)
 -40°C ... +80°C (T6 option)
 Max. actuation frequency: 360 operating cycles/hour
 Mechanical endurance: 500,000 operating cycles
 Max. actuation speed: 0.5 m/s
 Min. actuation speed: 1 mm/s
 Maximum force before breakage F_{1max} : 1000 N acc. to EN ISO 14119
 Max. holding force F_{Zh} : 770 N acc. to EN ISO 14119
 Max. clearance of the actuator: 4.5 mm
 Tightening torques for installation: see page 339
 Wire cross-sections and wire stripping lengths: see page 357

In compliance with standards:

IEC 60947-5-1, IEC 60947-1, IEC 60204-1, EN ISO 14119, EN ISO 12100, IEC 60529, EN 50581, BG-GS-ET-15, UL 508, CSA 22.2 No.14

Approvals:


EN 60947-5-1, UL 508, CSA 22.2 No.14, GB/T14048.5-2017.

Compliance with the requirements of:

Machinery Directive 2006/42/EC, EMC Directive 2014/30/EU, RoHS Directive 2011/65/EU.

Positive contact opening in conformity with standards:

IEC 60947-5-1, EN 60947-5-1.

 If not expressly indicated in this chapter, for correct installation and utilization of all articles see the instructions given on pages 337 to 350.

	Electrical data	Utilization category
without connector	Thermal current (I_{th}):	10 A
	Rated insulation voltage (U):	500 Vac 600 Vdc 400 Vac 500 Vdc (contact blocks 20, 21, 22, 33, 34)
	Rated impulse withstand voltage (U_{imp}):	6 kV 4 kV (contact blocks 20, 21, 22, 33, 34)
with M12 connector, 4 and 5-pole	Thermal current (I_{th}):	4 A
	Rated insulation voltage (U):	250 Vac 300 Vdc
	Protection against short circuits:	type gG fuse 4 A 500 V
with M12 connector, 8-pole	Thermal current (I_{th}):	2 A
	Rated insulation voltage (U):	30 Vac 36 Vdc
	Protection against short circuits:	type gG fuse 2 A 500 V
	Pollution degree:	3
		Alternating current: AC15 (50±60 Hz)
		U _e (V) 250 400 500
		I _e (A) 6 4 1
		Direct current: DC13
		U _e (V) 24 125 250
		I _e (A) 3 0.55 0.3
		Alternating current: AC15 (50±60 Hz)
		U _e (V) 24 120 250
		I _e (A) 4 4 4
		Direct current: DC13
		U _e (V) 24 125 250
		I _e (A) 3 0.55 0.3
		Alternating current: AC15 (50±60 Hz)
		U _e (V) 24
		I _e (A) 2
		Direct current: DC13
		U _e (V) 24
		I _e (A) 2



Features approved by IMQ

Rated insulation voltage (U _i):	500 Vac
Conventional free air thermal current (I _{th}):	400 Vac (for contact blocks 20, 21, 22, 33, 34)
Protection against short circuits:	type aM fuse 10 A 500 V
Rated impulse withstand voltage (U _{imp}):	6 kV
	4 kV (for contact blocks 20, 21, 22, 33, 34)
Protection degree of the housing:	IP67
MV terminals (screw terminals)	
Pollution degree:	3
Utilization category:	AC15
Operating voltage (U _e):	400 Vac (50 Hz)
Operating current (I _e):	3 A

Forms of the contact element: Zb, Y+Y, Y+Y+X, Y+Y+Y, Y+X+X
 Positive opening contacts on contact blocks 6, 7, 9, 20, 21, 22, 33, 34
 In compliance with standards: EN 60947-1, EN 60947-5-1, fundamental requirements of the Low Voltage Directive 2014/35/EU.

Please contact our technical department for the list of approved products.

Features approved by UL

Electrical Ratings:	Q300 pilot duty (69 VA, 125-250 V dc) A600 pilot duty (720 VA, 120-600 V ac)
Environmental Ratings:	Types 1, 4X, 12, 13
	Use 60 or 75 °C copper (Cu) conductor and wire size range 12, 14 AWG, stranded or solid. The terminal tightening torque of 7.1 lb in (0.8 Nm).
	For FP series: the hub is to be connected to the conduit before the hub is connected to the enclosure.

Please contact our technical department for the list of approved products.

Description

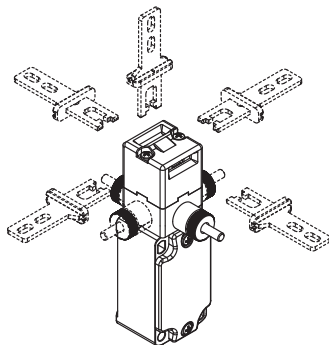


These switches are used on machines where the hazardous conditions remain for a while, even after the machine has been switched off, for example because of mechanical inertia of the pulleys, saw disks, mills. This switch has its ideal application where the guard is not opened frequently and the installation of a switch with solenoid would be too expensive.

These switches are considered interlocks with guard locking in accordance with ISO 14119, and the product is marked on the side with the symbol shown.



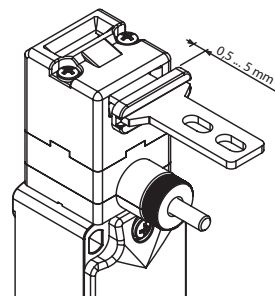
Head and knobs with variable orientation



The head can be quickly turned to each of the four sides of the switch by unfastening the two fastening screws.

The mechanical delay device can be rotated in 90° steps as well. This enables the switch to assume 32 different configurations.

Adjustment range



The actuation head of this switch features a wide range of travel. In this way the guard can oscillate along the direction of insertion (4.5 mm) without causing unwanted machine shutdowns. This wide range of travel is available in all actuators in order to ensure maximum device reliability.

Protection degree IP67

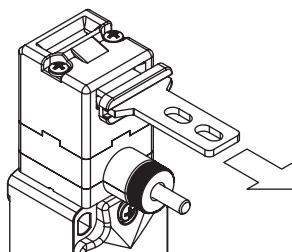
IP67 These devices are designed to be used in the toughest environmental conditions and they pass the IP67 immersion test acc. to EN 60529. They can therefore be used in all environments where maximum protection degree of the housing is required.

Contact block



Contact blocks with captive screws, finger protection, twin bridge contacts and double interruption for higher contact reliability. Available in multiple versions with shifted, simultaneous or overlapping actuation paths. They are suitable for many different applications.

Holding force of the unlocked actuator



The inside of each switch features a device which holds the actuator in its closed position. Ideal for all those applications where several guards are unlocked simultaneously, but only one is actually opened. The device keeps all the unlocked guards in their position with a retaining force of approx. 30 N, stopping any vibrations or gusts of wind from opening them.

Extended temperature range

-40°C

These devices are also available in a special version suitable for an ambient operating temperature range from -40°C up to +80°C.

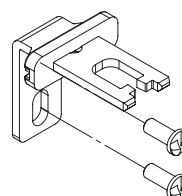
They can therefore be used for applications in cold stores, sterilisers and other equipment with low temperature environments. The special materials used to produce these versions retain their characteristics even under these conditions, thereby expanding the installation possibilities.

Laser engraving



All devices are marked using a dedicated indelible laser system. These engravings are therefore suitable for extreme environments too. Thanks to this system that does not use labels, the loss of plate data is prevented and a greater resistance of the marking is achieved over time.

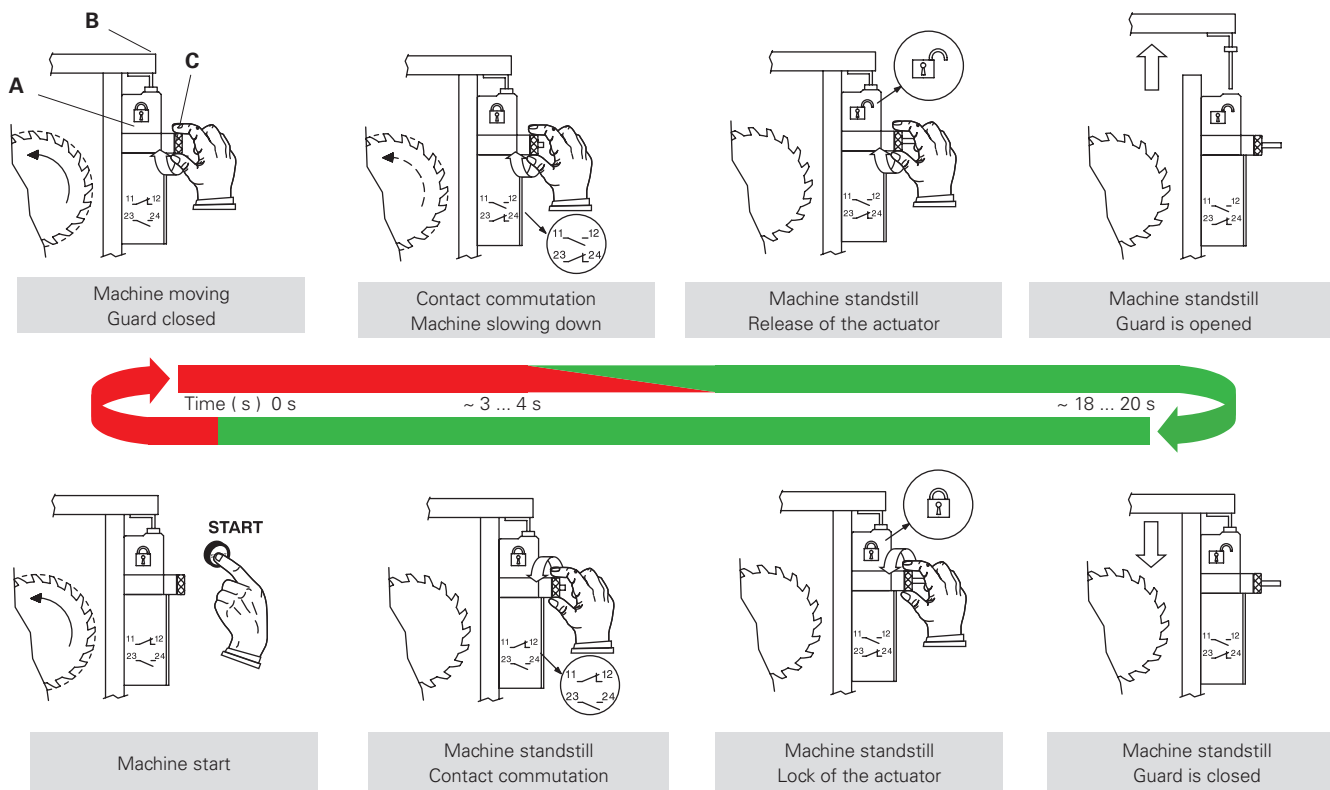
Safety screws for actuators



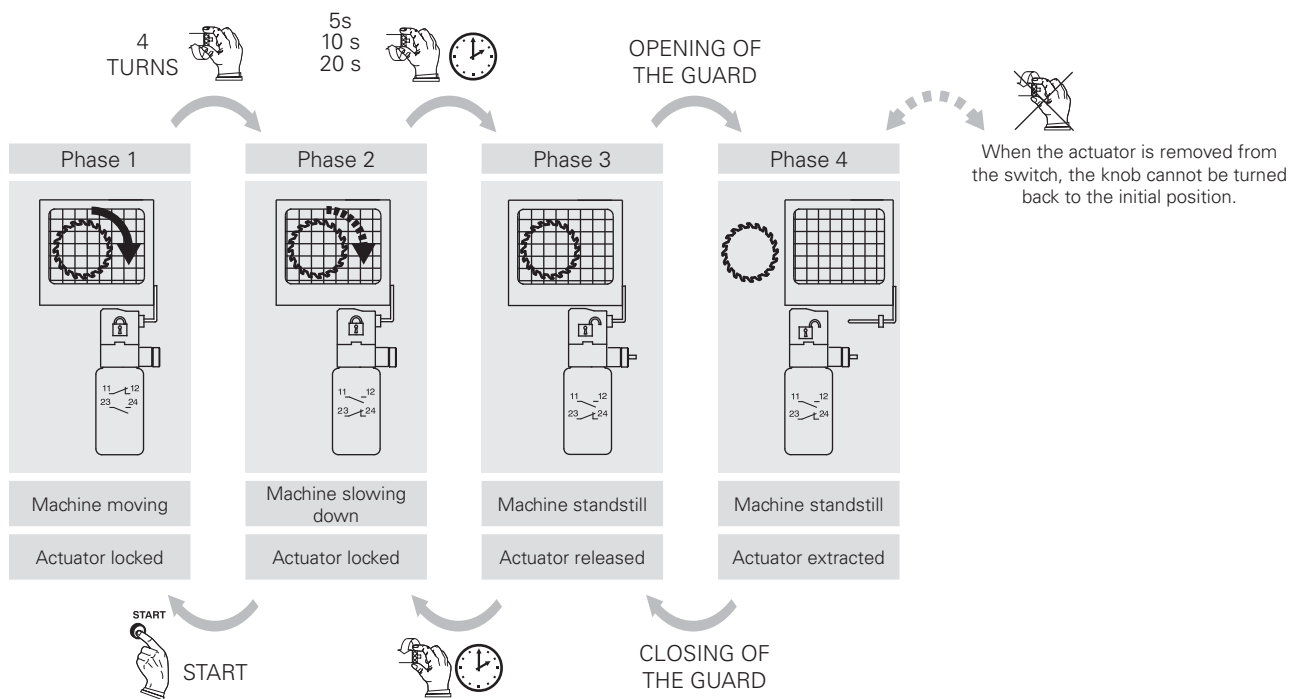
As required by EN ISO 14119, the actuator must be fixed immovably to the guard frame. Pan head safety screws with one-way fitting are available for this purpose. With this screw type, the actuators cannot be removed or tampered by using common tools. See accessories on page 332.

Operation (FP 6R2-M2F1)

The switch is fastened to the machine body (A), while the stainless steel actuator is fastened to the guard (B). Once installed, the switch will firmly lock the actuator. In order to remove the actuator, the knob (C) has to be rotated. On the first turns the electrical contacts will positively open, then, after about 20 seconds (or 10 seconds depending on the version), the actuator will be released. In order to close the guard, the knob must be rotated in the opposite direction. This switch doesn't need power supply or timer and can be easily installed on old machines without important changes in their electrical circuit. The knob (C) may be supplied in a short (standard) or in a long version.



Operating phases (FD 6R2-M2F1)





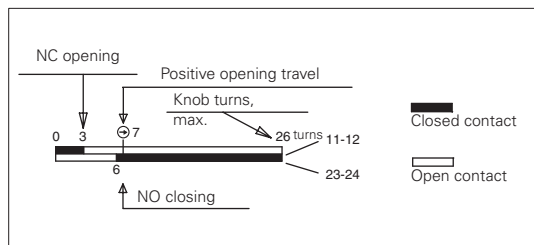
	Technopolymer housing Without actuator	Metal housing Without actuator	Metal housing Without actuator
Contact type:	<p>L = slow action LO = slow action, make before break</p>		
Contact blocks			
6	L FP 6R2-M2 1NO+1NC	FD 6R2-M2 1NO+1NC	FD 6R2-L10M2 1NO+1NC
7	LO FP 7R2-M2 1NO+1NC	FD 7R2-M2 1NO+1NC	FD 7R2-L10M2 1NO+1NC
9	L FP 9R2-M2 2NC	FD 9R2-M2 2NC	FD 9R2-L10M2 2NC
20	L FP 20R2-M2 1NO+2NC	FD 20R2-M2 1NO+2NC	FD 20R2-L10M2 1NO+2NC
21	L FP 21R2-M2 3NC	FD 21R2-M2 3NC	FD 21R2-L10M2 3NC
22	L FP 22R2-M2 2NO+1NC	FD 22R2-M2 2NO+1NC	FD 22R2-L10M2 2NO+1NC
33	L FP 33R2-M2 1NO+1NC	FD 33R2-M2 1NO+1NC	FD 33R2-L10M2 1NO+1NC
34	L FP 34R2-M2 2NC	FD 34R2-M2 2NC	FD 34R2-L10M2 2NC
Actuating force	10 N (18 N)	10 N (18 N)	10 N (18 N)

All values in the diagrams are in turns of the knob

Legend: With positive opening according to EN 60947-5-1, interlock with lock monitoring acc. to EN ISO 14119

How to read travel diagrams

All values in the diagrams are in turns of the knob



IMPORTANT:

The state of the NC contact refers to the switch with inserted actuator and with the knob turned anti-clockwise up to the end of the travel. For installation in safety applications, actuate the switch at least up to the positive opening travel shown in the travel diagrams with symbol . Actuate the switch at least with the positive opening force, reported in brackets below each article, next to the actuating force value.

Limits of use

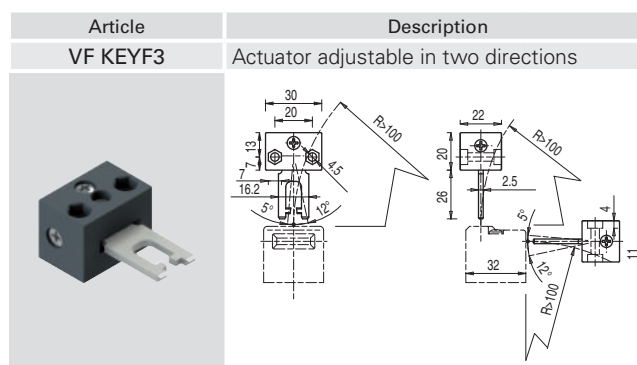
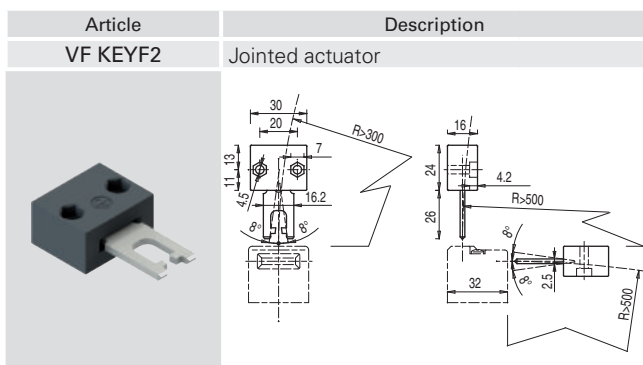
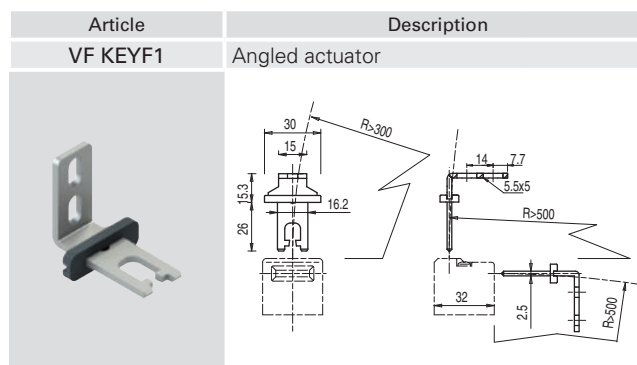
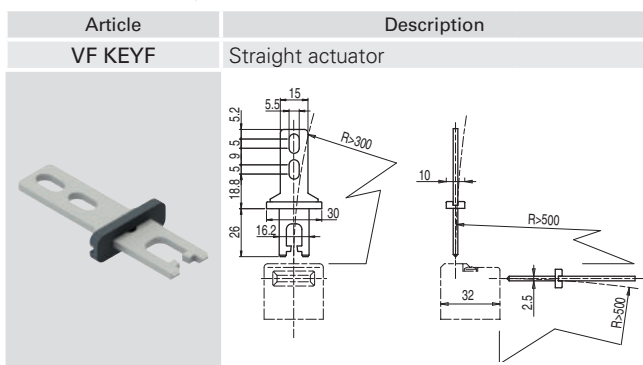
Do not use where dust and dirt may penetrate in any way into the head and deposit there. Especially not where powder, shavings, concrete or chemicals are sprayed. Adhere to the EN ISO 14119 requirements regarding low level of coding for interlocks. Do not use in environments with presence of explosive or flammable gas. In these case use ATEX products (see dedicated Pizzato catalogue).

Attention! These switches alone are not suitable for applications where operators may physically enter the dangerous area, because an eventual closing of the door behind them could restart the machine operation. In these cases, the maintenance personnel must use the actuator entry locking device VF KB1 shown on page 98.

Stainless steel actuators

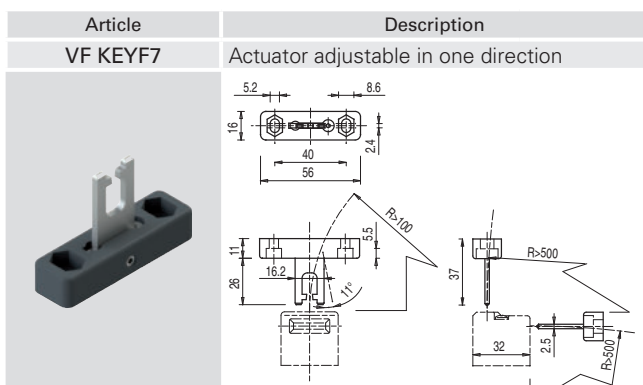
IMPORTANT: These actuators can be used only with items of the FD, FP, FL, FC and FS series (e.g. FD 6R2-M2).

Low level of coding acc. to EN ISO 14119.



The actuator can flex in four directions for applications where the guard alignment is not precise.

Actuator adjustable in two directions for guards with reduced dimensions.



Actuator adjustable in one direction for guards with reduced dimensions.

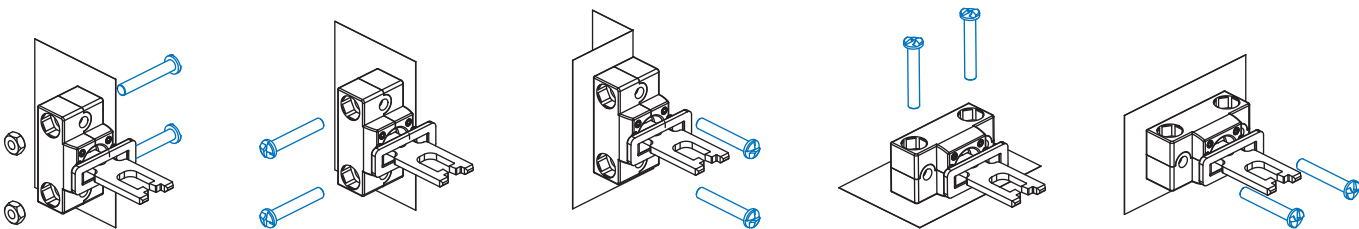
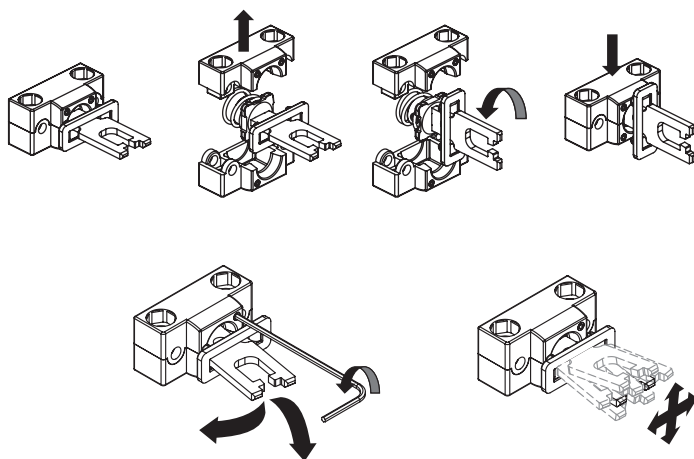


Universal actuator VF KEYF8

IMPORTANT: These actuators can be used only with items of the FD, FP, FL, FC and FS series (e.g. FD 6R2-M2).
Low level of coding acc. to EN ISO 14119.

Article	Description
VF KEYF8	Universal actuator

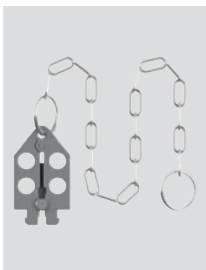
Jointed actuator for guards with poor alignment, adjustable in two dimensions for small doors; can be mounted in various positions. The metal fixing body has two pairs of bore holes; it is provided for rotating the working plane of the actuator by 90°.



Accessories

Article	Description
VF KB1	Lock out device

Padlockable lock out device to prevent the actuator entry and the accidental closing of the door behind operators while they are in the danger area.
Hole diameter for padlocks: 9 mm.



X-ON Electronics

Largest Supplier of Electrical and Electronic Components

Click to view similar products for [Emergency Stop Switches / E-Stop Switches](#) category:

Click to view products by [Pizzato](#) manufacturer:

Other Similar products are found below :

[84-6830.0020](#) [AVN302N-R](#) [3050.1302Y](#) [84-6841.2B20](#) [ZA2BV05](#) [951FY000-WO](#) [ER6022-022N](#) [952+2000-00](#) [ES3S51653001](#) [601+0000-OP](#) [XCSB502](#) [2TLA030051R0100](#) [D2D 1009M](#) [D2D 1013H](#) [AZM 170SK-02ZRKA](#) [24VAC/DC](#) [84-6820.0020A](#) [84-6820.0040](#) [FB1W-HW1B-M220B](#) [FB1W-HW1B-X401R](#) [84-5221.2B20](#) [AZ 17/170-B15](#) [AZM 161SK-12/12RKA-110/230](#) [AZ 17/170-B11](#) [BNS 40S-12Z](#) [10,0M](#) [AZ 16-02ZVRK-ST](#) [AZ/AZM201-B30-RTAG1P1-SZ](#) [SK-UV15Z M](#) [SP22K201-1](#) [SP22K101-1](#) [ST22K101-1](#) [ST22K104-1](#) [ST22K105-1](#) [ST22K108-1](#) [ST22K201-1](#) [ST22K302-1](#) [ST22K305-1](#) [XACD21A1241](#) [XACS105](#) [ZB2BY2922](#) [ZB2BY4913](#) [ZB2BY4919](#) [3004.5246](#) [3031.1306](#) [3050.1303N](#) [30B4.1206](#) [3100.0110N](#) [440A-A17101](#) [440E-A13078](#) [440E-A13081](#) [440G-A27011](#)