



Quality Products. Service Excellence.

Polycarbonate HMI Hinged Cover Kits *PJHMI Series*

Features

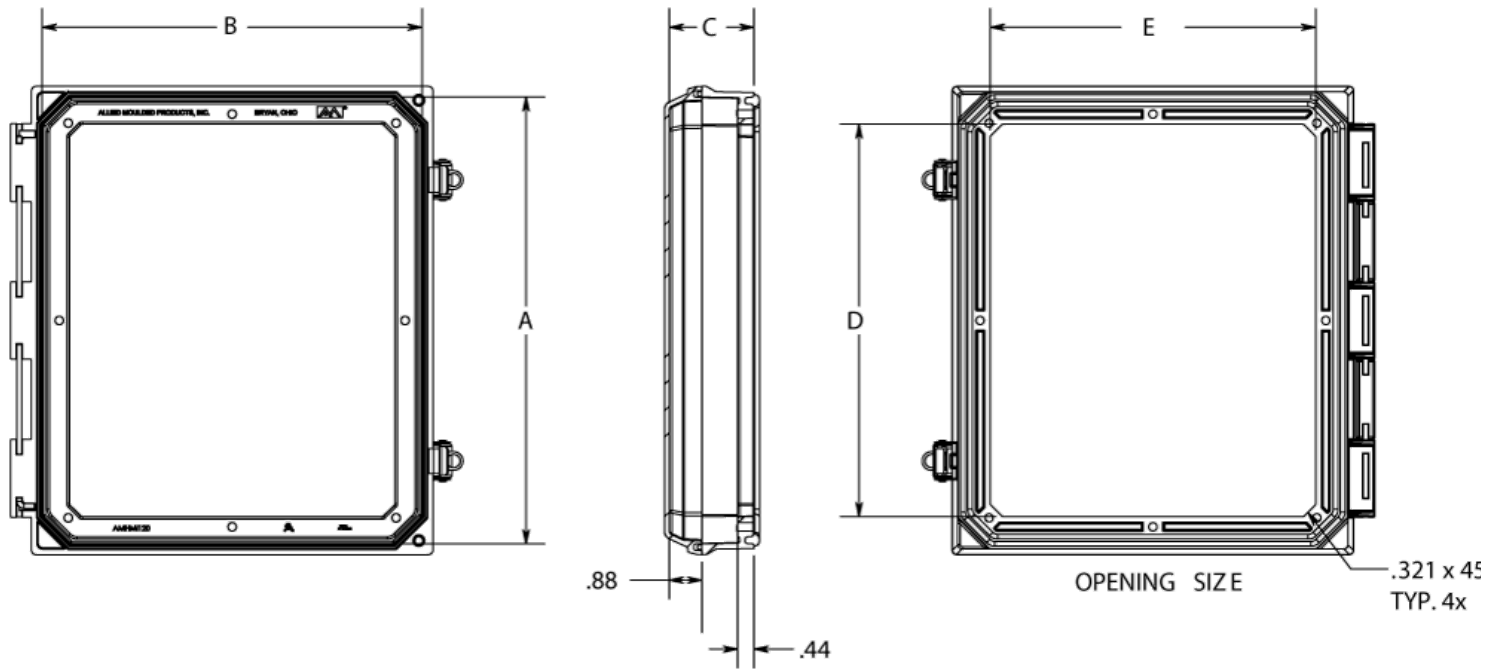


- Provides protection for instruments or electronics requiring routine attention or detail.
- Available in light gray solid opaque or polycarbonate thermoplastic clear covers.
- Cover Latching Options - hinged screw cover, tamper proof screw cover, and snap latch with pad lock feature.
- Listed UL component for use with enclosures rated NEMA Types 1, 3, 3R, 4, 4X, 12 or 13.
- CSA listed NEMA Type 1, 3, 3R, 4, 4X, 12 or 13.
- 316 stainless steel hinge pin.
- UV stabilized for outdoor use.
- Formed-In-Place (FIP) polyurethane gasket in continuous channel.
- Designed for use with wall thicknesses from 16 gauge through 1/4"
- #10-32 threaded brass inserts with plated steel mounting fasteners.
- Service temperature -31°F (-35°C) to 266°F (130°C)

Accessories

- Prop Arm for HMI Covers





| Clear Cover | Opaque Cover | Optional Prop Arm | Closure Style | Frame Size Dimensions | | | Viewing Area | |
|----------------|--------------|-------------------|-------------------------|-----------------------|-------|------|--------------|-------|
| | | | | A | B | C | D | E |
| PJHMI88CCH | PJHMI88H | PJHMIPROP88 | Screw Cover | 7.93 | 8.15 | 2.27 | 6.47 | 6.69 |
| PJHMI88CCHTP | PJHMI88HTP | PJHMIPROP88 | Tamperproof Screw Cover | 7.93 | 8.15 | 2.27 | 6.47 | 6.69 |
| PJHMI88CCL | PJHMI88L | PJHMIPROP88 | Snap Latch Cover | 7.93 | 8.15 | 2.27 | 6.47 | 6.69 |
| PJHMI108CCH | PJHMI108H | PJHMIPROP108 | Screw Cover | 9.93 | 8.15 | 2.27 | 8.47 | 6.69 |
| PJHMI108CCHTP | PJHMI108HTP | PJHMIPROP108 | Tamperproof Screw Cover | 9.93 | 8.15 | 2.27 | 8.47 | 6.69 |
| PJHMI108CCL | PJHMI108L | PJHMIPROP108 | Snap Latch Cover | 9.93 | 8.15 | 2.27 | 8.47 | 6.69 |
| PJHMI1210CCH | PJHMI1210H | PJHMIPROP1210 | Screw Cover | 11.93 | 10.15 | 2.27 | 10.47 | 8.69 |
| PJHMI1210CCHTP | PJHMI1210HTP | PJHMIPROP1210 | Tamperproof Screw Cover | 11.93 | 10.15 | 2.27 | 10.47 | 8.69 |
| PJHMI1210CCL | PJHMI1210L | PJHMIPROP1210 | Snap Latch Cover | 11.93 | 10.15 | 2.27 | 10.47 | 8.69 |
| PJHMI1412CCH | PJHMI1412H | PJHMIPROP1412 | Screw Cover | 13.95 | 12.07 | 2.20 | 12.49 | 10.71 |
| PJHMI1412CCHTP | PJHMI1412HTP | PJHMIPROP1412 | Tamperproof Screw Cover | 13.95 | 12.07 | 2.20 | 12.49 | 10.71 |
| PJHMI1412CCL | PJHMI1412L | PJHMIPROP1412 | Snap Latch Cover | 13.95 | 12.07 | 2.20 | 12.49 | 10.71 |
| PJHMI1614CCH | PJHMI1614H | PJHMIPROP1614 | Screw Cover | 16.01 | 14.23 | 2.27 | 14.49 | 12.71 |
| PJHMI1614CCHTP | PJHMI1614HTP | PJHMIPROP1614 | Tamperproof Screw Cover | 16.01 | 14.23 | 2.27 | 14.49 | 12.71 |
| PJHMI1614CCL | PJHMI1614L | PJHMIPROP1614 | Snap Latch Cover | 16.01 | 14.23 | 2.27 | 14.49 | 12.71 |

Tags: window kit hinged

Data subject to change without notice

© 2018. Hammond Manufacturing Ltd. All rights reserved.

X-ON Electronics

Largest Supplier of Electrical and Electronic Components

Click to view similar products for [Electrical Enclosures](#) category:

Click to view products by [Hammond](#) manufacturer:

Other Similar products are found below :

[120-902](#) [120-905](#) [120-403](#) [120-475](#) [120-901](#) [127-410](#) [130-504](#) [130-506](#) [MR-25L+](#) [30-8739](#) [PIP-11774SCREW](#) [30-9715](#) [MR-25LW+](#) [110-407](#) [111-004](#) [111-008](#) [110-402](#) [110-901](#) [110-907](#) [111-002](#) [110-406](#) [110-910](#) [110-404](#) [110-409](#) [110-410](#) [120-405](#) [106-009](#) [106-505](#) [105-401](#) [106-006](#) [104-406](#) [137-002](#) [105-405](#) [111-005](#) [127-909](#) [106-502](#) [130-475](#) [130-503](#) [127-401](#) [106-010](#) [127-455](#) [127-475](#) [110-903](#) [R260-180-300](#) [9511020](#) [9822029](#) [9820014](#) [P61603000P](#) [9823009](#) [R103-164-000](#)