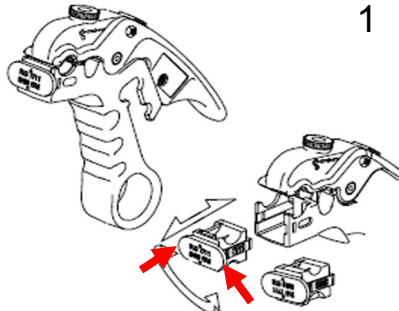
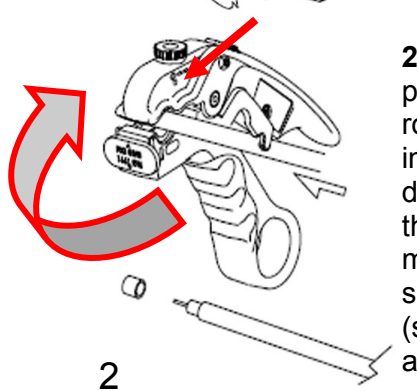


## 1 Stripping Coax:



1. Make sure the correct cable size (RG59/6 or RG7/11) is displayed on the front or side of the cassette. The cassette is reversible and easy to change. Pull it out, rotate and re-insert with the correct cable size showing.

**Note:** To remove cassette, use both sides of the cassette and pull out and away from the front end. (See red arrows in Fig 1)

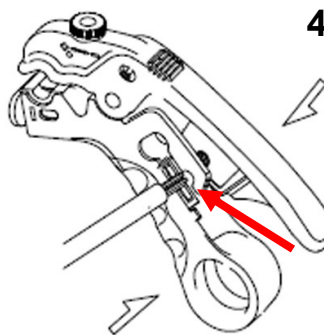
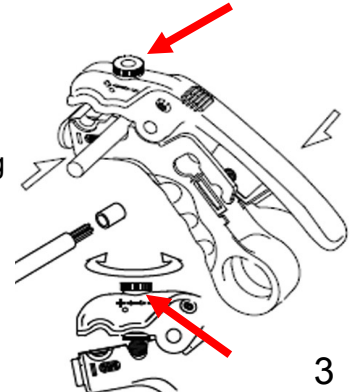


2. For best performance, rotate stripper in same direction as the arrow molded on side of tool (see red arrow)

## Stripping Twisted Pair (UTP & STP)

3. Use the second stripping hole. Stripping depth is adjustable to accommodate a range of cables. (See red arrows in Fig 3)

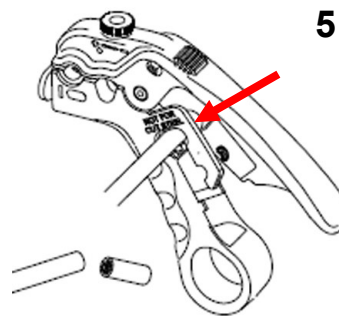
**NOTE:** For best results, score your cable jacket!



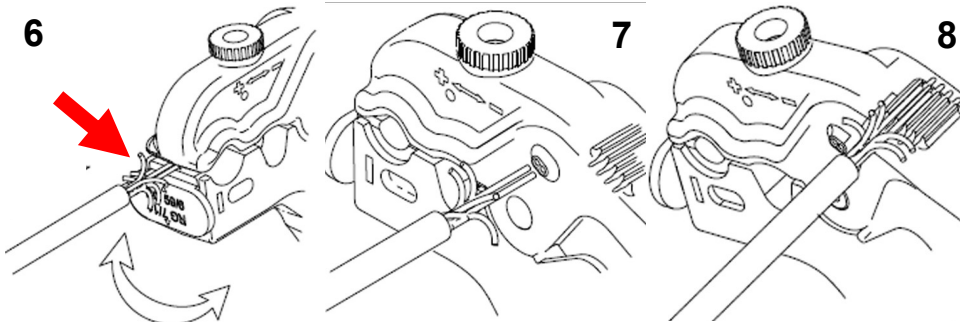
## Built-in Cutters for Cutting:

**Fig 4:** For cutting multiple or single conductor wires (See red arrow)

**Fig 5:** For cutting round cables (See red arrow)



## Separating & Straightening Twisted Pairs



6. Grip the ends of a pair using the serrated teeth inside the front end of the tool (see red arrow in Fig 6)

7. De-twist UTP/STP cable

8. Use channels on top of tool for straightening wires the de-twisted wires

***Do NOT use on live circuits!***

Cutting blades are extremely sharp. Handle with care.

[www.platinumtools.com](http://www.platinumtools.com) ©Platinum Tools, Inc.

All rights reserved. BR1 Multi-Stripper Tool IS 15041 12/11

## **X-ON Electronics**

Largest Supplier of Electrical and Electronic Components

*Click to view similar products for [PLATINUM TOOLS](#) manufacturer:*

Other Similar products are found below :

[15020C](#) [106188J](#) [706BL-1](#) [28038J](#) [17059C](#) [T130K3](#) [90170](#) [12100C](#) [19101](#) [12517C](#) [90173](#) [600WH-25](#) [18039](#) [18042](#) [TCC200](#) [TAR104](#)  
[T138](#) [12503C](#) [10711C](#) [28001J](#) [T139](#) [100004BL](#) [10503](#) [10200C](#) [106148J](#) [19002C](#) [100028C](#) [202044J](#) [13109C](#) [15005C](#) [15010C](#) [725BL-50](#)  
[18312](#) [706BL-40](#) [100054SBL-10C](#) [18012](#) [28006J](#) [TP500C](#) [13157C](#) [106192C](#) [10531C](#) [100 011C](#) [18002](#) [100035C](#) [10500C](#) [JH64AC-25](#)  
[TG210C](#) [18110](#) [15041C](#) [15015C](#)