



## Needle Flux Dispenser

FD

Plato offers soldering accessories like sponges, tip tinner, and bottles to improve your soldering process and increase your tip life.

[Request More Info](#)



### 2 oz. needle flux dispenser bottles

Plato® flux and liquid dispensers come in several shapes and sizes to work in a wide variety of soldering applications. Needle bottles are ideal for precisely controlled flux applications. Brush bottles are a great way to aggressively but safely clean flux residues and other contaminants from PCB's. Available with ESD-Safe sleeve.

**0.01" (0.25mm) needle** - Ideal for low viscosity no-clean and water soluble fluxes.

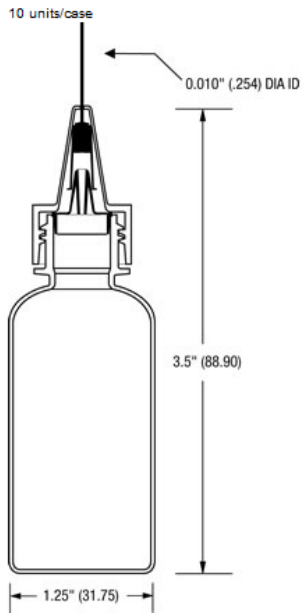
**0.02" (0.50mm) needle** - Ideal for higher viscosity rosin fluxes.

---

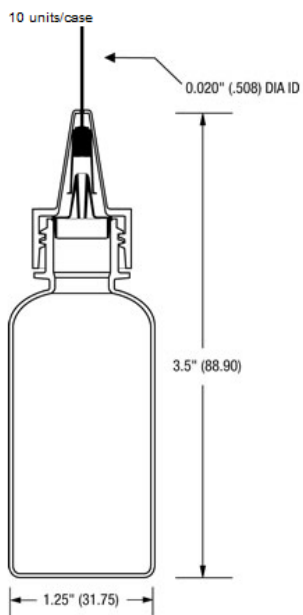
## Product Dimensions



**FD-21**

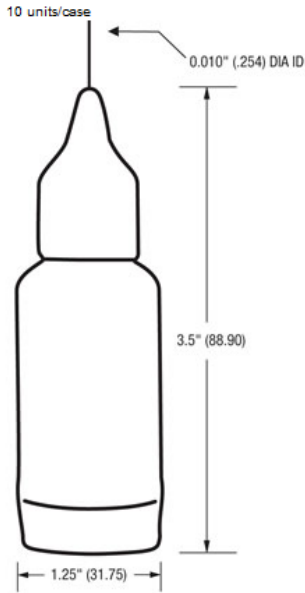


**FD-2**

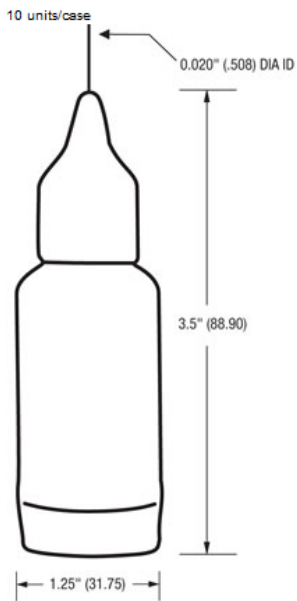




**SF-01**



**SF-02**



---

**Environmental Policy**

Techspray is committed to developing products to ensure a safer and cleaner environment. We will continue to meet and sustain the regulations of all federal, state and local government agencies.



---

## Resources

Techspray products are supported by a global sales, technical and customer services resources.

For additional technical information on this product or other Techspray products in the United States, call the technical sales department at 800-858-4043, email [tsales@techspray.com](mailto:tsales@techspray.com) or visit our web site at: [www.techspray.com](http://www.techspray.com).

### North America

Techspray  
P.O. Box 949  
Amarillo, TX 79105  
800-858-4043  
Email: [tsales@techspray.com](mailto:tsales@techspray.com)

### Europe

ITW Contamination Control  
Saffierlaan 5  
2132 VZ Hoofddorp  
The Netherlands  
+31 88 1307 400  
Email: [info@itw-cc.com](mailto:info@itw-cc.com)

### Countries Outside US

Call to locate a distributor in your country.

Important Notice to Purchaser/User: The information in this publication is based on tests that we believe are reliable. The results may vary due to differences in tests type and conditions. We recommend that each user evaluate the product to determine its suitability for the intended application. Conditions of use are outside our control and vary widely. Techspray's only obligation and your only solution is replacement of product that is shown to be defective when you receive it. In no case will Techspray be liable for any special, incidental, or consequential damages based on breach of warranty, negligence or any other theory.

© 2017 Techspray, A Division of ITW

## X-ON Electronics

Largest Supplier of Electrical and Electronic Components

*Click to view similar products for [Liquid Dispensers & Bottles](#) category:*

*Click to view products by [Plato](#) manufacturer:*

Other Similar products are found below :

[900-STC](#) [914050-45BTE](#) [921050-TE](#) [922100-TE](#) [925050-TE](#) [925125-DHUV](#) [927050-TE](#) [927125-DHUV](#) [930050-45BTE](#) [905-SWR](#)  
[914050-90BTE](#) [914050-TE](#) [920125-DHUV](#) [922050-45BTE](#) [923050-TE](#) [923100-TE](#) [930050-90BTE](#) [930050-TE](#) [19710](#) [TSD210-9](#) [922025-](#)  
[TE](#) [910-SWR](#) [918150-PTS](#) [910-D](#) [905-D](#) [905-WW](#) [918050-45BTE](#) [905-3RHB](#) [914100-TE](#) [955-B](#) [955-NW](#) [905-B](#) [910-B](#) [930-D](#) [903-D](#)  
[TSD931-32](#) [918150-TE](#) [TSD931-6](#) [903-B](#) [916150-PTS](#) [918025-TE](#) [930-B](#) [P3016EPK](#) [DSKIT](#) [7090-0170](#) [35495](#) [35493](#) [TSD1400-495B](#)  
[TSD1400-013BPK](#) [TE720050PK](#)