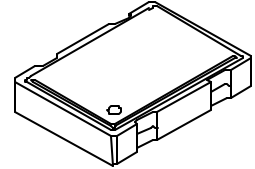




SM7700D SERIES

- CMOS COMPATIBLE WITH TRI –STATE OUTPUT
- LEADLESS SURFACE MOUNT OSCILLATOR IN 7 x 5mm CERAMIC PACKAGE
- 3RD OVERTONE CRYSTAL USED
- LOW JITTER (SEE TABLE NEXT PAGE)



STANDARD SPECIFICATIONS:

Frequency Range	70.000 MHz – 160.000 MHz (Consult factory for specific available frequencies)
Frequency Stability over Operating Temperature Range	± 50 PPM is standard, but ± 25 PPM is also available.
Operating Temperature Range	0 - 70°C is standard, but can be extended to -40 to +85°C for certain frequencies.
Input Voltage (Vcc)	5 Volt ± 10% is standard, but 3.3 Volt or 2.5 Volt ± 10% also available.
Symmetry (Duty Cycle) (See next page for definition.)	40/60 - 60/40% is standard, but 45/55% symmetry at 50% of Vcc is also available.
Input Current (Icc) & Rise and Fall Time (Tr & Tf) & Jitter	Depends on frequency and output load. See next page.
Logic “1” & Logic “0” (see next page)	90% of Vcc MIN.; 10% of Vcc MAX.
Output Load	Can drive up to 15pF
Tri-state Output	Normal output when pin #1 is open (no connection); Normal output when pin #1 is at logic “1”; High-Impedance Output when pin #1 is at logic “0”.
Packaging (see page R1, Figure 4)	16 mm tape, 254 mm reel: 1000 parts per reel. For quantities <250: 100 parts per tray.

PART NUMBERING GUIDE:

- The Pletronics part number for an SM7700D series oscillator consists of the following 3 elements:

1. Overall Frequency Stability over Operating Temperature Range:

SM7745D: ± 50 PPM;

SM7744D: ± 25 PPM

2. Optional Alphabet Designator for Special Requirement:

SM7745DY: standard specifications;

SM7745DE: operating temperature range of -40 to +85°C;

SM7745DS: 45/55% symmetry at 50% of Vcc;

SM7745DV: Operates at Vcc = 3.3 V;

SM7745DW: Operates at Vcc = 2.5 V

(There are other alphabet designators not listed here.)

3. Frequency of Operation in MHz

EXAMPLES: SM7745DSV-106.250 MHz; SM7745DW-125.000 MHz; SM7744DY-100.000 MHz

- When customer’s requirements are non-standard, a special engineering part number will be assigned.

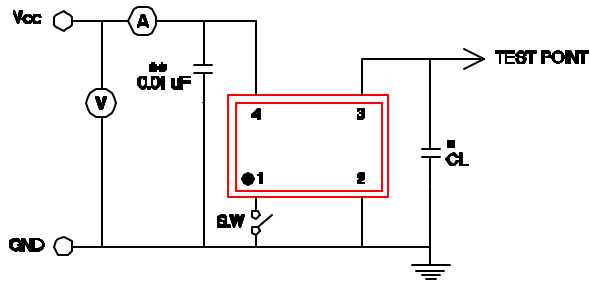
(continued)

SM7700D SERIES

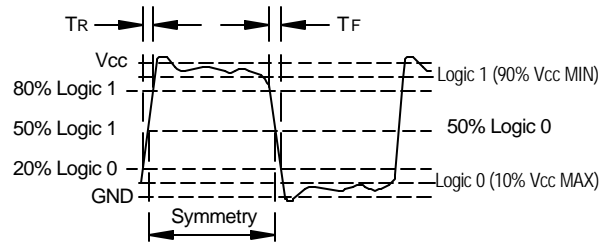
Input Current (I_{CC}), Rise and Fall time with 15pF Load & Jitter

Frequency Range (MHz)	I _{CC} (mA)		Tr & Tf (nS)		Period Jitter RMS Values (pS) *contact factory	
	Typical	Maximum	Typical	Maximum	Typical	Maximum
70.000 – 79.999	40.0	45.0	2.0	3.0	*	*
80.000 – 110.000	75.0	80.0	0.5	1.0	2.6	2.9
110.001 – 119.999	80.0	90.0	0.5	1.0	*	*
120.000 – 160.000	90.0	95.0	0.5	1.0	1.8	1.9

Recommended Test Circuit with CMOS Load



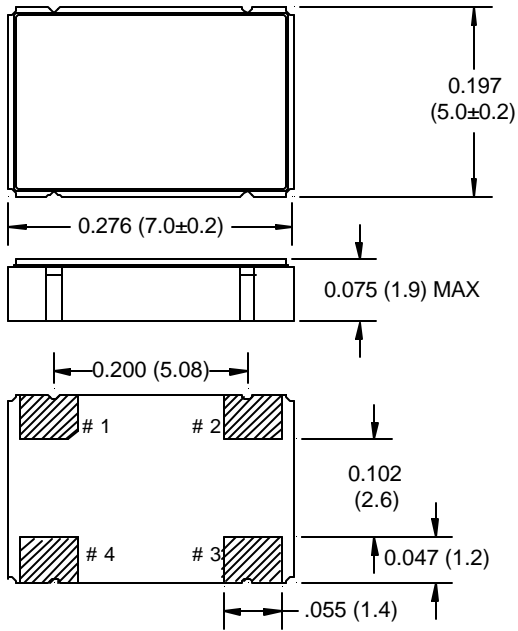
Waveform



*CL (Capacitive Load): Includes the input capacitance of oscilloscope.

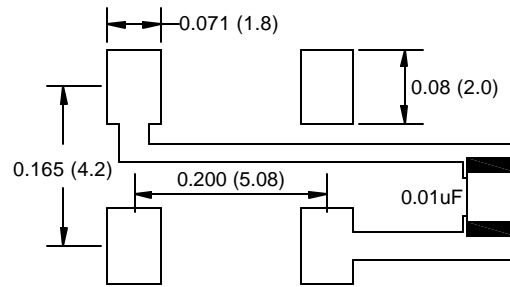
** 0.01μF external by-pass filter is recommended.

Package Outline (NOT TO SCALE):



PIN CONNECTIONS	
PIN	CONNECTION
1	ENABLE/DISABLE INPUT
2	GROUND
3	OUTPUT
4	V _{CC}

RECOMMENDED LAND PATTERN



INCHES (MILLIMETERS)

October 2000

X-ON Electronics

Largest Supplier of Electrical and Electronic Components

Click to view similar products for [Standard Clock Oscillators](#) category:

Click to view products by [Pletronics](#) manufacturer:

Other Similar products are found below :

[601252](#) [F335-12](#) [F335-25](#) [F535L-33.333](#) [F535L-50](#) [ASV-20.000MHZ-LR-T](#) [ECS-2018-160-BN-TR](#) [MXO45HS-2C-66.6666MHZ](#)
[SiT1602BI-22-33E-50.000000E](#) [SiT8209AI-32-33E-125.000000](#) [SIT8918AA-11-33S-50.000000G](#) [SM4420TEV-40.0M-T1K](#) [F335-24](#) [F335-40](#) [F535L-10](#) [F535L-12](#) [F535L-16](#) [F535L-24](#) [F535L-27](#) [F535L-48](#) [PE7744DW-100.0M](#) [CSX-750FCC14745600T](#) [ASF1-3.686MHZ-N-K-S](#)
[XO57CTECNA3M6864](#) [ECS-2100A-147.4](#) [601251](#) [EP16E7E2H26.000MTR](#) [SIT8918AA-11-33S-16.000000G](#) [XO3003](#) [9120AC-2D2-33E212.500000](#) [9102AI-243N25E100.00000](#) [8208AC-82-18E-25.00000](#) [ASDK2-32.768KHZ-LR-T3](#) [8008AI-72-XXE-24.545454E](#) [8004AC-13-33E-133.33000X](#) [AS-4.9152-16-SMD-TR](#) [ASFL1-48.000MHZ-LC-T](#) [SIT8920AM-31-33E-25.0000](#) [DSC1028DI2-019.2000](#) [9121AC-2C3-25E100.00000](#) [9102AI-233N33E100.00000X](#) [9102AI-233N25E200.00000](#) [9102AI-232H25S125.00000](#) [9102AI-133N25E200.00000](#) [9102AC-283N25E200.00000](#) [9001AC-33-33E1-30.000](#) [XLH536125.000JS4I](#) [3921AI-2CF-33NZ125.000000](#) [5730-1SF](#) [PXA000010](#)