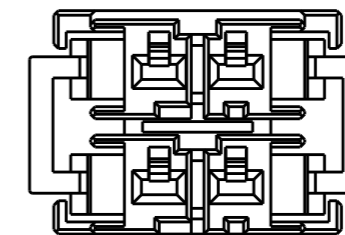
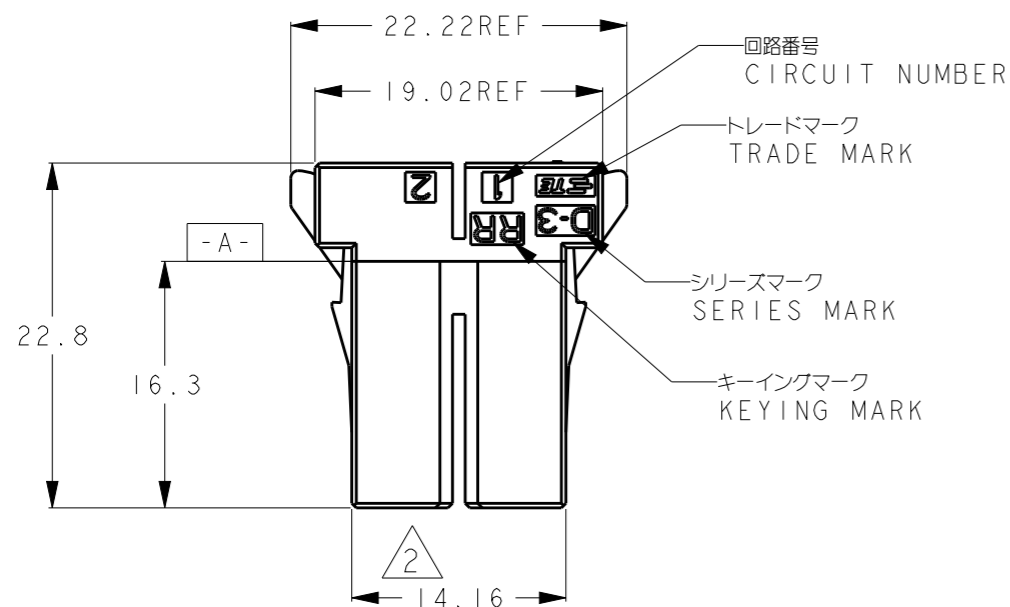


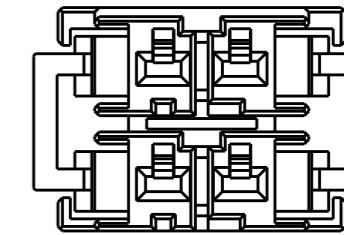
THIS DRAWING IS UNPUBLISHED. RELEASED FOR PUBLICATION 20  
 © COPYRIGHT 20 BY - ALL RIGHTS RESERVED.

REVISIONS  
 変更

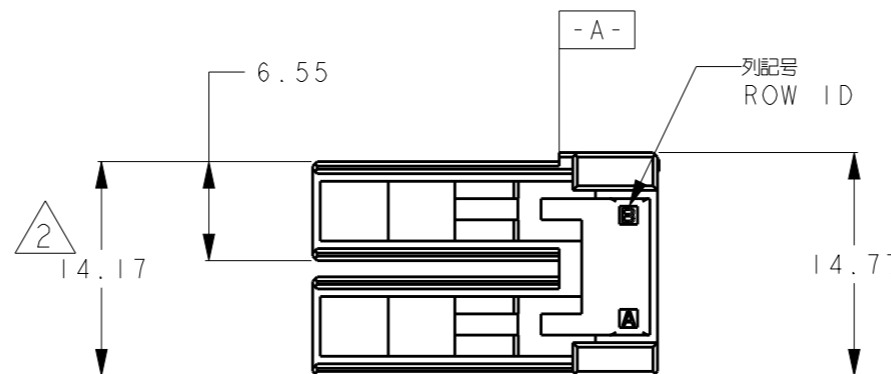
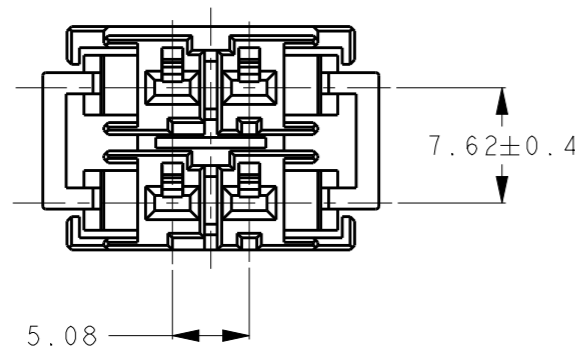
P	LTR	DESCRIPTION	DATE	DWN	APVD
	A	RELEASED	01AUG2016	Y.O	N.Y



RR-KEYING  
 1-2291727-1



SS-KEYING  
 2-2291727-1

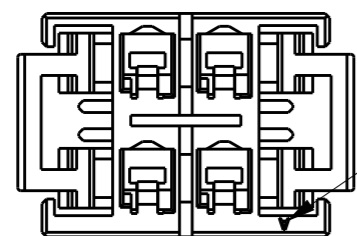
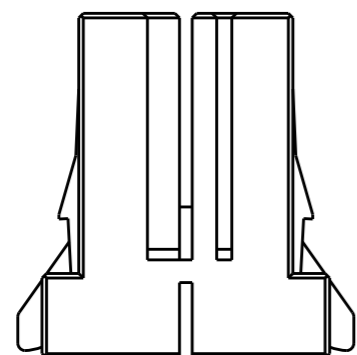


1 材料  
 熱可塑性ポリエステル  
 色: 黒色

2 本寸法はアータム -A- で測定されること

1 MATERIAL  
 THERMO PLASTIC, POLYESTER  
 COLOR: BLACK

2 THIS DIMENTION MUST BE MEASURED AT -A- OF HOUSING



1-2291727-1

キャビティマーク  
 CAVITY MARK

フック有り WITH HOOK	SS	4	2-2291727-2	
フック無し WITHOUT HOOK	SS		2-2291727-1	
フック有り WITH HOOK	RR		1-2291727-2	
フック無し WITHOUT HOOK	RR		1-2291727-1	
STRAIN RELIEF用のフック HOOK FOR STRAIN RELEAF		キーイング KEYING	極数 POS	型番 PART NUMBER

THIS DRAWING IS A CONTROLLED DOCUMENT.		DWN Y. OKADA 11 APR 2016	TE Connectivity	
DIMENSIONS: 単位: 耗 mm		CHK E. TAKEMASA 13 APR 2016		
TOLERANCES UNLESS OTHERWISE SPECIFIED: 一般公差 ±0.3		APVD N. YAMASAKI 13 APR 2016	NAME 名称 RECEPTACLE HOUSING, 4 POSN, DOUBLE ROW, HORIZONTAL, DYNAMIC 3200M	
0 PLC ±0.5 1 PLC ±0.1 2 PLC ±0.01 3 PLC ±0.005 4 PLC ± ANGLES ±3		PRODUCT SPEC 製品規格 108-5349	SIZE A300779	CAGE CODE C-2291727
MATERIAL 材料	FINISH 仕上	APPLICATION SPEC 取付適用規格	DRAWING NO 番号	RESTRICTED TO
SEE NOTE	-	WEIGHT -	SCALE 尺度 2:1	SHEET 1 OF 2
CUSTOMER DRAWING			REV A	

THIS DRAWING IS UNPUBLISHED.

RELEASED FOR PUBLICATION

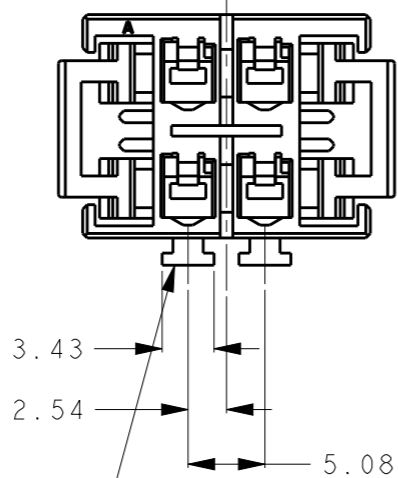
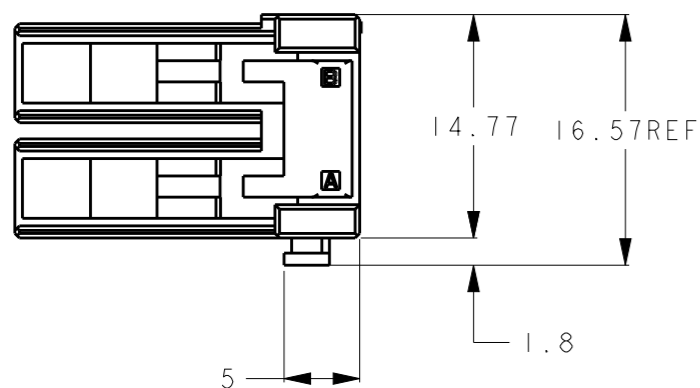
20

© COPYRIGHT 20 BY -

ALL RIGHTS RESERVED.

REVISIONS

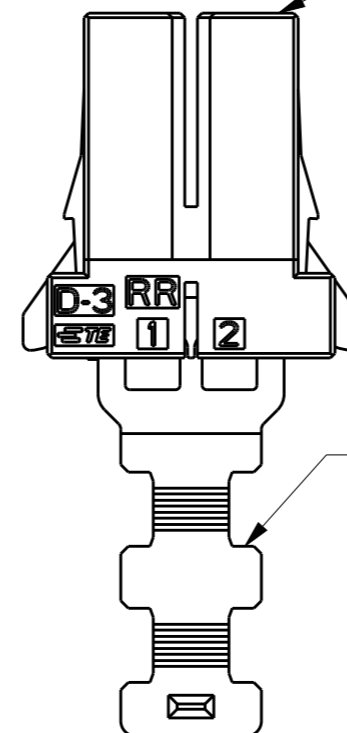
P	LTR	DESCRIPTION	DATE	DWN	APVD
-	-	SEE SHEET 1	-	-	-



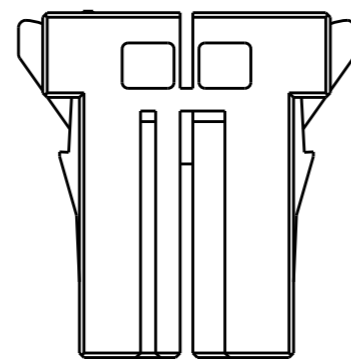
HOOK FOR STRAIN RELIEF

ストレーンリリーフ用フック

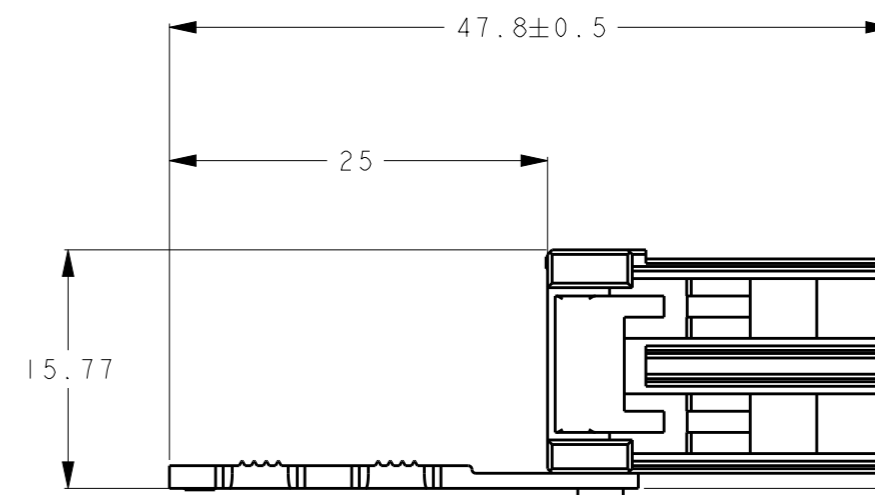
フック付きリセハウジング  
REC HOUSING WITH HOOK




ストレーンリリーフ  
STRAIN RELIEF



1-2291727-2



ストレーンリリーフ取り付け状態  
REC HOUSING WITH STRAIN RELIEF

THIS DRAWING IS A CONTROLLED DOCUMENT.		DWN Y. OKADA 11 APR 2016	 TE Connectivity	NAME RECEPTACLE HOUSING, 4 POSN, DOUBLE ROW, HORIZONTAL, DYNAMIC 3200M												
DIMENSIONS: mm		CHK E. TAKEMASA 13 APR 2016		PRODUCT SPEC 108-5349		SIZE A300779										
TOLERANCES UNLESS OTHERWISE SPECIFIED: ± 0.3		APVD N. YAMASAKI 13 APR 2016		APPLICATION SPEC -		CAGE CODE C-2291727										
<table border="1"> <tr><td>0 PLC</td><td>±0.5</td></tr> <tr><td>1 PLC</td><td>±0.1</td></tr> <tr><td>2 PLC</td><td>±0.01</td></tr> <tr><td>3 PLC</td><td>±0.005</td></tr> <tr><td>4 PLC</td><td>±</td></tr> <tr><td>ANGLES</td><td>±3</td></tr> </table>		0 PLC		±0.5	1 PLC	±0.1	2 PLC	±0.01	3 PLC	±0.005	4 PLC	±	ANGLES	±3	WEIGHT -	RESTRICTED TO -
0 PLC	±0.5															
1 PLC	±0.1															
2 PLC	±0.01															
3 PLC	±0.005															
4 PLC	±															
ANGLES	±3															
MATERIAL - SEE NOTE		FINISH -	CUSTOMER DRAWING		SCALE 2:1											
			SHEET 2 OF 2		REV A											

## X-ON Electronics

Largest Supplier of Electrical and Electronic Components

*Click to view similar products for [Headers & Wire Housings](#) category:*

*Click to view products by [TE Connectivity](#) manufacturer:*

Other Similar products are found below :

[95000-104TRLF](#) [10135584-644402LF](#) [DF62W-EP2022PCA](#) [95000-106TRLF](#) [DF62W-2022SCA](#) [DF62W-EP2022PC](#) [2203348](#) [DF62W-2022SC](#) [1084018](#) [1029039](#) [1084017](#) [802-10-012-10-002000](#) [1112640](#) [1112639](#) [000-34000](#) [0009482033](#) [0009507031](#) [57102-S06-03LF](#) [57202-S52-04LF](#) [PCN6-15S-2.5E](#) [0039019024](#) [58102-G61-06LF](#) [582553-1](#) [0009485154](#) [0009508121](#) [0022285053](#) [0050291907](#) [018731A](#) [LY20-4P-DT1-P1E-BR](#) [02.125.8002.8](#) [60101931](#) [60598-1 \(Cut Strip\)](#) [M1625-3R/100](#) [61062-3](#) [61082-181009](#) [636-1427](#) [638009-1](#) [641938-9](#) [641991-4](#) [644168-1](#) [647662-1](#) [65039-019ELF](#) [65781-047](#) [65817-002LF](#) [65817-015LF](#) [65863-015LF](#) [66207-023LF](#) [67016-026LF](#) [67046-001LF](#) [67095-007LF](#)