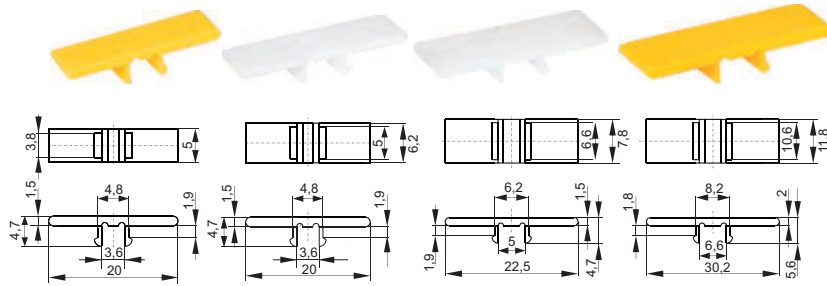
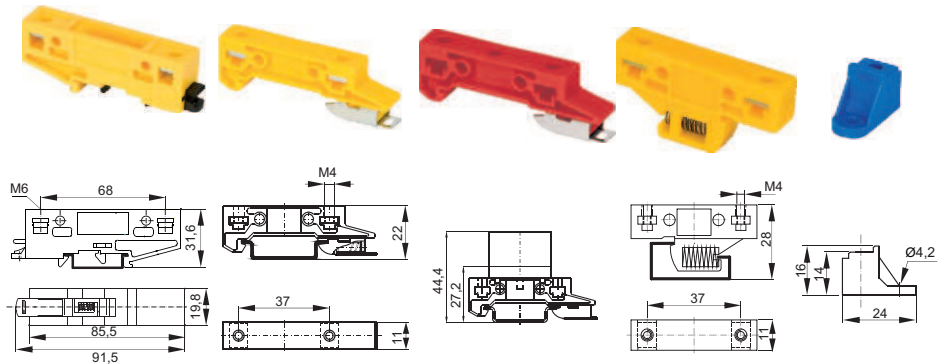


Covers

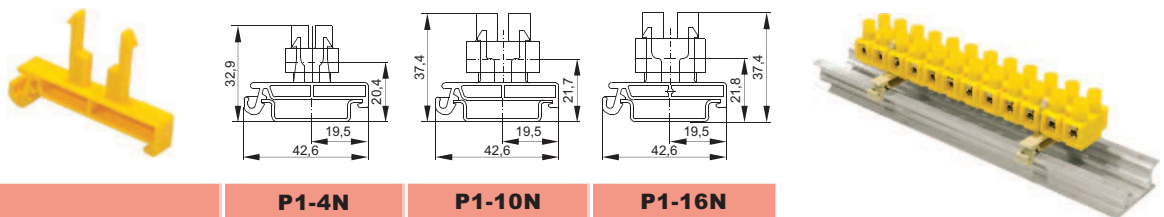


TYPE	OZG-2,5	OZG-4	OZG-10	OZG-16
Catalogue number	99-510	99-520	99-530	99-540
Colour	<ul style="list-style-type: none"> yellow-1 ● white-2 ○ black-3 ● green-5 ● blue-6 ● red-7 ● grey-8 ● 	<ul style="list-style-type: none"> yellow-1 ● white-2 ○ black-3 ● green-5 ● blue-6 ● red-7 ● grey-8 ● 	<ul style="list-style-type: none"> yellow-1 ● white-2 ○ black-3 ● green-5 ● blue-6 ● red-7 ● grey-8 ● 	<ul style="list-style-type: none"> yellow-1 ● white-2 ○ black-3 ● green-5 ● blue-6 ● red-7 ● grey-8 ●
Use as	Bolts cover for:			
	ZG-G2,5	ZG-G4 ZG-G4 PE/L/N ZG-G4 PE/L/L ZG-G31...36	ZG-G10	ZG-G16
Width	5mm	6,2mm	7,8mm	11,8mm
Insulating material	polyamide	polyamide	polyamide	polyamide
Ambient temperature	-25...+100°C	-25...+100°C	-25...+100°C	-25...+100°C
Package	25pcs.	25pcs.	25pcs.	25pcs.

Mounting bases



TYPE	WMU-1	WM35	WM35/LZ-B	WM32 ¹⁾	ZO
Catalogue number	45-250	45-220	12-090	45-210	45-2306
Colour	<ul style="list-style-type: none"> yellow-1 ● blue-6 ● grey-8 ● 	<ul style="list-style-type: none"> yellow-1 ● blue-6 ● grey-8 ● 	<ul style="list-style-type: none"> white-2 ○ black-3 ● blue-6 ● red-7 ● 	<ul style="list-style-type: none"> yellow-1 ● blue-6 ● grey-8 ● 	<ul style="list-style-type: none"> blue ●
Use	For installing:				
	large devices on rails TS32/AL and TS35	terminal blocks and branches on rails TS35; TS35-15/AL	LZ-B	terminal blocks and branches on rails TS32/AL	ZO to base
Insulating material	polyamide	polyamide	polyamide with glass fibre	polyamide	polyamide
Ambient temperature	-25...+100°C	-25...+100°C	-25...+150°C	-25...+100°C	-25...+100°C
Package	10pcs.	50pcs.	1pc.	50pcs.	100pcs.



TYPE	P1-4N	P1-10N	P1-16N
Catalogue number	45-271	45-273	45-275
Colour	<ul style="list-style-type: none"> yellow-1 ● white-2 ○ black-3 ● grey-8 ● 	<ul style="list-style-type: none"> yellow-1 ● white-2 ○ black-3 ● grey-8 ● 	<ul style="list-style-type: none"> yellow-1 ● white-2 ○ black-3 ● grey-8 ●
Use	TLZ-4N on TS35 rail assembly	TLZ-10N on TS35 rail assembly	TLZ-16N on TS35 rail assembly
Insulating material	polyamide	polyamide	polyamide
Ambient temperature	-25...+100°C	-25...+100°C	-25...+100°C
Package	10pcs.	10pcs.	10pcs.

¹⁾ on request

X-ON Electronics

Largest Supplier of Electrical and Electronic Components

Click to view similar products for [DIN Rail Terminal Blocks](#) category:

Click to view products by [POKOJ](#) manufacturer:

Other Similar products are found below :

[1045932](#) [00110420202](#) [00110430402](#) [5724.2/L](#) [592808-3](#) [CTS25U/BL](#) [CTS2.5U-N/Y](#) [90.080](#) [91.010](#) [91.040](#) [DP25-GY-ND](#) [15288](#) [90.070](#)
[90.202](#) [90.905](#) [91.001](#) [91.020](#) [91.201](#) [91.340](#) [2713793](#) [280-331](#) [283-317](#) [283-607](#) [2909044](#) [2909798](#) [29-2052](#) [SRT2-OD08CL-1](#)
[CDL4U\(E\)MOV](#) [2757801](#) [2794660](#) [284-317](#) [2890975](#) [2907033](#) [3048496](#) [CTS2.5U-N/O](#) [5542152](#) [5602077](#) [0709880](#) [5520682](#) [5607102](#)
[EPUSC](#) [SRT2-OD16P](#) [2901288](#) [591620-2](#) [1-591651-1](#) [NRA37-1/2](#) [592814-1](#) [592814-3](#) [SRT2-ID16P](#) [NRA37-12](#)