

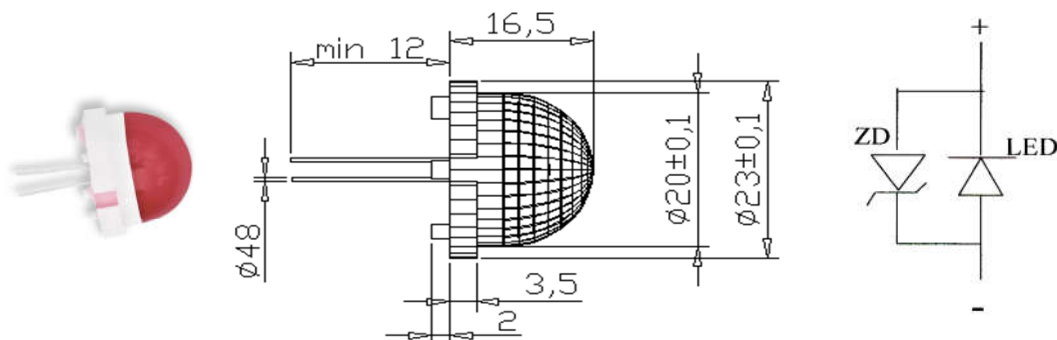


POLAM-ELTA Sp. z o.o.

LED DIODES
LED CONTROL LAMPS
www.polamelta.com

Jerozolimskie Avenue 202
02-486 Warsaw, POLAND
phone: (+48) 22-837-22-07
fax (+48) 22-207-24-28
e-mail: polamelta@polamelta.com.pl

LED DIODES $\Phi 20$ (CQL-4XX)



| Nr | Type | Wave length | Lens colour | Luminosity [mcd] min - max | Angle of luminosity [degrees] | UF [V] | IF [mA] feed current |
|-----|--------------------|-------------|--------------------|----------------------------|-------------------------------|---------|----------------------|
| 1. | CQL-431-3 (O) | 608 | diffusive - orange | 3500-4000 | 120 | 6,2-6,4 | 20 |
| | | 608 | diffusive - orange | 900-1000 | | 5,7-5,8 | |
| 2. | CQL-433-3 (R) | 625 | diffusive - red | 2900-3000 | 120 | 6,3-6,4 | 20 |
| | | 625 | diffusive - red | 720-740 | | 5,7 | |
| 3. | CQL-433 / HV (R) | 625 | diffusive - red | 7000 | 120 | 33 | 7 |
| | | 625 | diffusive - red | 900-1000 | | 30 | |
| 4. | CQL-434-2 (B) | 460-470 | diffusive - blue | 550-750 | 120 | 5,7-6,0 | 20 |
| | | 460-470 | diffusive - blue | 160-220 | | 5,3-5,6 | |
| 5. | CQL-434 / HV (B) | 460-470 | diffusive - blue | 1700 | 120 | 11 | 20 |
| | | 460-470 | diffusive - blue | 480-500 | | 10,5 | |
| 6. | CQL-435-3 (Y) | 590-592 | diffusive - yellow | 2800-3000 | 120 | 6,6-6,7 | 20 |
| | | 590-592 | diffusive - yellow | 650-700 | | 5,8-5,9 | |
| 7. | CQL-436-2 (G) | 525 | diffusive - green | 2300-2800 | 120 | 6,0-6,5 | 20 |
| | | 525 | diffusive - green | 650-700 | | 5,6-5,8 | |
| 8. | CQL-4100 (W) | 3000 K | diffusive - white | 2800-3000 | 120 | 2,8-2,9 | 20 |
| | | 3000 K | diffusive - white | 750-800 | | 2,6-2,7 | |
| 9. | CQL-417 / WK (RG) | 625 | diffusive - white | 1900-2100 | 120 | 4,2-4,3 | 20 |
| | | 525 | | 1100-1400 | | 3,2-3,3 | |
| 10. | CQL-410 / WK (RGY) | 625 | diffusive - white | 1900-2100 | 120 | 4,2-4,3 | 20 |
| | | 525 | | 1100-1400 | | 3,2-3,3 | |
| | | 590-592 | | 1900-2000 | | 4,6-4,7 | |
| 11. | CQL-410 / WK (RGB) | 625 | diffusive - white | 1900-2100 | 120 | 4,2-4,3 | 20 |
| | | 525 | | 1100-1400 | | 3,2-3,3 | |
| | | 460-470 | | 340-360 | | 2,9-3,0 | |

BLINKING LED DIODES $\Phi 20$ (CQL-4XX / MZ)

| Nr | Type | Wave length | Lens colour | Luminosity [mcd] min - max | Angle of luminosity [degrees] | UF [V] | IF [mA] feed current |
|----|--------------------|-------------|--------------------|----------------------------|-------------------------------|--------|----------------------|
| 1. | CQL-433 / MZ (R) | 625 | diffusive - red | 1900-2000 | 120 | 5,0-15 | 20 |
| 2. | CQL-434 / MZ (B) | 460-470 | diffusive - blue | 550-750 | 120 | 6,0-15 | 20 |
| 3. | CQL-435 / MZ (Y) | 590-592 | diffusive - yellow | 1900-2000 | 120 | 5,0-15 | 20 |

Blinking frequency: 2,4 Hz

All LED diodes $\Phi 20$ have an internal zener chip as a surge protector.

X-ON Electronics

Largest Supplier of Electrical and Electronic Components

Click to view similar products for [Standard LEDs - Through Hole category](#):

Click to view products by [Polam-Elta manufacturer](#):

Other Similar products are found below :

[LTL-10254W](#) [LTL-1214A](#) [LTL-1BEDJ](#) [LTL-2231AT](#) [LTL-3251A](#) [LTL-4262N](#) [LTL-5234](#) [LTL87HTBK](#) [LTD-87HD4B](#) [7383/V7C3-BSTA-L/PR3/MS](#) [G22041431007J2C000](#) [HLMP-AG64-X10ZZ](#) [HLMP-EG1A-Z10DV](#) [HLMP-EL3B-WXKDD](#) [HLMP-HB74-UVBDD](#) [HLMP-HG65-VY0DD](#) [HLMP-HM74-34CDD](#) [HLMP-HM75-34CDD](#) [1L0532V23G0TD001](#) [NSPW500CS](#) [C4SMA-BGF-CQ34Q3C2](#) [L53GC13](#) [264-7SURTS530-A3](#) [L-C150JRCT](#) [S4SMS-BJF-CQ42QGF2](#) [S4SMS-GJF-CW12QMF2](#) [LD CQDP-1U3U-W5-1-K](#) [LNX998CKBDA](#) [LO566UHR3-70G-A3](#) [SLA560WBD2PT3](#) [LP379PPG1C0G0300001](#) [SLR-322MCT32](#) [SLR-342DUT32](#) [SLR-342MC3F](#) [SLR343BC7TT32](#) [SLR343BCTT32](#) [SLX-LX3044GD](#) [SLX-LX3044ID](#) [SLX-LX3044YD](#) [SNW-LX504SRC/4](#) [1.90690.3330000](#) [SSL-LX20483ID](#) [SSL-LX3034YD](#) [SSL-LX5093LGT-11](#) [SSL-LX5093PGC](#) [SSL-LX5093SRC/F](#) [SSL-LX5093SYT](#) [SSL-LX5099SRSGC-CA](#) [SSL-LX509E3SIT](#) [SSL-LX509FT3ID](#)