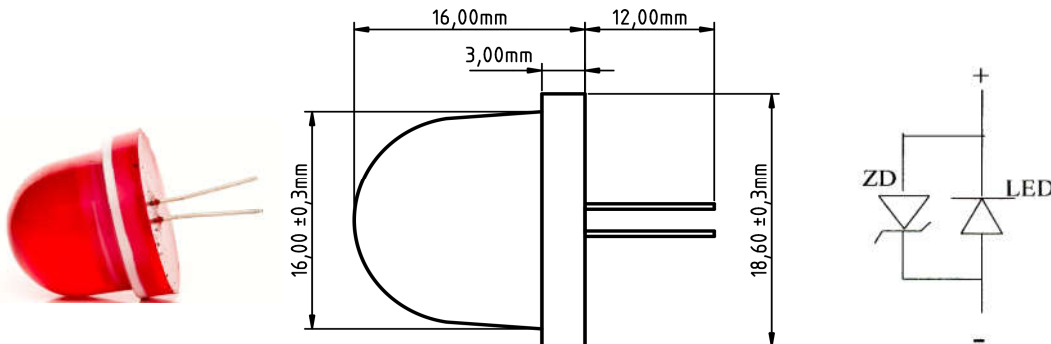




### LED DIODES $\Phi$ 16 (CQL-7XX)



Nr	Type	Wave length	Lens colour	Luminosity [mcd] min - max	Angle of luminosity [degrees]	UF [V]	IF [mA] feed current
1.	CQL-731-2 ( O )	608	diffusive - orange	3000-3200	90	4,0-4,2	20
		608	diffusive - orange	750-800			
2.	CQL-733-2 ( R )	625	diffusive - red	2700-3000	90	4,0-4,2	20
		625	diffusive - red	650-700			
3.	CQL-733 / HV ( R )	625	diffusive - red	8000	90	33	7
		625	diffusive - red	1300-1500			
4.	CQL-734 ( B )	460-470	diffusive - blue	450-500	90	2,9-3,0	20
		460-470	diffusive - blue	140-150			
5.	CQL-734 / HV ( B )	460-470	diffusive - blue	2200-2500	90	11	20
		460-470	diffusive - blue	600-650			
6.	CQL-735-2 ( Y )	590-592	diffusive - yellow	2700-300	90	4,2-4,4	20
		590-592	diffusive - yellow	600-700			
7.	CQL-736 ( G )	525	diffusive - green	1700-1800	90	3,1-3,2	20
		525	diffusive - green	550-600			
8.	CQL-7100 ( W )	3000 K	diffusive - white	3400-3600	90	2,8-2,9	20
		3000 K	diffusive - white	900-1000			
9.	CQL-717 / WK (RG)	625	diffusive - white	2700-3000	90	4,0-4,2	20
		525		3,1-3,2			
10.	CQL-710 / WK (RGY)	625	diffusive - white	2700-3000	90	4,0-4,2	20
		525		1700-1800		3,1-3,2	
		590-592		2700-3000		4,2-4,4	
11.	CQL-710 / WK (RGB)	625	diffusive - white	2700-3000	90	4,0-4,2	20
		525		1700-1800		3,1-3,2	
		460-470		450-500		2,9-3,0	

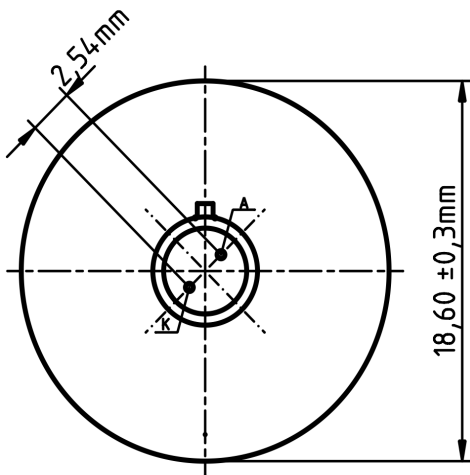
### BLINKING LED DIODES $\Phi$ 16 (CQL-7XX / MZ)

Nr	Type	Wave length	Lens colour	Luminosity [mcd] min - max	Angle of luminosity [degrees]	UF [V]	IF [mA] feed current
1.	CQL-733 / MZ ( R )	625	diffusive - red	2700-3000	120	5,0-15	20
2.	CQL-734 / MZ ( B )	460-470	diffusive - blue	450-500	120	6,0-15	20
3.	CQL-735 / MZ ( Y )	590-592	diffusive - yellow	2700-3000	120	5,0-15	20

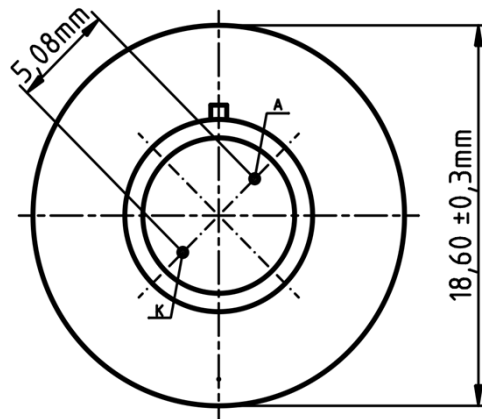
Blinking frequency: 2,4 Hz

Spacing of pins in particular types of 16mm LED diodes:

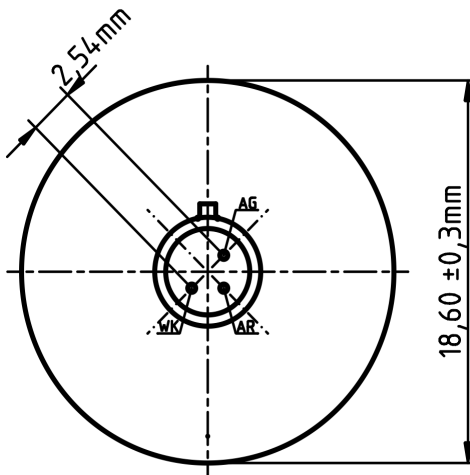
single-colors and flashing diodes



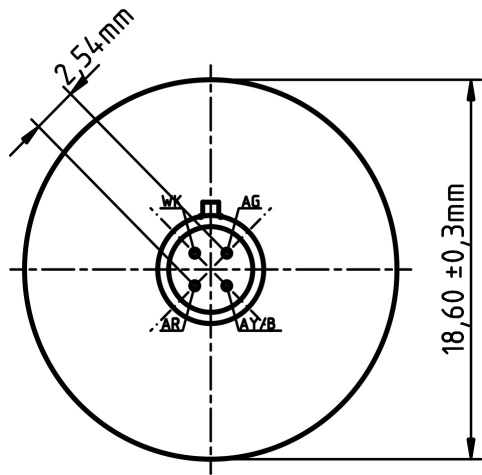
high voltage diodes (HV)



bicolor diodes



three-colored diodes



All LED diodes  $\Phi 16$  have an internal zener chip as a surge protector.

Update date : 02-01-2019

## X-ON Electronics

Largest Supplier of Electrical and Electronic Components

*Click to view similar products for [Standard LEDs - Through Hole category](#):*

*Click to view products by [Polam-Elta manufacturer](#):*

Other Similar products are found below :

[LTL-10254W](#) [LTL-1214A](#) [LTL-1BEDJ](#) [LTL-2231AT](#) [LTL-3251A](#) [LTL-4262N](#) [LTL-5234](#) [LTL87HTBK](#) [LTD-87HD4B](#) [7383/V7C3-BSTA-L/PR3/MS](#) [G22041431007J2C000](#) [HLMP-AG64-X10ZZ](#) [HLMP-EG1A-Z10DV](#) [HLMP-EL3B-WXKDD](#) [HLMP-HB74-UVBDD](#) [HLMP-HG65-VY0DD](#) [HLMP-HM74-34CDD](#) [HLMP-HM75-34CDD](#) [1L0532V23G0TD001](#) [NSPW500CS](#) [C4SMA-BGF-CQ34Q3C2](#) [L53GC13](#) [264-7SURTS530-A3](#) [L-C150JRCT](#) [S4SMS-BJF-CQ42QGF2](#) [S4SMS-GJF-CW12QMF2](#) [LD CQDP-1U3U-W5-1-K](#) [LNX998CKBDA](#) [LO566UHR3-70G-A3](#) [SLA560WBD2PT3](#) [LP379PPG1C0G0300001](#) [SLR-322MCT32](#) [SLR-342DUT32](#) [SLR-342MC3F](#) [SLR343BC7TT32](#) [SLR343BCTT32](#) [SLX-LX3044GD](#) [SLX-LX3044ID](#) [SLX-LX3044YD](#) [SNW-LX504SRC/4](#) [1.90690.3330000](#) [SSL-LX20483ID](#) [SSL-LX3034YD](#) [SSL-LX5093LGT-11](#) [SSL-LX5093PGC](#) [SSL-LX5093SRC/F](#) [SSL-LX5093SYT](#) [SSL-LX5099SRSGC-CA](#) [SSL-LX509E3SIT](#) [SSL-LX509FT3ID](#)