

POLAM-ELTA Sp. z o.o.

LED DIODES
LED CONTROL LAMPS

www.polamelta.com

e-mail: polamelta@polamelta.com.pl

Jerozolimskie Avenue 202
02-486 Warsaw, POLAND
tel. (+48) 22-837-22-07
fax (+48) 22-207-24-28



COMPLIANCE DECLARATION NR 12/07/2018

Producer: POLAM-ELTA Sp. z o.o.
Jerozolimskie Avenue 202
02-486 Warsaw

KRS Nr: 0000190790
REGON: 001416903

We declare with a full responsibility that **specialized LED bulbs LW (white) with BA15D cap** we manufacture comply requirements imposed by:

1. **Low Voltage Directive** **LVD 2014/35/UE**
2. **Directive on the essential requirements for the restriction of the use of certain hazardous substances in electrical and electronic equipment** **ROHS 2011/65/UE**
3. **The standard norms (relating to the particular parts of a product):**
 - PN EN 612 36:2002 Works under voltage – bipolar indexes Nn
 - PN-80/E-85050 miniature light bulbs of general use
 - PN-EN 983:2000 miniature light bulbs

The year of obtaining CE sign: 07

Warszawa 09-07-2018

.....
Place and date of issue

PREZES ZARZĄDU

Ireneusz Tonder

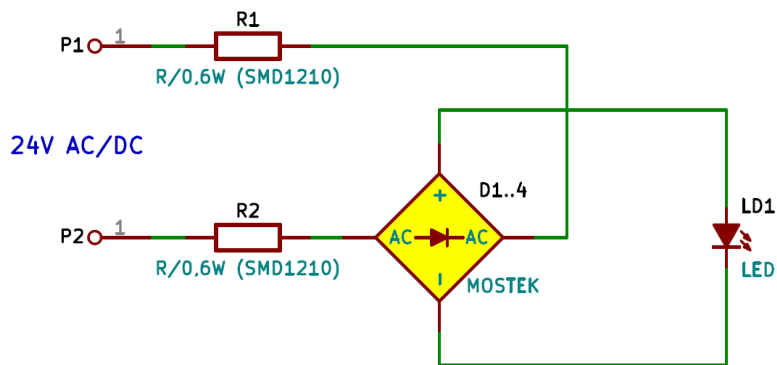
.....
Name, position and signature of authorized person

1. Product description :

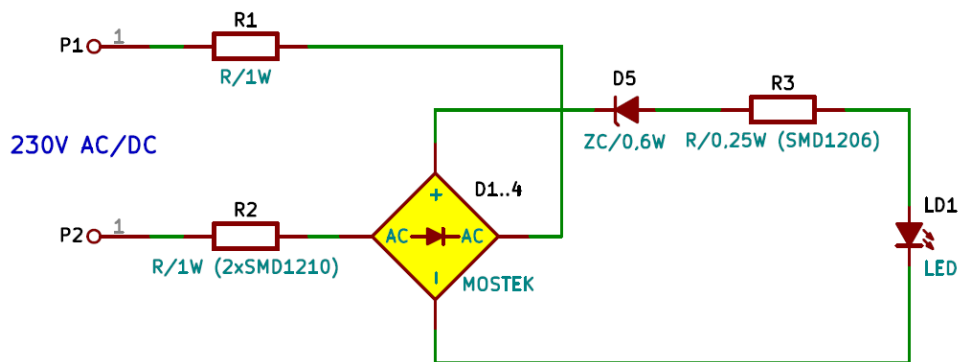
The declaration is concerned about LED signal lamps produced for a number of voltage ranging 24V - 230V-AC/DC (24V; 30V; 48V; 60V; 110V-130V; 220V; 230V). The lamps are designed for electric accessories use.

2. Technological documentation:

All the signal LED lamps are based on the following circuitry:
Full-wave rectifier (24V-AC/DC)

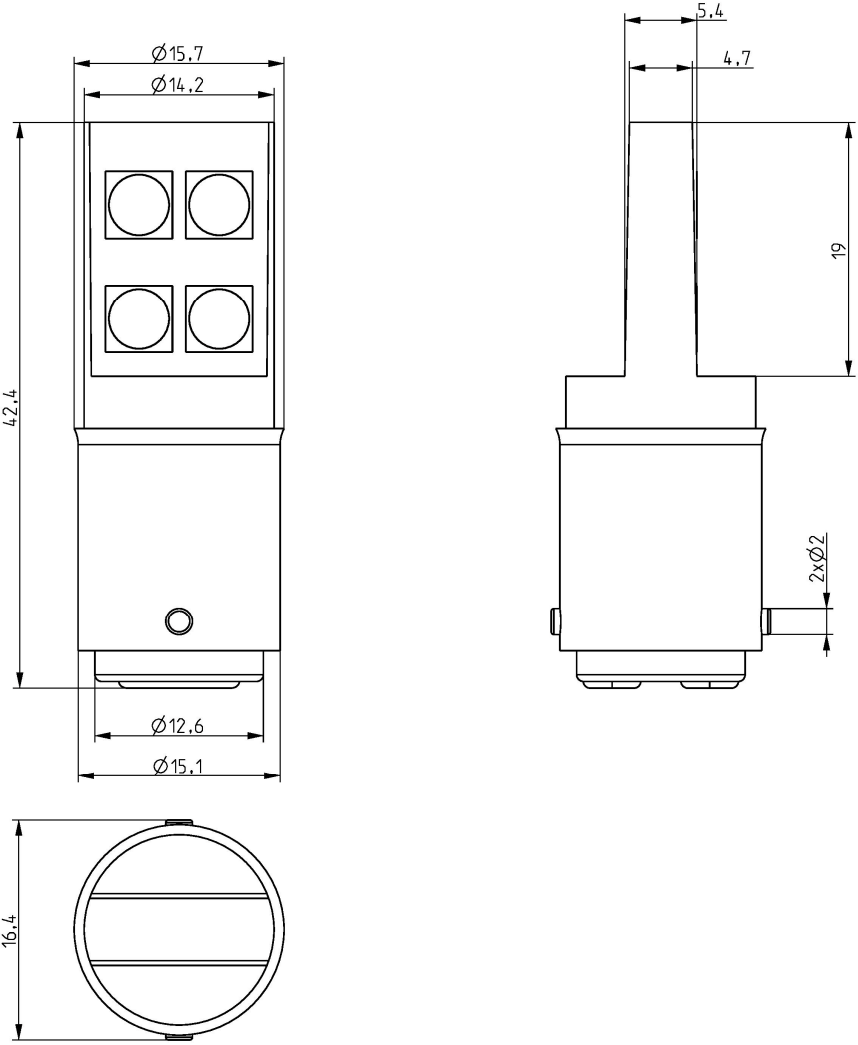


Full-wave rectifier (230V-AC/DC)



For 24V-AC/DC voltage, power consumption is 0,6 W and for 230V-AC/DC, it is 0,9 W.

- specialized LED bulbs BA15D white



X-ON Electronics

Largest Supplier of Electrical and Electronic Components

Click to view similar products for [LED Panel Mount Indicators](#) category:

Click to view products by [Polam-Elta](#) manufacturer:

Other Similar products are found below :

[607-1312-310F](#) [607-3232-140F](#) [6091M1-24V](#) [6091M5-24V](#) [6091M7-24V](#) [821-0331-503](#) [FL2870C8R](#) [FL2950WL7B](#) [FL589WL8R](#)
[Q6P3BXXB12E](#) [H8630FBBA3](#) [MPC5ADW6.0](#) [DX1091GN](#) [NL177WL3G](#) [NL276C3G](#) [NL2950BWL3G](#) [NL2950CWL2R](#) [NL589WL2R](#)
[NL67C3G](#) [NL67C3R](#) [2191L1-12V](#) [PB22SIOL0RG](#) [PB22SPPM41R](#) [PB22SPPM61R](#) [LE177C5B](#) [LH1048BSWL3702](#) [LH1048BWL3702](#)
[LH382A](#) [LHM62B](#) [SSI-LXH387USBD-150](#) [SSI-LXH9ZIC40587](#) [SSP-LXS110818BA](#) [FL2950BWL7R](#) [FL2950WL7R](#) [FL2951WL8G](#)
[FL2951WL8R](#) [FL589C7R](#) [FL67C7R](#) [FL67WL8G](#) [2191QU7-24V](#) [2191U1-12V](#) [2191U5-12V](#) [2191U5-6V](#) [2191U7-12V](#) [249-4167-3734-](#)
[504F](#) [Q6P5BXXG02E](#) [3990A7](#) [5110F3-12V](#) [MPC5BCW18.0](#) [556-1237-801F](#)