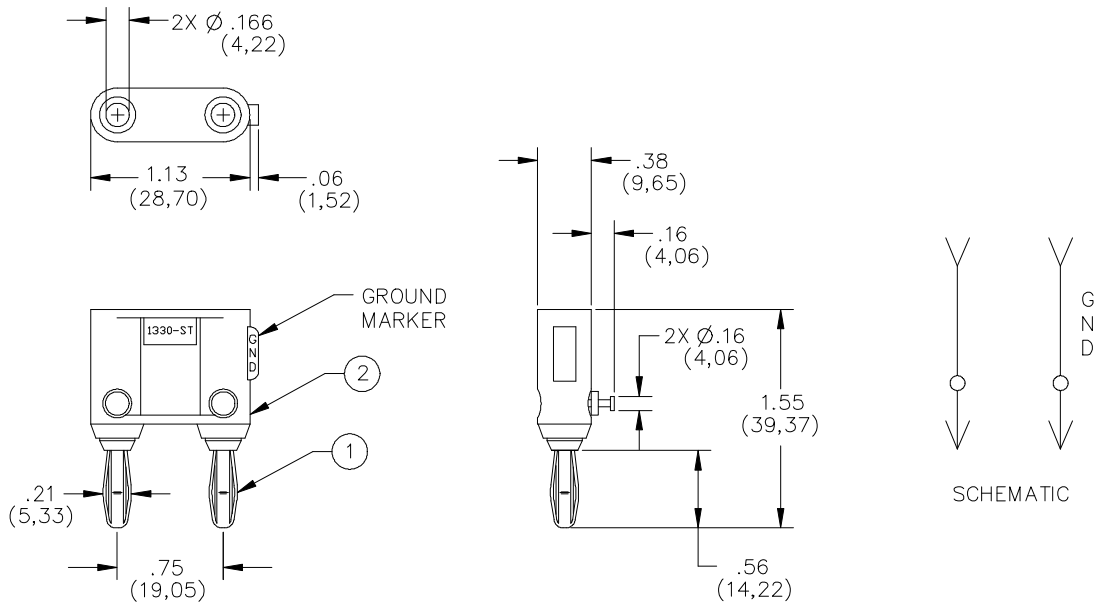


## Model 1330-ST

### Stacking Double Banana Plug

### With Solder Turret Terminals



**FEATURES:**

- Features a solder turrets for mounting small discrete components with setscrews.
- For test versatility, banana plugs can be vertically and horizontally stacked to the adapter.
- The Banana Plug features Nickel Plated, Beryllium Copper for tarnish resistance & long insertion life.

**MATERIALS:**

Banana Plug

Body: Brass, Nickel Plated

Spring: Beryllium Copper

Insulation:

ABS Molded Banana Plug Bodies:

Color: Per Part Number

Marking: "1330-ST POMONA ELECTRONICS CO, INC. POMONA CALIFORNIA"

**RATINGS:**

Operating Voltage: Hand-held Testing: 30VAC/60VDC Max.

Hand Free Testing in controlled Voltage Environment: 5000 WVDC.

Operating Temperature: +50°C (+122°F) Max.

Current: 15 Amperes.

**ORDERING INFORMATION: Model 1330-ST-\***

\* = Color, Standard Colors: -0 Black, -2 Red, -9 White

All dimensions are in inches. Tolerances (except noted): .xx = ±.02" (.51 mm), .xxx = ±.005" (.127 mm).

All specifications are to the latest revisions. Specifications are subject to change without notice.

Registered trademarks are the property of their respective companies. Made in USA

## X-ON Electronics

Largest Supplier of Electrical and Electronic Components

*Click to view similar products for [Test Plugs & Test Jacks](#) category:*

*Click to view products by [Pomona](#) manufacturer:*

Other Similar products are found below :

[01-2601-4-0210](#) [01-2601-4-0212](#) [01-2604-4-0212](#) [01-2604-5-0210](#) [01-2150-1-0312](#) [01-2350-1-02](#) [01-2352-1-02](#) [01-2368-1-02](#) [01-2604-4-0210](#) [01-2604-5-0212](#) [01-2606-4-0210](#) [01-2606-4-0212](#) [01-2606-5-0212](#) [M39024/10-01G](#) [M39024/10-17G](#) [M39024/11-09G](#) [M39024/11-42](#) [M39024/11-43](#) [M39024/12-08](#) [707-5311](#) [707-5402-01-19](#) [707-5410](#) [923739-40-I](#) [R644543000](#) [R948161000](#) [R999351000](#) [1408-4](#) [1499-101](#) [1533-1](#) [1659559](#) [1659567](#) [1663921](#) [1663939](#) [1696-102](#) [174-R825B-EX](#) [NYS508-BU](#) [NYS508-O](#) [211-101](#) [RS100GBL](#) [RS250GBL](#) [251-102](#) [25-2251-2-03](#) [25-2259-2-03](#) [923743-16-I](#) [923743-24-I](#) [923743-28-I](#) [2854-BLU](#) [2970-BLK](#) [30-443G](#) [1680](#)