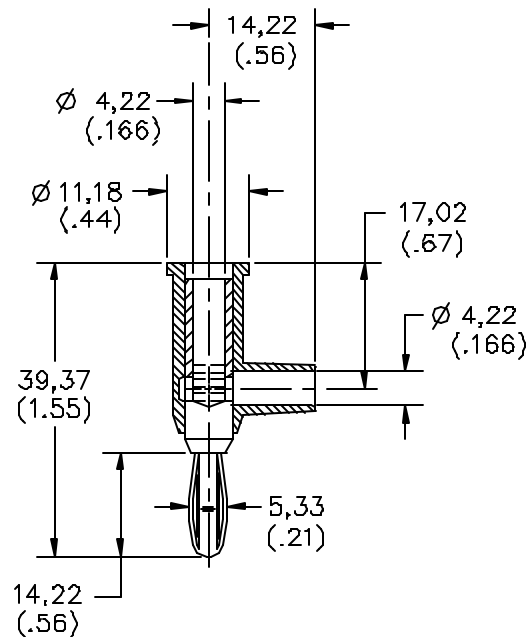


Model 1825, 4897 & 4899 Do-It-Yourself Solderless Stackup Banana Plug With Safety Collar



FEATURES:

- Easy solderless wire attachment by means of an internal set screw.
- Compatible with 18 to 22 AWG wire.
- Integral safety collar insulates wire conductor and offers wire strain relief.
- Banana Plug/Jack springs are beryllium copper for long insertion life.
- Vertical stackup feature offers test versatility.

MATERIALS:

Banana Jack: Beryllium Copper, Gold Plated

Banana Plug: Body – Brass, Nickel Plated (Model 4897 Gold Plated)

Spring – Beryllium Copper, Nickel Plated (Model 4897 Gold Plated)

Insulation: ABS (Model 4899 Polyphenylene Sulfide), Marking “POMONA ELECTRONICS” & Part Number

Set Screw (8-32 Single Slot): Steel, Zinc Plated

RATINGS:

Operating Voltage: Hand-held Testing: 30VAC/60VDC Max.

Hand Free Testing in controlled Voltage Environment: 5000 WVDC.

Current: 15 Amperes Max.

Operating Temperature: +50°C (+122°F), Model 4899 +150°C (+302°F)

ORDERING INFORMATION: Models 1825-* & 4897-*

* = Color: -0 Black, -1 Brown, -2 Red, -3 Orange, -4 Yellow, -5 Green, -6 Blue, -7 Violet, -8 Gray, -9 White
4899 -*

* = Color, Standard Colors: -0 Black, -6 Blue

All dimensions are in inches. Tolerances (except noted): .xx = ±.02" (.51 mm), .xxx = ±.005" (.127 mm).

All specifications are to the latest revisions. Specifications are subject to change without notice.

Registered trademarks are the property of their respective companies. Made in USA

X-ON Electronics

Largest Supplier of Electrical and Electronic Components

Click to view similar products for [Test Plugs & Test Jacks](#) category:

Click to view products by [Pomona](#) manufacturer:

Other Similar products are found below :

[01-2601-4-0210](#) [01-2601-4-0212](#) [01-2604-4-0212](#) [01-2604-5-0210](#) [01-2150-1-0312](#) [01-2350-1-02](#) [01-2352-1-02](#) [01-2368-1-02](#) [01-2604-4-0210](#) [01-2604-5-0212](#) [01-2606-4-0210](#) [01-2606-4-0212](#) [01-2606-5-0212](#) [M39024/10-01G](#) [M39024/10-17G](#) [M39024/11-09G](#) [M39024/11-42](#) [M39024/11-43](#) [M39024/12-08](#) [707-5311](#) [707-5402-01-19](#) [707-5410](#) [923739-40-I](#) [R644543000](#) [R948161000](#) [R999351000](#) [1408-4](#) [1499-101](#) [1533-1](#) [1659559](#) [1659567](#) [1663921](#) [1663939](#) [1696-102](#) [174-R825B-EX](#) [NYS508-BU](#) [NYS508-O](#) [211-101](#) [RS100GBL](#) [RS250GBL](#) [251-102](#) [25-2251-2-03](#) [25-2259-2-03](#) [923743-16-I](#) [923743-24-I](#) [923743-28-I](#) [2854-BLU](#) [2970-BLK](#) [30-443G](#) [1680](#)