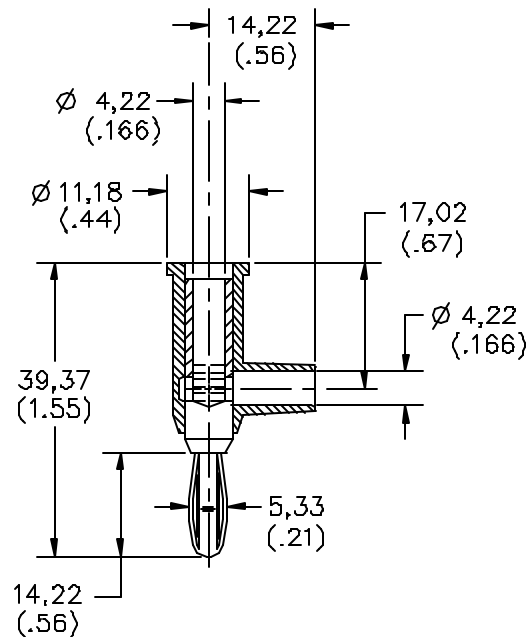


## Model 1825, 4897 & 4899 Do-It-Yourself Solderless Stackup Banana Plug With Safety Collar



### FEATURES:

- Easy solderless wire attachment by means of an internal set screw.
- Compatible with 18 to 22 AWG wire.
- Integral safety collar insulates wire conductor and offers wire strain relief.
- Banana Plug/Jack springs are beryllium copper for long insertion life.
- Vertical stackup feature offers test versatility.

### MATERIALS:

Banana Jack: Beryllium Copper, Gold Plated

Banana Plug: Body – Brass, Nickel Plated (Model 4897 Gold Plated)

Spring – Beryllium Copper, Nickel Plated (Model 4897 Gold Plated)

Insulation: ABS (Model 4899 Polyphenylene Sulfide), Marking “POMONA ELECTRONICS” & Part Number

Set Screw (8-32 Single Slot): Steel, Zinc Plated

### RATINGS:

Operating Voltage: Hand-held Testing: 30VAC/60VDC Max.

Hand Free Testing in controlled Voltage Environment: 5000 WVDC.

Current: 15 Amperes Max.

Operating Temperature: +50°C (+122°F), Model 4899 +150°C (+302°F)

### ORDERING INFORMATION: Models 1825-\* & 4897-\*

\* = Color: -0 Black, -1 Brown, -2 Red, -3 Orange, -4 Yellow, -5 Green, -6 Blue, -7 Violet, -8 Gray, -9 White  
4899 -\*

\* = Color, Standard Colors: -0 Black, -6 Blue

All dimensions are in inches. Tolerances (except noted): .xx = ±.02" (.51 mm), .xxx = ±.005" (.127 mm).

All specifications are to the latest revisions. Specifications are subject to change without notice.

Registered trademarks are the property of their respective companies. Made in USA

## X-ON Electronics

Largest Supplier of Electrical and Electronic Components

*Click to view similar products for [Test Plugs & Test Jacks](#) category:*

*Click to view products by [Pomona](#) manufacturer:*

Other Similar products are found below :

[579-0400](#) [66000-7](#) [R644543000](#) [R921923000](#) [R921930000](#) [R941344000](#) [R948161000](#) [R999351000](#) [1408-4](#) [1533-1](#) [174-R825B-EX](#)  
[NYS508-BU](#) [NYS508-O](#) [1680](#) [174-R819B-EX](#) [R644543003](#) [R644543004](#) [R644543020](#) [R644543021](#) [R921926000](#) [R921931000](#)  
[R921932000](#) [R921934000](#) [R929991000](#) [R941460000](#) [R941461000](#) [R941463600](#) [R941920600](#) [R948160000](#) [31B-2-RED](#) [032-0016-023](#) [105-](#)  
[1106-001](#) [108-1000-106](#) [108-2301-621](#) [66001-9](#) [7013](#) [1395080-1](#) [930166100](#) [NYS508-GR](#) [NYS508-V](#) [NYS508-W](#) [NYS508-Y](#) [NYS511-R](#)  
[BP30-2BR10-B PKG](#) [BP30-10-WT](#) [BP30-2BR-B PKG](#) [BP30Y-1 PKG](#) [R941049000](#) [R941340000](#) [R948141029](#)