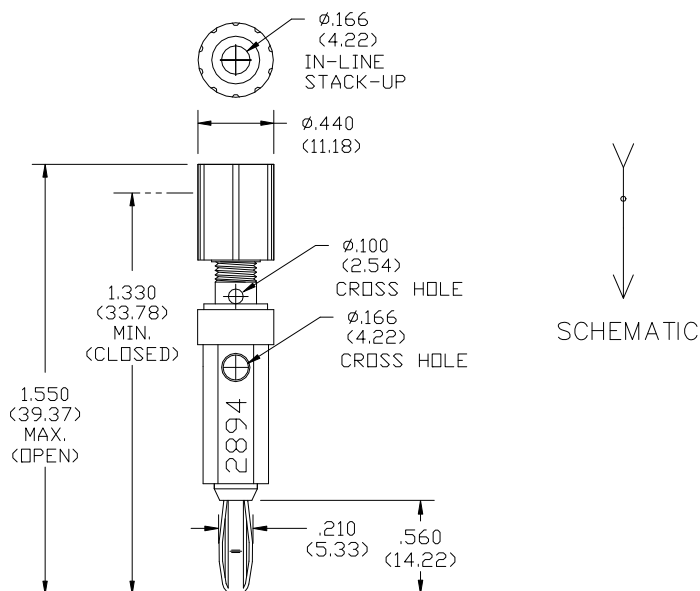


**Model 2894**  
**Binding Post to Single Banana Plug**



**Model 2894**  
**Binding Post to Single Banana Plug**



**Features**

- Features insulated binding post for rapid mounting and interchangeability of components.
- Center cross hole of 4.2mm (.166") dia. provides side stack-up connection.

**Materials**

*Binding Post:*

- Material: Body – Brass per QQ-B-626, Alloy 360, ½ Hard.
- Finish: Nickel plate per QQ-N-290, Class 2, 200/300 micro-inches.
- Insulation: Polycarbonate. Color: See Ordering Information

*Banana Plug:*

- Body: Brass per QQ-B-626, Alloy 360, ½ Hard.
- Spring: Beryllium Copper per QQ-C-533, Alloy 172, Cond.
- Finish: Nickel plate per QQ-N-290, Class 2, 200/300 micro-inches.

*Insulation:*

- Material: Polypropylene molded to Binding Post and Banana Plug bodies.
- Marking: "2894, POMONA ELECTRONICS, CALIF."

**Specifications**

Operating Voltage:

Hands free usage in controlled voltage environments: 2500 Vrms maximum.

*For CE compliance:* not intended for hand-held use at voltages above 33 Vrms/70 Vdc.

Operating Temperature: +50°C (+122°F) Max.

Current: 15 Amperes

**Ordering Information**

Model: 2894-\*

\*=Color, -0 (Black), -2 (Red)

*Ordering Example:* 2894-2 (Color of Binding Post collar is Red)

Other colors available upon request.

**USA:** Sales: 800-490-2361  
Technical Support: [technicalsupport@pomonatest.com](mailto:technicalsupport@pomonatest.com)  
Fax: 425-446-5844

**Europe:** 31-(0) 40 2675 150 **International:** 425-446-5500

**Where to Buy:** [www.pomonaelectronics.com](http://www.pomonaelectronics.com)

All dimensions are in inches. Tolerances (except noted): .xx = ±.02" (.51 mm), .xxx = ±.005" (.127 mm). All specifications are to the latest revisions. Specifications are subject to change without notice. Registered trademarks are the property of their respective companies.

## X-ON Electronics

Largest Supplier of Electrical and Electronic Components

*Click to view similar products for [Test Plugs & Test Jacks](#) category:*

*Click to view products by [Pomona](#) manufacturer:*

Other Similar products are found below :

[01-2601-4-0210](#) [01-2601-4-0212](#) [01-2604-4-0212](#) [01-2604-5-0210](#) [01-2150-1-0312](#) [01-2350-1-02](#) [01-2352-1-02](#) [01-2368-1-02](#) [01-2604-4-0210](#) [01-2604-5-0212](#) [01-2606-4-0210](#) [01-2606-4-0212](#) [01-2606-5-0212](#) [M39024/10-01G](#) [M39024/10-17G](#) [M39024/11-09G](#) [M39024/11-42](#) [M39024/11-43](#) [M39024/12-08](#) [707-5311](#) [707-5402-01-19](#) [707-5410](#) [923739-40-I](#) [R644543000](#) [R948161000](#) [R999351000](#) [1408-4](#) [1499-101](#) [1533-1](#) [1659559](#) [1659567](#) [1663921](#) [1663939](#) [1696-102](#) [174-R825B-EX](#) [NYS508-BU](#) [NYS508-O](#) [211-101](#) [RS100GBL](#) [RS250GBL](#) [251-102](#) [25-2251-2-03](#) [25-2259-2-03](#) [923743-16-I](#) [923743-24-I](#) [923743-28-I](#) [2854-BLU](#) [2970-BLK](#) [30-443G](#) [1680](#)