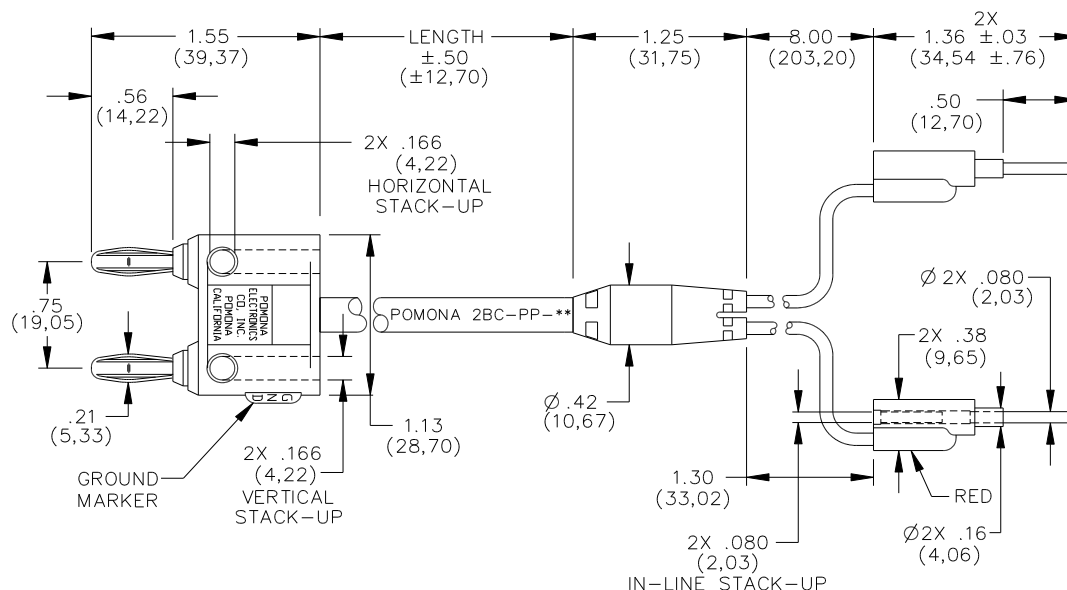


Model 2BC-PP Double Banana Plug To Stacking Pin Tips Cable Assembly



MATERIALS:

Double Banana Plug:

Plug Bodies: Brass, Nickel Plated

Springs: Beryllium Copper, Nickel Plated.

Insulation: Polypropylene Molded to the Plug Bodies and Cable. Color Matches Color of Cable.

Cable: RG-58C/U .195 (5,0) O.D., Color: Black, Marking: POMONA 2BC-PP-XX

Molded Breakout: PVC Molded to the Breakout Leads and Cable. Color Matches Color of Cable.

Breakout Leads: 20 AWG Stranding 41 x 36 t.c., PVC Insulated, .087 (2,21) O.D. Color Matches Color of of Pin Tip Plug.

Single Pin Tip Plugs:

Bodies: Brass, Gold Plated.

Stack-up Springs – Beryllium Copper, Gold Plated over Electroless Nickel.

Insulation: Polypropylene Molded to Pin Tip Bodies and Wire. Color: One Black and One Red.

RATINGS:

Operating Temperature: +50°C Max.

Operating Voltage: 1400 VRMS.

ORDERING INFORMATION: Model 2BC-PP-XX

XX = Cable Length, Standard Lengths: 36" (91,44cm), 48" (121,92cm) 60" (152,4cm).

Additional

Lengths can be quoted upon request.

Ordering Example: 2BC-PP-36 Cable Assembly is 36" (60,96cm)

All dimensions are in inches. Tolerances (except noted): .xx = ±.02" (.51 mm), .xxx = ±.005" (.127 mm).

All specifications are to the latest revisions. Specifications are subject to change without notice.

Registered trademarks are the property of their respective companies. Made in USA

X-ON Electronics

Largest Supplier of Electrical and Electronic Components

Click to view similar products for [Test Leads](#) category:

Click to view products by [Pomona](#) manufacturer:

Other Similar products are found below :

[795-2384-10-25](#) [1301430020](#) [15107](#) [1510-24-105](#) [15308](#) [15408](#) [15302](#) [15307](#) [15407](#) [15409](#) [BU-1149-A-36-0](#) [BU-1481-E-12-0](#) [BU-1481-E-24-0](#) [1927617](#) [2450](#) [2524-A-60](#) [LB1F-2R-RED](#) [LB1F-2R-YLW](#) [2500](#) [2524-A-48](#) [2977-J-48](#) [R948131000](#) [380200](#) [BU-1449-E-12-2](#) [BU-1480-E-24-0](#) [BU-1481-E-12-2](#) [BU-1481-E-24-2](#) [LB1F-2R-BLK](#) [LB1F-2R-BLUE](#) [LB1F-2R-WHT](#) [6345](#) [6432](#) [EM3782-24-3#](#) [R948161002](#) [R948160002](#) [R948170002](#) [R948171002](#) [R948163002](#) [973604100](#) [934160101](#) [934160100](#) [R948174000](#) [CT3269](#) [CT3258](#) [CT3158-100](#) [HSPL 8568/AWG16/200/RT](#) [HSPL 8568/AWG16/200/SW](#) [28.0119-10020](#) [28.0127-05025](#) [28.0127-20025](#)