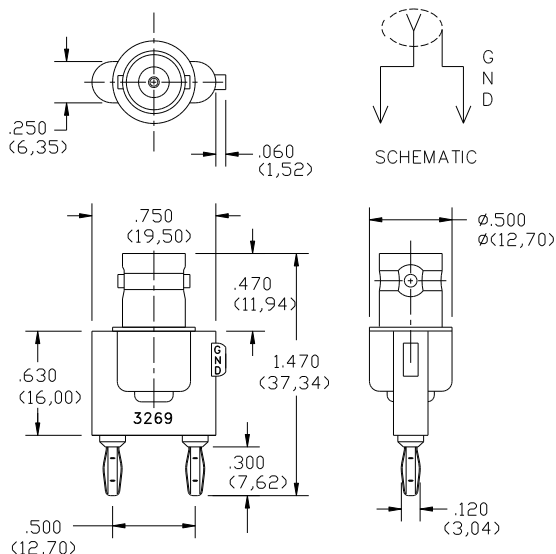


Model 3269
Adapter, BNC Female to Miniature Double Banana Plug



Features

- Allows a BNC male connection to be used with equipment having 0.5" (12.7mm) spaced miniature 0.104" (2.4mm) diameter banana jacks
- Excellent for adapting test equipment to BNC coaxial cables

Materials

- Upper Conn: BNC Female
 Finish: Tarnish Resistant
 Center Contact: Gold Plated
 Insulation: ABS molded to BNC male and Banana Plug
 Color: Black
- Lower Conn: Miniature Double Banana Plug
 Material: Spring, Beryllium Copper
 Plug Body: Brass
 Finish: Gold Plated

Ratings

- Operating Temperature: +50° C. (+122° F.) Max.
 Operating Voltage: 500 Vrms, Maximum voltage for hands free use in controlled voltage environment.
 For CE compliance, do not hold in hand when voltages exceed 30V AC / 60V DC.

Ordering Information: Model 3269

USA: Sales: 800-490-2361
 Technical Support: technicalsupport@pomonatest.com
 Fax: 425-446-5844
Europe: 31-(0) 40 2675 150 **International:** 425-446-5500
Where to Buy: www.pomonaelectronics.com

All dimensions are in inches. Tolerances (except noted): .xx = ±.02" (.51 mm), .xxx = ±.005" (.127 mm). All specifications are to the latest revisions. Specifications are subject to change without notice. Registered trademarks are the property of their respective companies.

X-ON Electronics

Largest Supplier of Electrical and Electronic Components

Click to view similar products for [Test Plugs & Test Jacks](#) category:

Click to view products by [Pomona](#) manufacturer:

Other Similar products are found below :

[01-2601-4-0210](#) [01-2601-4-0212](#) [01-2604-4-0212](#) [01-2604-5-0210](#) [01-2150-1-0312](#) [01-2350-1-02](#) [01-2352-1-02](#) [01-2368-1-02](#) [01-2604-4-0210](#) [01-2604-5-0212](#) [01-2606-4-0210](#) [01-2606-4-0212](#) [01-2606-5-0212](#) [M39024/10-01G](#) [M39024/10-17G](#) [M39024/11-09G](#) [M39024/11-42](#) [M39024/11-43](#) [M39024/12-08](#) [707-5311](#) [707-5402-01-19](#) [707-5410](#) [923739-40-I](#) [R644543000](#) [R948161000](#) [R999351000](#) [1408-4](#) [1499-101](#) [1533-1](#) [1659559](#) [1659567](#) [1663921](#) [1663939](#) [1696-102](#) [174-R825B-EX](#) [NYS508-BU](#) [NYS508-O](#) [211-101](#) [RS100GBL](#) [RS250GBL](#) [251-102](#) [25-2251-2-03](#) [25-2259-2-03](#) [923743-16-I](#) [923743-24-I](#) [923743-28-I](#) [2854-BLU](#) [2970-BLK](#) [30-443G](#) [1680](#)