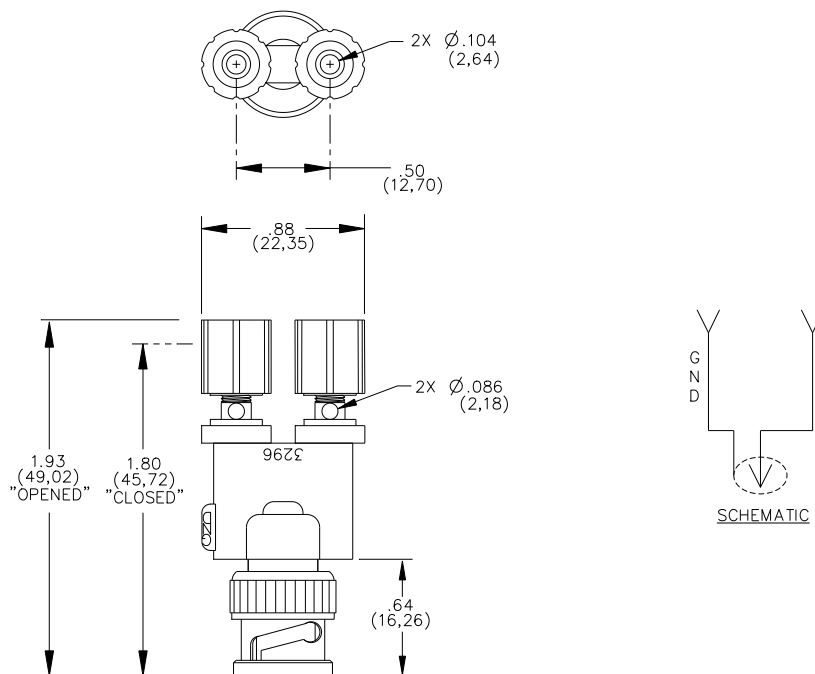


Model 3296
Adapter, Miniature Binding Posts to BNC Male



Features

- Converts BNC female connection to Miniature Binding Posts and Miniature Banana Jacks

Materials

Body: Brass, Tarnish Resistant Plating
Center Contact: Gold Plated Brass
Marking: "3296"

Ratings

Operating Temperature: +50° C. (+122° F.) Max.

Operating Voltage: 500 Vrms, Maximum voltage for hands free use in controlled voltage environment.
For CE compliance, do not hold in hand when voltages exceed 30V AC / 60V DC.

Ordering Information

Model 3296

USA: Sales: 800-490-2361
Technical Support: technicalsupport@pomonatest.com
Fax: 425-446-5844
Europe: 31-(0) 40 2675 150 **International:** 425-446-5500
Where to Buy: www.pomonaelectronics.com

All dimensions are in inches. Tolerances (except noted): .xx = ±.02" (.51 mm), .xxx = ±.005" (.127 mm). All specifications are to the latest revisions. Specifications are subject to change without notice. Registered trademarks are the property of their respective companies.

X-ON Electronics

Largest Supplier of Electrical and Electronic Components

Click to view similar products for [Test Connectors](#) category:

Click to view products by [Pomona](#) manufacturer:

Other Similar products are found below :

[5739](#) [MXHS83QE1000](#) [1691](#) [M08SW](#) [M10X100](#) [4247](#) [MM126037](#) [4726](#) [5747](#) [MM126511](#) [MM126527](#) [2375380-1](#) [100045-045-958](#) [3743](#)
[MM126310](#) [MXHS83QE3000](#) [M19100](#) [4320-01069-0](#) [3302](#) [783538-01](#) [3602](#) [3719](#) [4226](#) [4245](#) [4246](#) [4903](#) [MXFR01JA1000](#) [911](#) [BF-5](#)
[M19201](#) [MM126515](#) [MM126518](#) [MM126526](#) [MM126711](#) [MM126714](#) [MM126715](#) [MXHS83QH3000](#) [BF-1](#) [BF-3](#) [BS-1](#) [A9663](#) [3316](#) [3603](#)
[3862-0](#) [3862-0#](#) [4115](#) [4655](#) [5130](#) [5532](#) [5678-K-48](#)