

### MATERIALS:

Body and Fittings: Brass per QQ-B-626, Alloy 360 ½ H. Tarnish resistant plating

Center Contact: Brass per QQ-B-626, Alloy 360 ½ H. Tarnish resistant plating

Outer Contact: Gold Plated Beryllium Copper per QQ-C-530, Cond. HT.

Dielectric: PTFE

### Finish:

Body and Fittings: Non-tarnish

Outer and Center Contacts: Gold Flash per MIL-G-45204 over silver plate per QQ-S-365

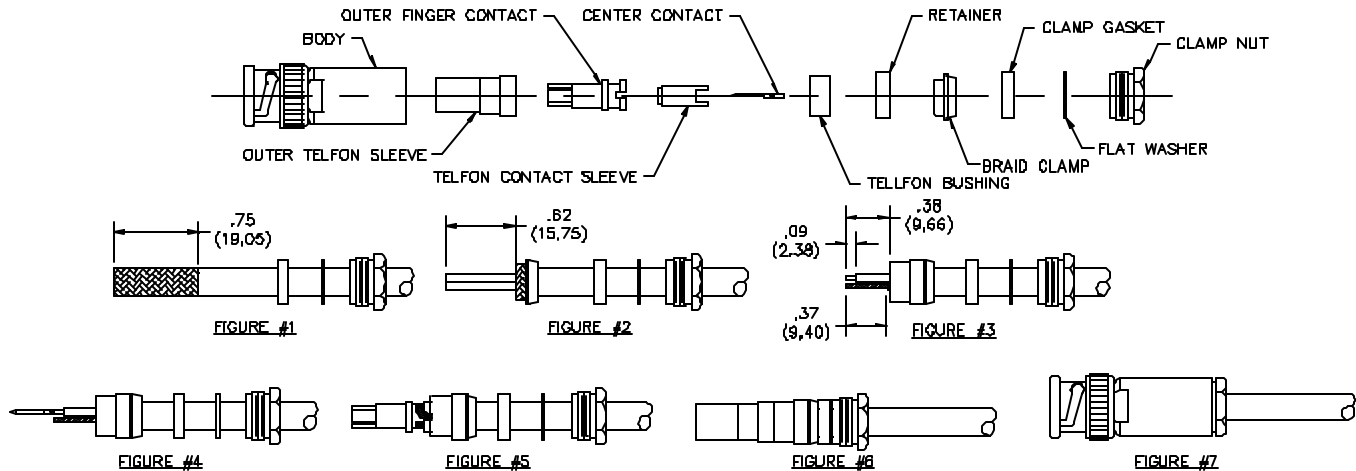
### ORDERING INFORMATION: Model 3600

All dimensions are in inches. Tolerances (except noted): .xx = ±.02" (.51 mm), .xxx = ±.005" (.127 mm).

All specifications are to the latest revisions. Specifications are subject to change without notice.

Registered trademarks are the property of their respective companies.

Made in USA



### FIGURE #1

- A. Cut cable.
- B. Slide clamp nut, flat washer and clamp gasket over cable.
- C. Strip jacket.

### FIGURE #2

- D. Fold back braid and trim cable filler.
- E. Slide braid clamp over braid so that its inner shoulder butts against cable jacket. Fan out braid wires, fold back over braid clamp, trim off excess braid as shown.
- F. Cut conductors to dimensions shown.

### FIGURE #3

- G. Slide retainer over both conductors and press against braid clamp.
- H. Strip blue (or equivalent) wire as shown.
- I. Slide Teflon bushing over both conductors and press against retainer.
- J. Strip white wire to dimensions shown.

### FIGURE #4

- K. Place center contact sleeve over white conductor wire and solder, verify all strains go into the contact.

All dimensions are in inches. Tolerances (except noted): .xx = ±.02" (.51 mm), .xxx = ±.005" (.127 mm).

All specifications are to the latest revisions. Specifications are subject to change without notice.

Registered trademarks are the property of their respective companies.

Made in USA

Caution: Do Not Over Heat!

### FIGURE #5

- L. Slide Teflon contact sleeve over center contact.
- M. Slide outer finger contact over Teflon contact sleeve.
- N. Wrap blue wire around outer finger as shown and solder.

### FIGURE #6

- O. Slide clamp gasket, washer and clamp nut forward until gasket seats on the end of the braid clamp.
- P. Slide outer Teflon sleeve over the outer finger contact.

### FIGURE #7

- Q. Slide plug body over the entire assembly and tighten clamp nut 35 to 40 inch-pounds.
- L. Slide Teflon contact sleeve over center contact.
- M. Slide outer finger contact over Teflon contact sleeve.
- N. Wrap blue wire around outer finger as shown and solder.

All dimensions are in inches. Tolerances (except noted): .xx =  $\pm .02$ " (.51 mm), .xxx =  $\pm .005$ " (.127 mm).  
All specifications are to the latest revisions. Specifications are subject to change without notice.  
Registered trademarks are the property of their respective companies.

Made in USA

## X-ON Electronics

Largest Supplier of Electrical and Electronic Components

*Click to view similar products for [RF Connectors / Coaxial Connectors](#) category:*

*Click to view products by [Pomona](#) manufacturer:*

Other Similar products are found below :

[8915-1511-000](#) [89674-0827](#) [6001-7071-019](#) [6002-7051-003](#) [6002-7551-202](#) [6059674-1](#) [619550-1](#) [630059-000](#) [M39030/3-01N](#) [M3933/25-36N](#) [6500-7071-046](#) [6769](#) [CX050L2AQ](#) [7002-1542-011](#) [7004-1512-000](#) [7009-1511-004](#) [7010-1511-000](#) [7029-1511-060](#) [7101-1541-010](#) [7101-1571-002](#) [7105-1521-002](#) [7145-1521-002](#) [7203-1571-003](#) [7209-1511-011](#) [7210-1511-015](#) [7210-1511-019](#) [73137-5015](#) [73216-2241](#) [7325-1512-000](#) [73404-2300](#) [7405-1521-005](#) [7405-1521-802](#) [7406-1521-005](#) [8527](#) [8547](#) [FS11V](#) [8808-1511-001](#) [9049-9513-000](#) [9074-9513-000](#) [9101-9573-002](#) [910A205F](#) [9130-9573-002](#) [PL11SC-026](#) [PL375-33](#) [PL40-5](#) [PL71-9](#) [PL74C-221](#) [PL75MC-217](#) [PL803-7](#) [980-8666-005](#)