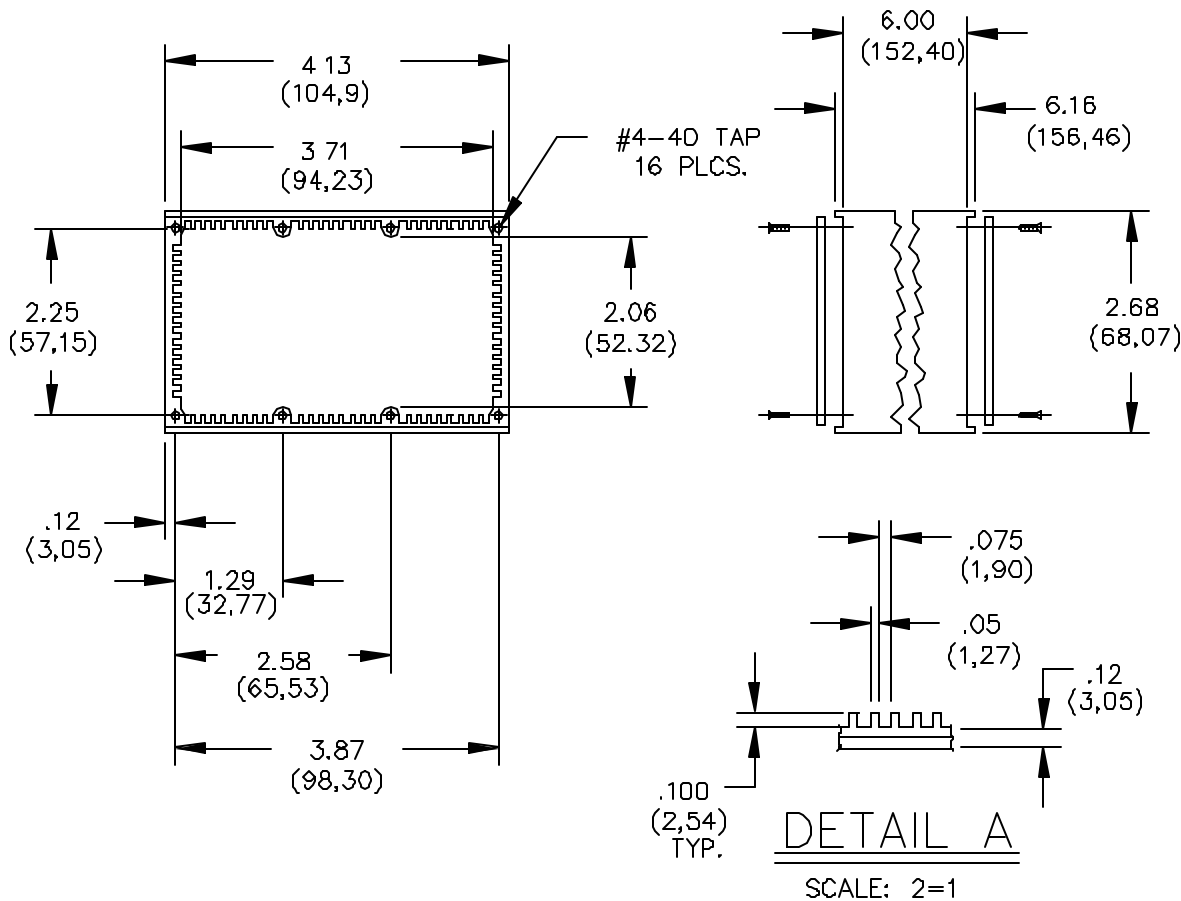


Model 3743 Unpainted Shielded Housing, 6" High With Card Guides



MATERIALS:

Shielded Housing: Extruded Aluminum, Alloy 6063-T5

Finish: None

Cover: 2 each, 2.03 (.080) thick Aluminum, Alloy 1100-H14

Finish: Clear anodized per MIL-A-8625

Screws: 16 each, #4-40 x 6.35 (1/4) Flat Head

RATINGS:

Operating Temperature: -55°C to +150°C (-67° to +302°F)

ORDERING INFORMATION: Model 3743

All dimensions are in inches. Tolerances (except noted): .xx = ±.02" (.51 mm), .xxx = ±.005" (.127 mm).
All specifications are to the latest revisions. Specifications are subject to change without notice.
Registered trademarks are the property of their respective companies.

Made in USA

X-ON Electronics

Largest Supplier of Electrical and Electronic Components

Click to view similar products for [Test Connectors](#) category:

Click to view products by [Pomona](#) manufacturer:

Other Similar products are found below :

[5739](#) [MXHS83QE1000](#) [1691](#) [M08SW](#) [M10X100](#) [4247](#) [MM126037](#) [4726](#) [5747](#) [MM126511](#) [MM126527](#) [2375380-1](#) [100045-045-958](#) [3743](#)
[MM126310](#) [MXHS83QE3000](#) [M19100](#) [4320-01069-0](#) [3302](#) [783538-01](#) [3602](#) [3719](#) [4226](#) [4245](#) [4246](#) [4903](#) [MXFR01JA1000](#) [911](#) [BF-5](#)
[M19201](#) [MM126515](#) [MM126518](#) [MM126526](#) [MM126711](#) [MM126714](#) [MM126715](#) [MXHS83QH3000](#) [BF-1](#) [BF-3](#) [BS-1](#) [A9663](#) [3316](#) [3603](#)
[3862-0](#) [3862-0#](#) [4115](#) [4655](#) [5130](#) [5532](#) [5678-K-48](#)