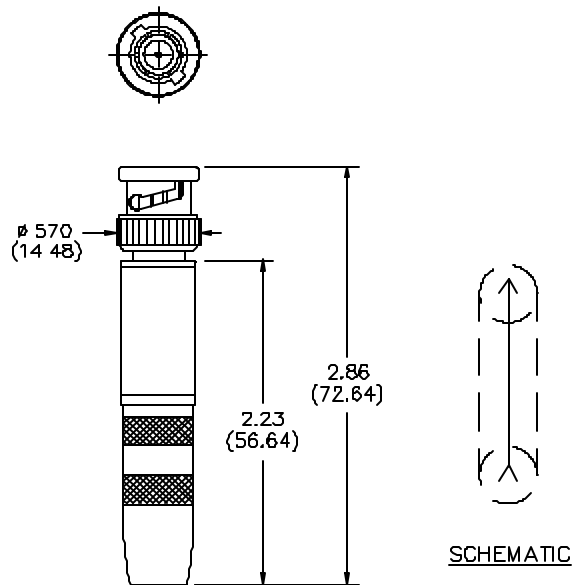


## Model 4043 Adapter – BNC Male To 2 Conductor Standard Phone Jack



### FEATURES:

- Permits a standard 2 conductor 6.4 (.250) dia. phone plug to be used with equipment having BNC female.
- All metal construction to insure proper shielding.

### MATERIALS:

Upper Conn.: BNC Male.

Finish: Body and Fittings, Tarnish Resistant.

Center Contact: Gold plated per requirements of MIL-C-39012.

Body:

Material: Brass per QQ-B-626, Alloy 360, 1/2 Hard.

Finish: Nickel plated per QQ-N-290, Class 2, 200/300 microinches.

Lower Conn: Standard Phone Jack, 2 Conductor, Shielded.

Material: Brass.

Finish: Nickel plated.

### RATINGS:

Operating Temperature: +257°F. (+125°C.) Max.

Operating Voltage: 500 VRMS.

### ORDERING INFORMATION: Model 4043

All dimensions are in inches. Tolerances (except noted): .xx = ±.02" (.51 mm), .xxx = ± .005" (.127 mm).

All specifications are to the latest revisions. Specifications are subject to change without notice.

Registered trademarks are the property of their respective companies. Made in USA

## X-ON Electronics

Largest Supplier of Electrical and Electronic Components

*Click to view similar products for [RF Adapters - Between Series category:](#)*

*Click to view products by [Pomona manufacturer:](#)*

Other Similar products are found below :

[5945-9503-000](#) [MCX/F-SMA/M](#) [R192417010](#) [ADBJ20-E1-BJ379](#) [ADM2](#) [ADPL75-A1-PL75](#) [242191](#) [9317505](#) [AD130](#) [ADBJ20-E1-PL74](#)  
[ADBJ20-E2-BJ79](#) [ADBJ77-E1-UPL20](#) [ADRMF370](#) [242190](#) [242215](#) [242228](#) [R125680000W](#) [R192430000](#) [UAD95](#) [1057367-1](#) [8311505](#)  
[R114704000](#) [R451034500](#) [R451030500](#) [R451543000](#) [HDVDPN](#) [ADBJ20-K1-PL20](#) [R451570000](#) [R192419000](#) [R451034000](#) [J9](#) [J3WE-5](#)  
[R451032500](#) [242201RP](#) [17K132-K00S5](#) [03K719-S22S3](#) [AD-RSMAF-RTNC](#) [53K156-K00N5](#) [53K160-KIMN1](#) [29S132-K01N5](#) [53S156-](#)  
[K00N5](#) [02S119-S00E3](#) [28K132-K00N5](#) [02S109-K00S3](#) [27-8200TP](#) [242235](#) [ADBJ20-E1-BJ89](#) [ADP-SMAF-MMCXM](#) [000-2900](#) [321-102-](#)  
[003 \(SMA-50/2-H155/W1.03 AU\)](#)