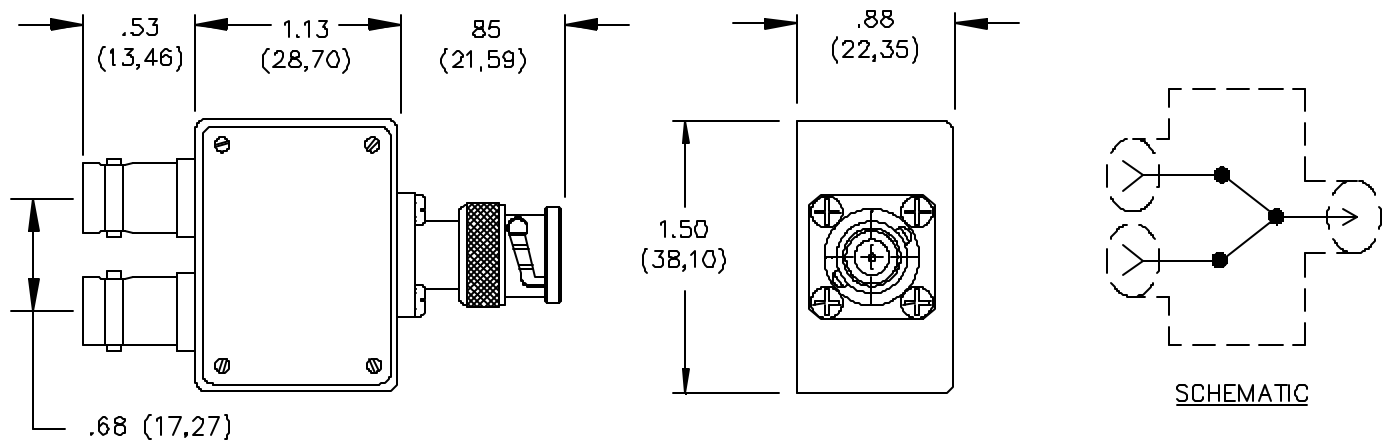


## Model 4057 BNC 'Y' Adapter, BNC (Females) To BNC (Male) In Shielded Box



### MATERIALS:

Connector: BNC (F) & BNC (M)

Body: Brass, Tarnish Resistant Plating, Center Contact: Female – Gold Plated Beryllium Copper, Male - Gold Plated Brass

Shielded Housing: Die cast aluminum Alloy A380 or A384.

Finish: Blue baked enamel per Federal Standard 595, 25109 over Phosphoric Etch per MIL-C-15328.

Marking: "Pomona Electronics Calif."

Screws: 4 each 4-40 x 4.76 (3/16") per MS35206-212 with clear irridite dip.

### RATINGS:

Operating Voltage: Inner Conductor/Shield: 500VRMS Max.

Nominal Impedance: 50 Ohms

### ORDERING INFORMATION: Model 4057

All dimensions are in inches. Tolerances (except noted): .xx = ±.02" (.51 mm), .xxx = ± .005" (.127 mm).

All specifications are to the latest revisions. Specifications are subject to change without notice.

Registered trademarks are the property of their respective companies. Made in USA

## X-ON Electronics

Largest Supplier of Electrical and Electronic Components

*Click to view similar products for [Test Connectors](#) category:*

*Click to view products by [Pomona](#) manufacturer:*

Other Similar products are found below :

[5739](#) [MXHS83QE1000](#) [1691](#) [M08SW](#) [M10X100](#) [4247](#) [MM126037](#) [4726](#) [5747](#) [MM126511](#) [MM126527](#) [2375380-1](#) [100045-045-958](#) [3743](#)  
[MM126310](#) [MXHS83QE3000](#) [M19100](#) [4320-01069-0](#) [3302](#) [783538-01](#) [3602](#) [3719](#) [4226](#) [4245](#) [4246](#) [4903](#) [MXFR01JA1000](#) [911](#) [BF-5](#)  
[M19201](#) [MM126515](#) [MM126518](#) [MM126526](#) [MM126711](#) [MM126714](#) [MM126715](#) [MXHS83QH3000](#) [BF-1](#) [BF-3](#) [BS-1](#) [A9663](#) [3316](#) [3603](#)  
[3862-0](#) [3862-0#](#) [4115](#) [4655](#) [5130](#) [5532](#) [5678-K-48](#)