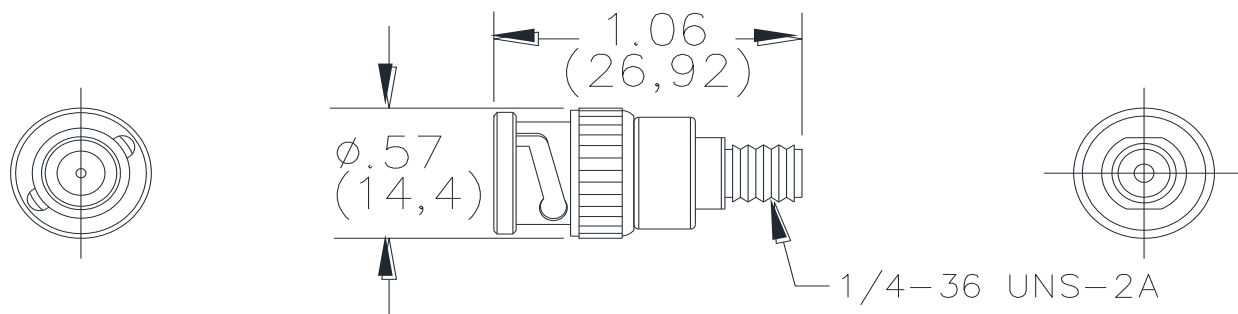


**Model 4289**  
**Adapter, SMA (Female) to BNC (Male)****Features**

- Converts instruments with BNC inputs to SMA.
- Adapter and contacts are gold-plated for low contact resistance.

**Materials**

|              |   |
|--------------|---|
| Body:        | Gold-Plated Beryllium Copper                  |
| BNC Contact: | Gold-Plated Brass                             |
| SMA Contact: | Gold-Plated Beryllium Copper                  |
| Dielectric:  | PTFE  |
| Finish:      | Gold-Plated per MIL-G-45204, Type II, Class 2 |

**Ratings**

Voltage: For *CE compliance* and for personal safety, do not hold in hand when voltages exceed 30 Vrms/60 Vdc.

Maximum voltage for *hands free use* in controlled testing environments: 335 Vrms Max.

Do not use on circuits where transient stresses can exceed the rated voltage.

Operating Temperature: -65°C (-85°F) to +165°C (+329°F)

Nominal Impedance: 50 Ohm

Frequency Range: 0 – 12.4 GHz

**Ordering Information**

Model: 4289  
SMA (F)/BNC (M)

**USA:** Sales: 800-490-2361  
Technical Support: [technicalsupport@pomonatest.com](mailto:technicalsupport@pomonatest.com)  
Fax: 425-446-5844

**Europe:** 31-(0) 40 2675 150 **International:** 425-446-5500

**Where to Buy:** [www.pomonaelectronics.com](http://www.pomonaelectronics.com)

All dimensions are in inches. Tolerances (except noted): .xx = ±.02" (.51 mm), .xxx = ±.005" (.127 mm). All specifications are to the latest revisions. Specifications are subject to change without notice. Registered trademarks are the property of their respective companies.

## X-ON Electronics

Largest Supplier of Electrical and Electronic Components

*Click to view similar products for [RF Adapters - Between Series category](#):*

*Click to view products by [Pomona manufacturer](#):*

Other Similar products are found below :

[5945-9503-000](#) [MCX/F-SMA/M](#) [R192417010](#) [ADBJ20-E1-BJ379](#) [ADM2](#) [ADPL75-A1-PL75](#) [242191](#) [9317505](#) [AD130](#) [ADBJ20-E1-PL74](#)  
[ADBJ20-E2-BJ79](#) [ADBJ77-E1-UPL20](#) [ADRMF370](#) [242190](#) [242215](#) [242228](#) [R125680000W](#) [R192430000](#) [UAD95](#) [1057367-1](#) [8311505](#)  
[R114704000](#) [R451034500](#) [R451030500](#) [R451543000](#) [HDVDPN](#) [ADBJ20-K1-PL20](#) [R451570000](#) [R192419000](#) [R451034000](#) [J9](#) [J3WE-5](#)  
[R451032500](#) [242201RP](#) [17K132-K00S5](#) [03K719-S22S3](#) [AD-RSMAF-RTNC](#) [53K156-K00N5](#) [53K160-KIMN1](#) [29S132-K01N5](#) [53S156-](#)  
[K00N5](#) [02S119-S00E3](#) [28K132-K00N5](#) [02S109-K00S3](#) [27-8200TP](#) [242235](#) [ADBJ20-E1-BJ89](#) [ADP-SMAF-MMCXM](#) [000-2900](#) [321-102-](#)  
[003 \(SMA-50/2-H155/W1.03 AU\)](#)