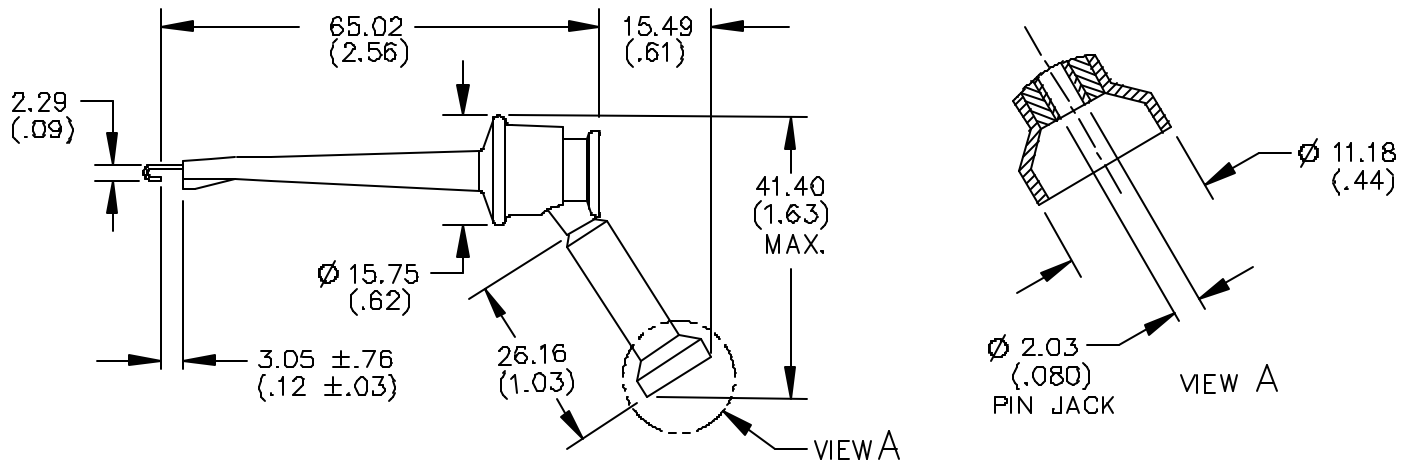


Model 4826 Minigrabber® Test Clip With Pin Jack



FEATURES:

- This Minigrabber® test clip has a pin jack built right into the plunger.
- Excellent for attaching the Grabber test clip directly to the end of a pin tip patch cord or it can be used as an adapter for miniature test probes with 2.0 (.080) tips.

MATERIALS:

Contact: Beryllium Copper per QQ-C-533,
Alloy 165.

Spring: Stainless steel, 302

Pin Tip Jack : Brass per QQ-B-626, Alloy 360,
½ Hard.

Pin Tip Jack Spring: Beryllium Copper, Berylco 25 per
QQ-C-533, Cond. HT.

Finish:

Contact: Gold plated per MIL-G-45204,

Class 00

Pin Tip Jack: Gold plated per MIL-G-45204, Type II, Class 00 over electroless nickel per MIL-C-26074, Class 1, 200/300 microinches.

Insulation:

Glass filled Nylon:

Marking: "POMONA ELECTRONICS,
CALIF." "4826" "MINIGRABBER®",

RATINGS:

Operating Temperature: +102°C. (+216°F) Max.

Operating Voltage: 30VAC/60VDC

Current: 5 Amperes

ORDERING INFORMATION: Model 4826-*

*=Color, -0 Black, -2 Red, -9 White

Ordering Example: 4826-2 Adapter Color is Red.

All dimensions are in inches. Tolerances (except noted): .xx = ±.02" (.51 mm), .xxx = ± .005" (.127 mm).

All specifications are to the latest revisions. Specifications are subject to change without notice.

Registered trademarks are the property of their respective companies. Made in USA

X-ON Electronics

Largest Supplier of Electrical and Electronic Components

Click to view similar products for [Test Clips](#) category:

Click to view products by [Pomona](#) manufacturer:

Other Similar products are found below :

[010000](#) [923743-16](#) [BU-656-0](#) [4140A](#) [4324A](#) [TL820](#) [TL822](#) [5116](#) [5450](#) [5216](#) [5252](#) [5454](#) [5694](#) [923700](#) [923698](#) [CR0060](#) [3038](#) [927739-20](#)
[923743-14](#) [932146101](#) [930318100](#) [930126101](#) [Z-SB3FA3250AAAB04001](#) [Z-S11F0107G1000](#) [Z-S11F0207B1520](#) [Z-S11F0207B2030](#) [Z-](#)
[S11F0207B15000](#) [Z-SB3FA3226AAAB11001](#) [Z-S11F0207B1010](#) [923706](#) [930317800](#) [973889100](#) [972405100](#) [972405101](#) [R999720600](#) [949-](#)
[1](#) [458-3](#) [SK 201200278 020](#) [BU-65-B](#) [BU-21CPN-GZZZ](#) [PK-HVA-02](#) [BU-25C-DZZZ](#) [BU-142-2](#) [00425](#) [R8-1A RED](#) [R8-54 BLACK](#) [R8-](#)
[54 RED](#) [MA1SW](#) [MA260SH SW](#) [AX-CR-02-SET](#)