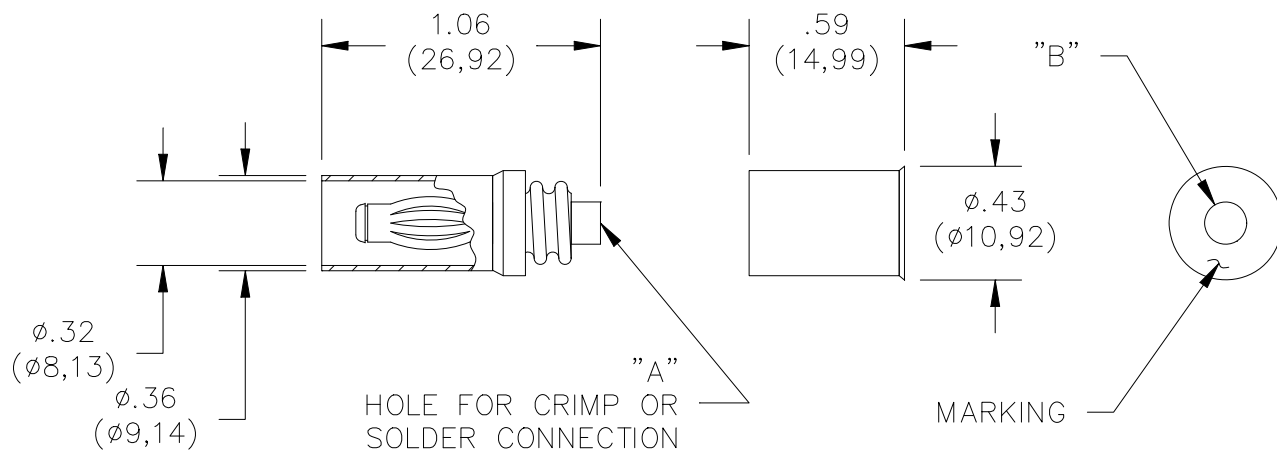


Model 4933
Do-It-Yourself In-Line Sheathed Banana Plug



Model #	Dimension "A"	Dimension "B"	Accepts Wire AWG
4933	.062" (1.57mm)	.160" (4.06mm)	18, 20, 22

Features

- Threaded two piece design allows wires to be soldered or crimped to the banana plug.
- Banana plug spring is nickel plated Beryllium Copper for long insertion life.
- Fits into Pomona model 4934 Banana Jack.

Materials

Banana Plug: Body – Brass, Nickel Plated
Spring – Beryllium Copper, Nickel Plated
Insulation: Polypropylene, color per part number
Threaded Handle: Polypropylene, color per part number
Marking: "POMONA ELECT." & part number



Ratings

Operating Voltage: Hands free usage in controlled voltage environments: 1200 Vrms Max.
For CE compliance: not intended for hand-held use at voltages above 33 Vrms/70 Vdc.
Operating Temperature: +80°C (+176°F)
Current: 15 Amperes Max.

Ordering Information

Model: 4933-Color
Colors = -0 (Black), -2 (Red)
Ordering Example: 4933-0 (Banana Plug with Black insulation)

USA: Sales: 800-490-2361
Technical Support: technicalsupport@pomonatest.com
Fax: 425-446-5844
Europe: 31-(0) 40 2675 150 **International:** 425-446-5500
Where to Buy: www.pomonaelectronics.com

All dimensions are in inches. Tolerances (except noted): .xx = ±.02" (.51 mm), .xxx = ±.005" (.127 mm). All specifications are to the latest revisions. Specifications are subject to change without notice. Registered trademarks are the property of their respective companies.

X-ON Electronics

Largest Supplier of Electrical and Electronic Components

Click to view similar products for [Test Plugs & Test Jacks](#) category:

Click to view products by [Pomona](#) manufacturer:

Other Similar products are found below :

[01-2601-4-0210](#) [01-2601-4-0212](#) [01-2604-4-0212](#) [01-2604-5-0210](#) [01-2150-1-0312](#) [01-2350-1-02](#) [01-2352-1-02](#) [01-2368-1-02](#) [01-2604-4-0210](#) [01-2604-5-0212](#) [01-2606-4-0210](#) [01-2606-4-0212](#) [01-2606-5-0212](#) [M39024/10-01G](#) [M39024/10-17G](#) [M39024/11-09G](#) [M39024/11-42](#) [M39024/11-43](#) [M39024/12-08](#) [707-5311](#) [707-5402-01-19](#) [707-5410](#) [923739-40-I](#) [R644543000](#) [R948161000](#) [R999351000](#) [1408-4](#) [1499-101](#) [1533-1](#) [1659559](#) [1659567](#) [1663921](#) [1663939](#) [1696-102](#) [174-R825B-EX](#) [NYS508-BU](#) [NYS508-O](#) [211-101](#) [RS100GBL](#) [RS250GBL](#) [251-102](#) [25-2251-2-03](#) [25-2259-2-03](#) [923743-16-I](#) [923743-24-I](#) [923743-28-I](#) [2854-BLU](#) [2970-BLK](#) [30-443G](#) [1680](#)