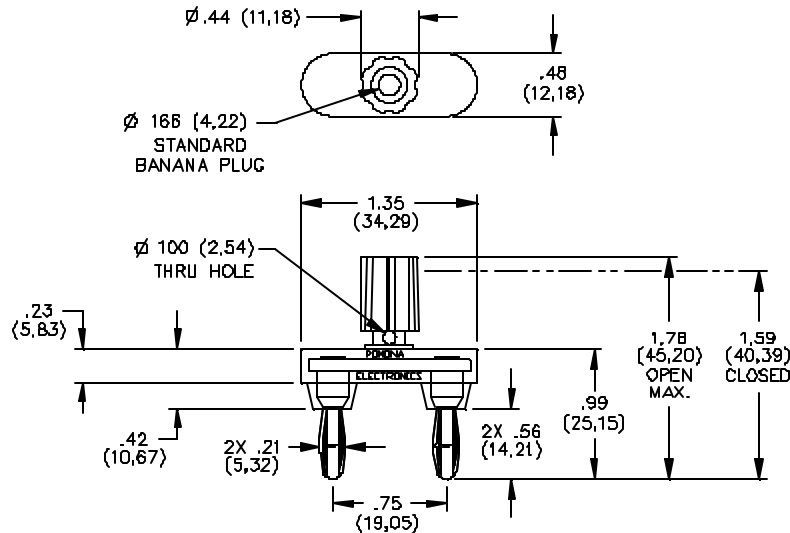


## Model 5165 Encapsulated Double Banana Plug Shorting Bar With Binding Post



### FEATURES:

- Mates to Model #2269 or any standard double banana jack.
- Binding post cross hole allows attachment of pin tip plugs.
- Shorting bar is completely encapsulated in clear Polypropylene.

### MATERIALS:

#### Upper Conn.:

Binding Post Body: Brass, per QQ-B-626 Alloy 360, 1/2 Hard.  
Finish: Nickel plated per QQ-N-290, Class 2, 200/300 microinches.  
Insulation: Polycarbonate molded to collar.  
Color: See ordering information.

#### Shorting Bar:

Material: Brass, per QQ-B-613, Composition  
Finish: Nickel plated per QQ-N-290, Class 2,

Insulation: Polypropylene molded to binding post, shorting bar and banana plugs.

Color: Clear.

Marking "POMONA ELECTRONICS"  
"MODEL 5165"

#### Lower Conn.:

#### Banana Plugs:

Material: Spring: Beryllium Copper per QQ-C-533, Berylco 25, Cond. H.T.

Plug body: Brass, per QQ-B-626, Alloy 360, 1/2 Hard

Finish: Nickel plated per QQ-N-290, Class 2, 200/300 microinches.

### RATINGS:

Operating Temperature: +50°C. (+122°F.) Max.

Operating Voltage: 2500 VRMS

Current: 15 Amperes

Resistance: Less than 1.5 milliohms. 2, 1/2 Hard

**ORDERING INFORMATION** 200/300 microinches.

\*=Color, -0 Black, -2 Red

Ordering Example: 5165-2 Color is Red

All dimensions are in inches. Tolerances (except noted): .xx = ±.02" (.51 mm), .xxx = ±.005" (.127 mm).  
All specifications are to the latest revisions. Specifications are subject to change without notice.  
Registered trademarks are the property of their respective companies.

Made in USA

## X-ON Electronics

Largest Supplier of Electrical and Electronic Components

*Click to view similar products for [Test Plugs & Test Jacks](#) category:*

*Click to view products by [Pomona](#) manufacturer:*

Other Similar products are found below :

[01-2601-4-0210](#) [01-2601-4-0212](#) [01-2604-4-0212](#) [01-2604-5-0210](#) [01-2150-1-0312](#) [01-2350-1-02](#) [01-2352-1-02](#) [01-2368-1-02](#) [01-2604-4-0210](#) [01-2604-5-0212](#) [01-2606-4-0210](#) [01-2606-4-0212](#) [01-2606-5-0212](#) [M39024/10-01G](#) [M39024/10-17G](#) [M39024/11-09G](#) [M39024/11-42](#) [M39024/11-43](#) [M39024/12-08](#) [707-5311](#) [707-5402-01-19](#) [707-5410](#) [923739-40-I](#) [R644543000](#) [R948161000](#) [R999351000](#) [1408-4](#) [1499-101](#) [1533-1](#) [1659559](#) [1659567](#) [1663921](#) [1663939](#) [1696-102](#) [174-R825B-EX](#) [NYS508-BU](#) [NYS508-O](#) [211-101](#) [RS100GBL](#) [RS250GBL](#) [251-102](#) [25-2251-2-03](#) [25-2259-2-03](#) [923743-16-I](#) [923743-24-I](#) [923743-28-I](#) [2854-BLU](#) [2970-BLK](#) [30-443G](#) [1680](#)