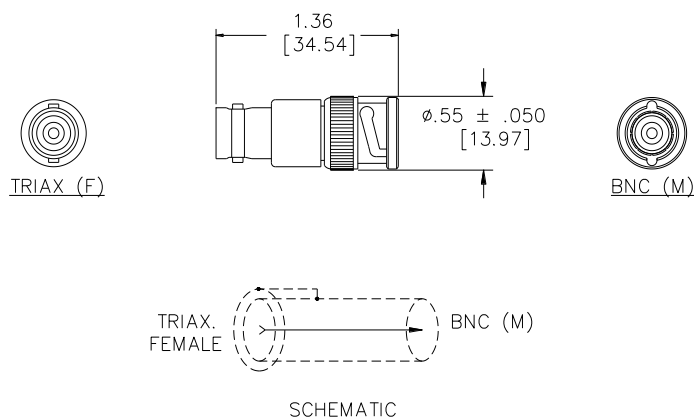


Model 5298
Triaxial 2 Lug (F) To BNC (M) Adapter

Model 5298
Triaxial 2 Lug (F) To BNC (M) Adapter



Features

- Converts instruments with BNC inputs to triaxial, 2 lug for better shield performance
- Triaxial center and intermediate contacts are gold plated, Beryllium Copper for long insertion cycle life and low contact resistance
- Adapter outer shell has tarnish resistant plating

Materials

Outer Shell: Nickel plated Brass

Contacts (Triaxial):

Center: Gold plated Beryllium Copper

Intermediate: Gold plated Beryllium Copper

Outer Contact: Tarnish resistant brass

BNC: Nickel plated brass

Marking: "POMONA ELECT. 5298" (optional)

Ratings

Voltage: For *CE compliance* and for personal safety, do not hold in hand when voltages exceed 30 Vrms/60 Vdc.

Maximum voltage for *hands free use* in controlled testing environments: 500 Vdc

Do not use on circuits where transient stresses can exceed the rated voltage.

Frequency Range: DC to 500 MHz.

Ordering Information

Model: 5298

BNC (M)/2 LUG TRIAXIAL (F)

USA: Sales: 800-490-2361
Technical Support: technicalsupport@pomonatest.com
Fax: 425-446-5844

Europe: 31-(0) 40 2675 150 **International:** 425-446-5500

Where to Buy: www.pomonaelectronics.com

All dimensions are in inches. Tolerances (except noted): .xx = $\pm .02$ " (.51 mm), .xxx = $\pm .005$ " (.127 mm). All specifications are to the latest revisions. Specifications are subject to change without notice. Registered trademarks are the property of their respective companies.

X-ON Electronics

Largest Supplier of Electrical and Electronic Components

Click to view similar products for [RF Adapters - Between Series](#) category:

Click to view products by [Pomona](#) manufacturer:

Other Similar products are found below :

[5945-9503-000](#) [MCX/F-SMA/M](#) [R192417010](#) [ADBJ20-E1-BJ379](#) [ADM2](#) [ADPL75-A1-PL75](#) [242191](#) [9317505](#) [AD130](#) [ADBJ20-E1-PL74](#)
[ADBJ20-E2-BJ79](#) [ADBJ77-E1-UPL20](#) [ADRMF370](#) [242190](#) [242215](#) [242228](#) [R125680000W](#) [R192430000](#) [UAD95](#) [1057367-1](#) [8311505](#)
[R114704000](#) [R451034500](#) [R451030500](#) [R451543000](#) [HDVDPN](#) [ADBJ20-K1-PL20](#) [R451570000](#) [R192419000](#) [R451034000](#) [J9](#) [J3WE-5](#)
[R451032500](#) [242201RP](#) [17K132-K00S5](#) [03K719-S22S3](#) [AD-RSMAF-RTNC](#) [53K156-K00N5](#) [53K160-KIMN1](#) [29S132-K01N5](#) [53S156-](#)
[K00N5](#) [02S119-S00E3](#) [28K132-K00N5](#) [02S109-K00S3](#) [27-8200TP](#) [242235](#) [ADBJ20-E1-BJ89](#) [ADP-SMAF-MMCXM](#) [000-2900](#) [321-102-](#)
[003 \(SMA-50/2-H155/W1.03 AU\)](#)