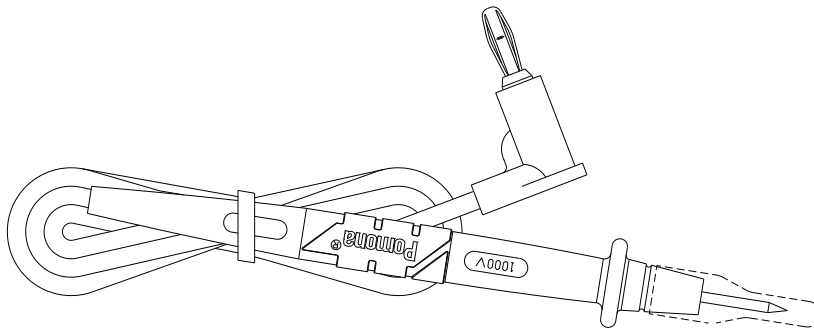
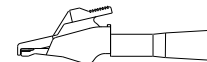


Model 5672A
Basic Electronic DMM Test Lead Kit

5682



5916A

(SET BLACK & RED) PROBE TO RIGHT ANGLE

For data sheets / specifications of the kit individual components, visit the Pomona web site at:
www.pomonaelectronics.com

FEATURES

- Fits Fluke, H-P, Tektronix and Wavetek meters configured with non-sheathed standard and 4 mm banana jacks.
- Test probe body & banana plug body are molded directly to 48" (122 cm), high strand count/high temperature silicone leads for added pull strength and flexibility.
- Wear indication with double insulated (dual extruded) silicone leads shows white inner layer for increased safety.
- Medium alligators are insulated for added safety and can quickly attach to the 0.080" (2.03 mm) O.D. probe tip.
- Medium alligators have an overall length of 2.25" (5.7 cm) and grip up to 0.30" (7.62 mm) O.D. terminals.
- Slide-on extended tips have an overall length of 4" (10.16 cm) & attaches to the probe tip to allow access to hard to reach test points.
- Slide-on Extended Tip is insulated to the point to prevent accidental shorting.

Kit Accessories

Model **5672A Test Probes**: Test Probes, set of one black and one red.

Model **5682**: Slide-on Extended Tip, set of one black and one red (Replacement P/N: 5682-0/-2).

Model **5916A**: Medium Alligator Clips, set of one black and one red (Replacement P/N: 5916A).

USA: Sales: 800-490-2361
Technical Support: technicalsupport@pomonatest.com
Fax: 425-446-5844

Europe: 31-(0) 40 2675 150 **International:** 425-446-5500

Where to Buy: www.pomonaelectronics.com

All dimensions are in inches. Tolerances (except noted): .xx = ± 0.02 " (.51 mm), .xxx = ± 0.005 " (.127 mm). All specifications are to the latest revisions. Specifications are subject to change without notice. Registered trademarks are the property of their respective companies.

Model 5672A
Basic Electronic DMM Test Lead Kit**MATERIALS**

Model: **5672A Test Probes**: Over molded Probe Test Lead w/ right angle banana plugs:

Probe body and banana plug body: Polypropylene – Fire Retardant, Tip: Stainless Steel, Wire: 18 AWG, 192 x 41 bare copper, Silicone Insulation, O.D. 0.144" (3,66mm). Length: 48" (122cm), Banana Plug: Insulation: Polypropylene – Fire Retardant, Plug Body: Brass Nickel Plated, Spring: Beryllium Copper, Nickel Plated,
RATINGS: Operating Voltage: For CE compliance and for personal safety, do not hold in hand when voltages exceed 30 Vrms/42.4 Vpk/60 Vdc or current exceeds 8A maximum. Maximum voltage for hands free use: 1000 V. Do not use on circuits where transient stresses can exceed the rated voltage. Current: 10 Amps.

Model: **5682**: Probe Extended Tip Adapter:

Insulation: Polypropylene, Fire Retardant, Color: one black and one red
Probe Tip: Stainless Steel with Kynar Insulation Sleeve to Tip End

RATINGS: +80°C (+176°F) Max

Model: **5916A**: Medium Alligator Clips:

Insulation: Polypropylene, Fire Retardant, UL94 V-2 Rated, Color: one black and one red
Body: Steel, Nickel Plated, Spring: Music Wire

RATINGS: CAT I 300 V, Current: 5 Amps

USA: Sales: 800-490-2361
Technical Support: technicalsupport@pomonatest.com
Fax: 425-446-5844

Europe: 31-(0) 40 2675 150 **International:** 425-446-5500

Where to Buy: www.pomonaelectronics.com

All dimensions are in inches. Tolerances (except noted): .xx = ±.02" (.51 mm),
.xxx = ±.005" (.127 mm). All specifications are to the latest revisions.
Specifications are subject to change without notice. Registered trademarks are the property of their respective companies.

X-ON Electronics

Largest Supplier of Electrical and Electronic Components

Click to view similar products for [Test Leads](#) category:

Click to view products by [Pomona](#) manufacturer:

Other Similar products are found below :

[795-2384-10-25](#) [1301430020](#) [15107](#) [1510-24-105](#) [15308](#) [15408](#) [15302](#) [15307](#) [15407](#) [15409](#) [BU-1149-A-36-0](#) [BU-1481-E-12-0](#) [BU-1481-E-24-0](#) [1927617](#) [2450](#) [2524-A-60](#) [LB1F-2R-RED](#) [LB1F-2R-YLW](#) [2500](#) [2524-A-48](#) [2977-J-48](#) [R948131000](#) [380200](#) [BU-1449-E-12-2](#) [BU-1480-E-24-0](#) [BU-1481-E-12-2](#) [BU-1481-E-24-2](#) [LB1F-2R-BLK](#) [LB1F-2R-BLUE](#) [LB1F-2R-WHT](#) [6345](#) [6432](#) [EM3782-24-3#](#) [R948161002](#) [R948160002](#) [R948170002](#) [R948171002](#) [R948163002](#) [973604100](#) [934160101](#) [934160100](#) [R948174000](#) [CT3269](#) [CT3258](#) [CT3158-100](#) [HSPL 8568/AWG16/200/RT](#) [HSPL 8568/AWG16/200/SW](#) [28.0119-10020](#) [28.0127-05025](#) [28.0127-20025](#)