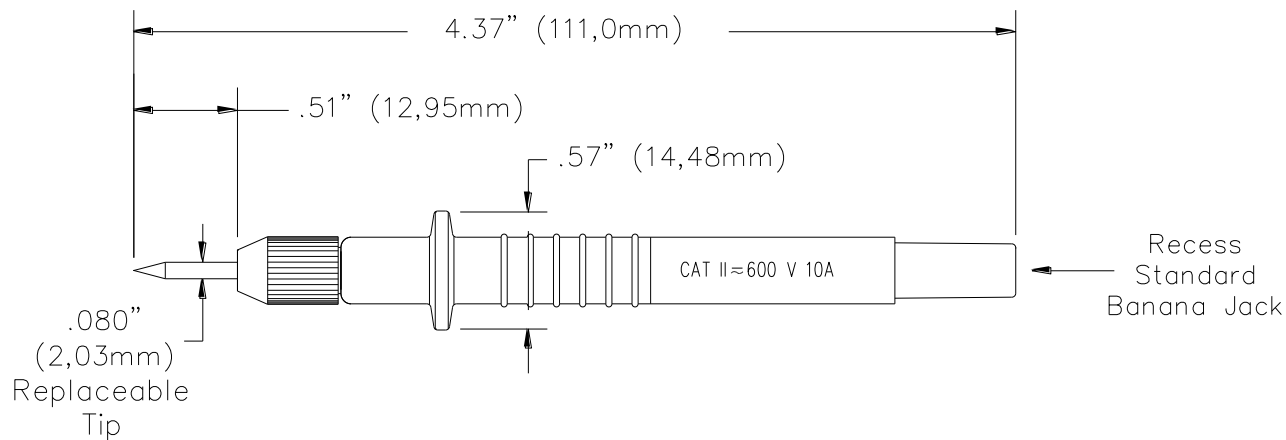


**Model 5689A**  
**Replaceable Tip Test Probe with Banana Jack**



**FEATURES:**

- Modular Test Probe
- Replaceable tip
- Comes with two Stainless-Steel Sharp Point Tips: Model 4172

**MATERIALS:**

Replaceable Tip Probe: Stainless Steel  
Tip O.D.: 0.080"  
Body: Nylon

**RATINGS:**

Operating Voltage: 600 Vrms per IEC 61010-031, Category II.  
Operating Current: 10 Amperes

**ORDERING INFORMATION:**

Model 5689A

**Replaceable Tips:**

- Model **5133**: SMD Microtip, Stainless-Steel Sharp Point  
Model **6364**: Set of replaceable tips
- 5688: Standard
  - 4174: Stainless-Steel Sharp Point
  - 5133: SMD Microtip, Stainless-Steel Sharp Point
  - 4988: Needle Stainless-Steel Sharp Point

**Modular Test Leads:**

- Model 5907A: Right-Angle Banana Plug to Straight Banana Plug  
Model 5908A: Straight Banana Plug to Straight Banana Plug  
Model 5909A: Right-Angle Banana Plug to Right-Angle Banana Plug



**USA:** Sales: 800-490-2361  
Technical Support: [technicalsupport@pomonatest.com](mailto:technicalsupport@pomonatest.com)  
Fax: 425-446-5844  
**Europe:** 31-(0) 40 2675 150 **International:** 425-446-5500  
**Where to Buy:** [www.pomonaelectronics.com](http://www.pomonaelectronics.com)

All dimensions are in inches. Tolerances (except noted): .xx = ±.02" (.51 mm), .xxx = ±.005" (.127 mm). All specifications are to the latest revisions. Specifications are subject to change without notice. Registered trademarks are the property of their respective companies.

## X-ON Electronics

Largest Supplier of Electrical and Electronic Components

*Click to view similar products for [Test Probes](#) category:*

*Click to view products by [Pomona](#) manufacturer:*

Other Similar products are found below :

[6214](#) [6474](#) [815003](#) [923832-BK-B](#) [P-KIT-1](#) [KT-MS001](#) [925250-R](#) [923848-C](#) [973368101](#) [972318101](#) [972318100](#) [MXHQ87WJ3000](#) [PK2-5MM-102](#) [382254](#) [TAS90](#) [VL1735/45](#) [973368100](#) [972327100](#) [972327101](#) [973995100](#) [973995101](#) [CT3982B-120](#) [CT4386](#) [PP023-1](#) [PK1-5MM-125](#) [PK1-5MM-127](#) [PP026-1](#) [P6139B-PK10](#) [PQ215](#) [PQ219](#) [PQ218](#) [GE.3421](#) [GE.3121](#) [GE.1511](#) [GE.1521](#) [GE.2511](#) [HVP15B](#) [TT-SI7002](#) [4005](#) [4011](#) [4013](#) [4014](#) [4015](#) [4016](#) [4018](#) [P TK-100](#) [P TK-250/100](#) [UTH05](#) [402-IEC-RT](#) [402-IEC-SW](#)