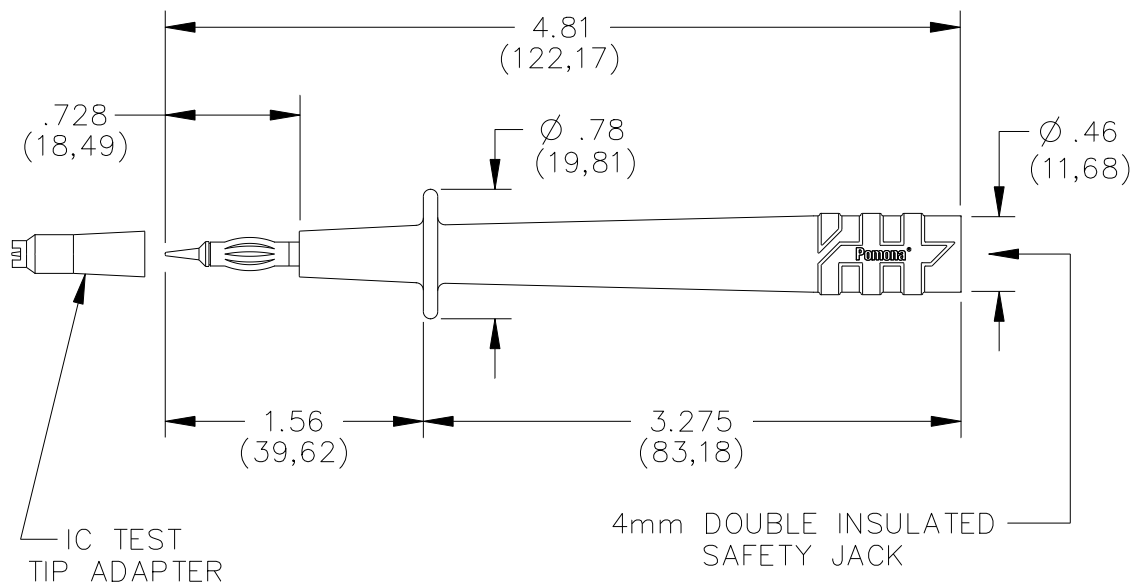


Model 5906A
Modular Test Probe Handle with Banana Plug Tip



FEATURES

- Model 5906A has been redesigned to meet IEC 61010-031, which is the latest international safety standard for test accessories.
- Probe safety jack mates to Pomona's 5907A, 5908A and 5909A Flexible Test Leads for digital multimeter interfacing.
- Probe tip cap offers easy DIP lead testing and prevents accidental probe shorting.
- 4 mm banana plug probe tip mates into banana jacks for added test flexibility.

MATERIAL

Probe Body: Polypropylene UL94 HB
 Plug Tip: Body – Brass, Nickel Plated
 4mm Safety Jack: Brass, Nickel Plated

RATINGS

Operating Voltage: IEC 61010-031, CAT III 1000 V (with protective cap), CAT II 1000 V (without protective cap).
 Current: 10 Amperes Max.

ORDERING INFORMATION

Model 5906A (Includes a set of one black and one red probe)
 Probe set is also included in many Pomona DMM Test Kits.



USA: Sales: 800-490-2361
 Technical Support: technicalsupport@pomonatest.com
 Fax: 425-446-5844
Europe: 31-(0) 40 2675 150 **International:** 425-446-5500
Where to Buy: www.pomonaelectronics.com

All dimensions are in inches. Tolerances (except noted): .xx = ±.02" (.51 mm), .xxx = ±.005" (.127 mm). All specifications are to the latest revisions. Specifications are subject to change without notice. Registered trademarks are the property of their respective companies.

X-ON Electronics

Largest Supplier of Electrical and Electronic Components

Click to view similar products for [Test Probes](#) category:

Click to view products by [Pomona](#) manufacturer:

Other Similar products are found below :

[6214](#) [6474](#) [815003](#) [923832-BK-B](#) [P-KIT-1](#) [KT-MS001](#) [925250-R](#) [923848-C](#) [973368101](#) [972318101](#) [972318100](#) [MXHQ87WJ3000](#) [PK2-5MM-102](#) [382254](#) [TAS90](#) [VL1735/45](#) [973368100](#) [972327100](#) [972327101](#) [973995100](#) [973995101](#) [CT3982B-120](#) [CT4386](#) [PP023-1](#) [PK1-5MM-125](#) [PK1-5MM-127](#) [PP026-1](#) [P6139B-PK10](#) [PQ215](#) [PQ219](#) [PQ218](#) [GE.3421](#) [GE.3121](#) [GE.1511](#) [GE.1521](#) [GE.2511](#) [HVP15B](#) [TT-SI7002](#) [4005](#) [4011](#) [4013](#) [4014](#) [4015](#) [4016](#) [4018](#) [P TK-100](#) [P TK-250/100](#) [UTH05](#) [402-IEC-RT](#) [402-IEC-SW](#)