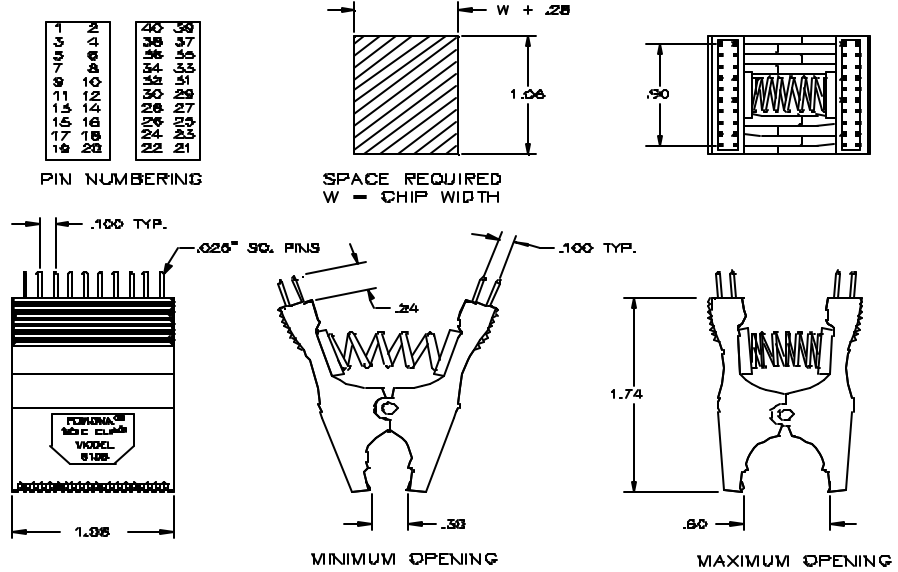


These new test clips are designed especially for in-circuit testing on 40 pin Small Outline Integrated Circuits (SOIC & SOJ).

The SOIC Clip® test clip assures a positive connection to all chip leads and provides hands-free testing.

- Upper contacts are .025" (0,63) sq. pins on 0.100" (2,54) centers. Pins are perfect for sq. pin receptacles, wire-wrap or soldered wires.



- Gold plated upper contacts fit standard double row ribbon cable connectors..
- Gold plated lower contacts assure reliable, noise free connections.
- Molded barriers between each contact allow connections to be made on live boards without accidental shorting to adjacent chip leads.
- Open back of clip allows probing of chip leads while the clip is attached.
- Fits all 40 pin surface mounted SOIC and SOJ chips from .30" (7,62) to .60" (15,24) wide.
- Compact design requires a minimum of board space. Clips can be placed on chips that are spaced only .040" (1,02) apart, end-to-end. The clip requires .14" (3,56) beyond each side of the chip for placement.

All dimensions are in inches. Tolerances (except noted): .xx = ±.02" (.51 mm), .xxx = ±.005" (.127 mm).  
All specifications are to the latest revisions. Specifications are subject to change without notice.  
Registered trademarks are the property of their respective companies. Made in USA

## X-ON Electronics

Largest Supplier of Electrical and Electronic Components

*Click to view similar products for [Test Clips](#) category:*

*Click to view products by [Pomona](#) manufacturer:*

Other Similar products are found below :

[010000](#) [923743-16](#) [BU-656-0](#) [4140A](#) [4324A](#) [TL820](#) [TL822](#) [5116](#) [5450](#) [5216](#) [5252](#) [5454](#) [5694](#) [923700](#) [923698](#) [CR0060](#) [3038](#) [927739-20](#)  
[923743-14](#) [932146101](#) [930318100](#) [930126101](#) [Z-SB3FA3250AAAB04001](#) [Z-S11F0107G1000](#) [Z-S11F0207B1520](#) [Z-S11F0207B2030](#) [Z-](#)  
[S11F0207B15000](#) [Z-SB3FA3226AAAB11001](#) [Z-S11F0207B1010](#) [923706](#) [930317800](#) [973889100](#) [972405100](#) [972405101](#) [R999720600](#) [949-](#)  
[1](#) [458-3](#) [SK 201200278 020](#) [BU-65-B](#) [BU-21CPN-GZZZ](#) [PK-HVA-02](#) [BU-25C-DZZZ](#) [BU-142-2](#) [00425](#) [R8-1A RED](#) [R8-54 BLACK](#) [R8-](#)  
[54 RED](#) [MA1SW](#) [MA260SH SW](#) [AX-CR-02-SET](#)