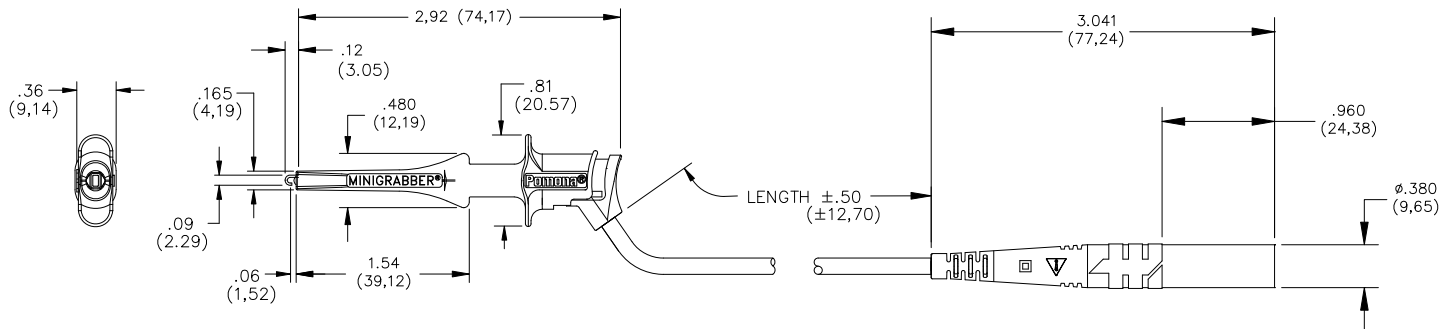


## Model 6248 Minigrabber® Test Clip to Sheathed Banana Jack



### Features

- Newly designed Minigrabber® Test Clip Patch Cord complies with IEC 61010-2-31, which is the latest international safety standard for test accessories.
- Grabber width is a slim .36" (9,14 mm) for easier access to test terminals.
- Grabber hook is gold plated beryllium copper to ensure signal integrity & attaches onto component leads up to .060" (1,5 mm) O.D.
- Grabber patch cord can connect directly to Pomona's sheathed type flexible tests leads for added patch cord length.
- Banana jack is molded directly to the cable for a long lasting connection.
- High strand count silicone insulated wire offers excellent flexibility and high temperature resistance.

### Materials

Grabber: Body: Polypropylene, Color per Part Number  
Hook: Beryllium Copper, Gold Plated, compression Spring: Music Wire  
Wire: 18 AWG, 65 x 36 Tinned Copper, Insulation – Silicone, .144" (3,66 mm) O.D., Color per P/N  
Banana Jack: Body – Brass, Nickel Plated  
Insulation – Polypropylene, Color per P/N

### Ratings

IEC 61010 2-031, Category II, P2 Compliant  
Operating Voltage: 300 VRMS/DC Max.  
Current: 5 Amperes Max.

### Ordering Information

Model 6248-XX-\*  
XX = Lead Length in Inches, Standard Length: 12" (30,48 cm)  
\* = Color Code, -0 Black and -2 Red  
Additional lengths can be quoted upon request.

**USA:** Sales: 800-490-2361  
Technical Support: [technicalsupport@pomonatest.com](mailto:technicalsupport@pomonatest.com)  
Fax: 425-446-5844  
**Europe:** 31-(0) 40 2675 150 **International:** 425-446-5500  
**Where to Buy:** [www.pomonaelectronics.com](http://www.pomonaelectronics.com)

All dimensions are in inches. Tolerances (except noted): .xx = ±.02" (.51 mm), .xxx = ±.005" (.127 mm). All specifications are to the latest revisions. Specifications are subject to change without notice. Registered trademarks are the property of their respective companies.

## X-ON Electronics

Largest Supplier of Electrical and Electronic Components

*Click to view similar products for [Test Leads](#) category:*

*Click to view products by [Pomona](#) manufacturer:*

Other Similar products are found below :

[795-2384-10-25](#) [1301430020](#) [15107](#) [1510-24-105](#) [15308](#) [15408](#) [15302](#) [15307](#) [15407](#) [15409](#) [BU-1149-A-36-0](#) [BU-1481-E-12-0](#) [BU-1481-E-24-0](#) [1927617](#) [2450](#) [2524-A-60](#) [LB1F-2R-RED](#) [LB1F-2R-YLW](#) [2500](#) [2524-A-48](#) [2977-J-48](#) [R948131000](#) [380200](#) [BU-1449-E-12-2](#) [BU-1480-E-24-0](#) [BU-1481-E-12-2](#) [BU-1481-E-24-2](#) [LB1F-2R-BLK](#) [LB1F-2R-BLUE](#) [LB1F-2R-WHT](#) [6345](#) [6432](#) [EM3782-24-3#](#) [R948161002](#) [R948160002](#) [R948170002](#) [R948171002](#) [R948163002](#) [973604100](#) [934160101](#) [934160100](#) [R948174000](#) [CT3269](#) [CT3258](#) [CT3158-100](#) [HSPL 8568/AWG16/200/RT](#) [HSPL 8568/AWG16/200/SW](#) [28.0119-10020](#) [28.0127-05025](#) [28.0127-20025](#)