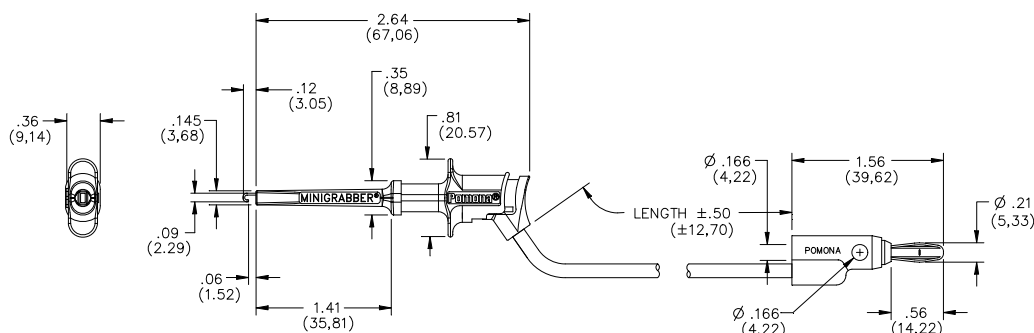


Model 6249

Minigrabber® Test Clip to Multi-Stacking Banana Plug Test Lead



Features

- Newly designed Minigrabber® Test Clip Patch Cord offers a high 300 Volt and 5 amp rating.
- Grabber width is a slim .36" (9,14 mm) for easier access to test terminals.
- Grabber hook is gold plated Beryllium Copper to ensure signal integrity & attaches onto component leads up to .060" (1,5 mm) O.D.
- Grabber patch cord interfaces directly into the most popular multimeters configured with non-sheathed style banana jacks, including Amprobe, Fluke, H-P, Tektronix and Wavetek.
- Plug is molded directly to the cable in an integral one-piece design for a long lasting connection.
- Multi-leaf banana spring material is nickel-plated Beryllium Copper for extended insertion life & low contact resistance.
- Banana plug features top and side stacking for added test versatility.
- High strand count silicone insulated wire offers excellent flexibility and high temperature resistance.

Materials

Grabber: Body – Polypropylene

Hook – Beryllium Copper, Gold Plated, Compression Spring: Music Wire

Wire: 18 AWG, 65 x 36 t.c., Insulation – Silicone, .144" (3,66 mm) O.D., Color per part number.

Banana Plug: Body – Brass, Nickel Plated, Spring – Beryllium Copper, Nickel Plated
Insulation – Polypropylene, Color per part number

Ratings

IEC 1010 2-031

Operating Voltage: For *CE Compliance* and for personal safety, do not hold in hand when voltages exceed 30 Vrms/60 Vdc. Maximum voltage for *hands free use*: 300 Vrms.

Do not use on circuits where transient stresses can exceed the rated voltage.

Operating Current: 5 Amperes Max.

Ordering Information

Model: 6249-XX-*

XX = Wire Length, Standard Lengths: 12" (30,48 cm), 24" (61 cm), 48" (122 cm)

* = Color: -0 Black, -2 Red

Ordering Example: 6249-48-2, Patch Cord is 48" (122 cm), Color is Red.

Additional lengths can be quoted upon request.

USA: Sales: 800-490-2361
Technical Support: technicalsupport@pomonatest.com
Fax: 425-446-5844

Europe: 31-(0) 40 2675 150 International: 425-446-5500

Where to Buy: www.pomonaelectronics.com

All dimensions are in inches. Tolerances (except noted): .xx = ±.02" (.51 mm), .xxx = ±.005" (.127 mm). All specifications are to the latest revisions. Specifications are subject to change without notice. Registered trademarks are the property of their respective companies.

X-ON Electronics

Largest Supplier of Electrical and Electronic Components

Click to view similar products for [Test Leads](#) category:

Click to view products by [Pomona](#) manufacturer:

Other Similar products are found below :

[614187](#) [668571](#) [795-2384-10-25](#) [855705](#) [1301430020](#) [1510-24-105](#) [BU-1149-A-36-0](#) [BU-1481-E-12-0](#) [BU-1481-E-24-0](#) [1888177](#) [1888358](#)
[1894586](#) [1894676](#) [1894810](#) [1895013](#) [1895051](#) [1895097](#) [1895114](#) [1895138](#) [1895177](#) [1895263](#) [1895288](#) [1895320](#) [1895484](#) [1895504](#)
[1895528](#) [1895596](#) [1895632](#) [1895644](#) [1908984](#) [1909524](#) [1911623](#) [1919532](#) [1922532](#) [1922571](#) [1923162](#) [1923196](#) [1927617](#) [2450](#) [2524-A-60](#)
[2530650](#) [911433](#) [LB1F-2R-RED](#) [LB1F-2R-YLW](#) [3045646](#) [1632463](#) [1888570](#) [1888581](#) [1894455](#) [1894629](#)