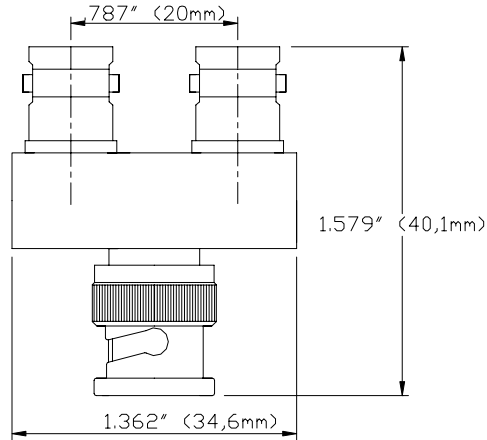


**Model 6754
BNC (F/M/F) Adapter, In-Line, 75 Ω**



Model 6754 BNC (F/M/F) Adapter, In-Line 75 Ω



Use 75 Ω Pomona BNC In-Line adapters for your broadcast applications

Features

- All connectors and adapters are 75 Ω for broadcast applications.
 - Made from precision machined high quality brass.
 - Insulation material is high density PTFE (**not delrin**).

Materials

- Body is precision machined brass with tarnish resistant nickel plating.
- Male center pin contacts are gold-plated brass (20 micro-inches).
- Female center contacts are gold-plated heat treated beryllium copper.
- High quality machined PTFE dielectric.

Ordering Information

Model: 6754

Specifications

Nominal impedance	75 Ω
Frequency	0-3 GHz
VSWR	1.10 max. 0-1 GHz 1.35 max. 1-3 GHz
Center contact resistance	1.5 mΩ
Insulation resistance	5000 MΩ
Number of insertions	500

Ratings:

Voltage: 500 Vrms
Operating Temperature: -85 °F to +329 °F (-65 °C to +165 °C) Max.

USA: Sales: 800-490-2361 Technical Support: 800-241-2060 Fax: 888-403-3360

Europe: 31-(0) 40 2675 150 International: 425-446-5500

e-mail: technicalsupport@pomonatest.com

Where to Buy: www.pomonaelectronics.com

All dimensions are in inches. Tolerances (except noted): .xx = ±.02" (.51 mm), .xxx = ±.005" (.127 mm). All specifications are to the latest revisions. Specifications are subject to change without notice. Registered trademarks are the property of their respective companies.

X-ON Electronics

Largest Supplier of Electrical and Electronic Components

Click to view similar products for [RF Adapters - Tee category](#):

Click to view products by [Pomona manufacturer](#):

Other Similar products are found below :

[R142782000](#) [R114780000W](#) [R142780000W](#) [R143780000](#) [R143782000](#) [344A505](#) [TN2](#) [443A505](#) [5207-1501-000](#) [R125780001](#) [034-1023](#)
[ADP-BNCF-2BNCF](#) [73148-5003](#) [31-208-1051](#) [CT3312](#) [53S301-K00N5](#) [CT2411](#) [43_SMB-50-0-2/111_NE](#) [32K301-K00L5](#) [46_SMA-50-0-](#)
[1/111_NE](#) [51S303-K00N5](#) [32S301-K00L5](#) [43_N-50-0-1/133_NE](#) [CPAD705](#) [BN153](#) [031-208-1051](#) [031-70036](#) [082-102](#) [112455](#) [112456](#)
[112459](#) [112461](#) [112462](#) [112567](#) [112590](#) [122354](#) [122356](#) [132216](#) [132217](#) [142300](#) [172125](#) [172127](#) [172233](#) [31-208](#) [31-208-RFX](#) [31-2208](#)
[31-8](#) [34-1023](#) [79700](#) [82-99](#)