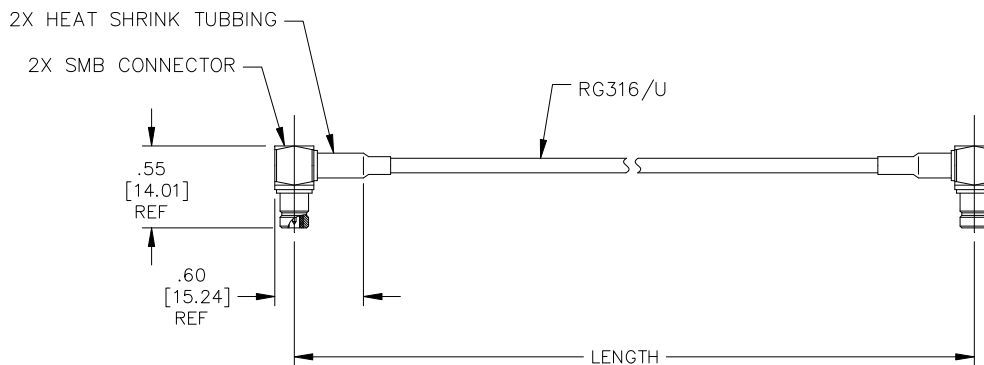


Model 73073

SMB Right-Angle Jack to SMB Right-Angle Jack, RG316/U



Model 73073
SMB Right-Angle Jack to SMB Right-Angle Jack,
RG316/U

Snap-on coupling and small size
for fast connect and disconnect

Features

- DC - 3GHz bandwidth.
- Connectors are precision machined and gold-plated for low loss.
- Small size and durability for RF coaxial applications.

Materials

SMB Male Connectors:

- Center Contact: Phosphor Bronze, Gold Plated
- Connector Body: Brass, Gold Plated
- Crimp Ferrule: Copper, Nickel Plated
- Insulators: PTFE

Specifications

Cable Type	RG316/U
Impedance	50Ω
Frequency Range	DC - 3GHz
Insulation Resistance	≥ 1000 MΩ
Insulator Withstand	750V
Temperature Range	-65° C to +165°C (-85°F to +329°F)
Jacket	FEP
Cable O.D.	0.098" (2.5mm)
Center Conductor (mm)	7 x .18 silver coated copper covered steel

Ordering Information

Model: **73073**

Cable Designator: **BB** = RG316/U

Standard Lengths: **6", 12", 24", 36", 48"**

- 6" ± .118" (152mm ± 3mm)
- 12" ± .157" (305mm ± 4mm)
- 24" ± .275" (610mm ± 7mm)
- 36" ± .394" (914mm ± 10mm)
- 48" ± .512" (1219mm ± 13mm)

Ordering Example: **73073-BB-24**, Cable is RG316/U
with length of 24" (610mm)

USA: Sales: 800-490-2361
Technical Support: technicalsupport@pomonatest.com
Fax: 425-446-5844

Europe: 31-(0) 40 2675 150 International: 425-446-5500

Where to Buy: www.pomonaelectronics.com

All dimensions are in inches. Tolerances (except noted): .xx = ±.02" (.51 mm), .xxx = ± .005" (.127 mm). All specifications are to the latest revisions. Specifications are subject to change without notice. Registered trademarks are the property of their respective companies.

X-ON Electronics

Largest Supplier of Electrical and Electronic Components

Click to view similar products for [RF Cable Assemblies](#) category:

Click to view products by [Pomona](#) manufacturer:

Other Similar products are found below :

[73-6352-10](#) [73-6353-3](#) [73-6364-6](#) [R285001001](#) [R288940004](#) [R288940005](#) [145111-05-12.00](#) [1661-C-24](#) [1801171170914KE](#) [24P104C24J1-012](#) [24P104C24P1-006](#) [24P104C24P1-018](#) [24P204C24J1-003](#) [172-2150-EX](#) [1800920920914PJ](#) [FCB-3030-ALT](#) [21117-046](#) [21117-050](#) [PCX-24-50](#) [24P103C24P2-003](#) [25P203C25P2-003](#) [PTWY-24-78](#) [R284008001](#) [R285001021](#) [R285426000](#) [R288940003](#) [R288940008](#) [RF179-74BJ3-77RP1-0305](#) [4814-BB-24](#) [5260-72](#) [JT2N1-CL1-1F](#) [DLP-COAX1](#) [4814-K-48](#) [115101-09-06.00](#) [CCNTN2-MM-LL335-26](#) [73-6351-25](#) [73-6352-3](#) [73-6353-25](#) [1800920920610PJ](#) [GD0BQ0BQ024.0](#) [1-3636-600-5210](#) [TL8A-11SMA-11SMA-01500-51](#) [R284C0351060](#) [R288940009](#) [R284C0351028](#) [R288940002](#) [9702-1SL-1](#) [PT82NSMA](#) [73-6353-10](#) [R285020301W](#)