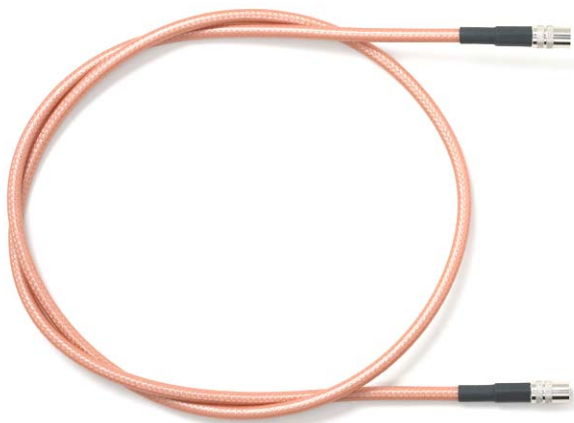
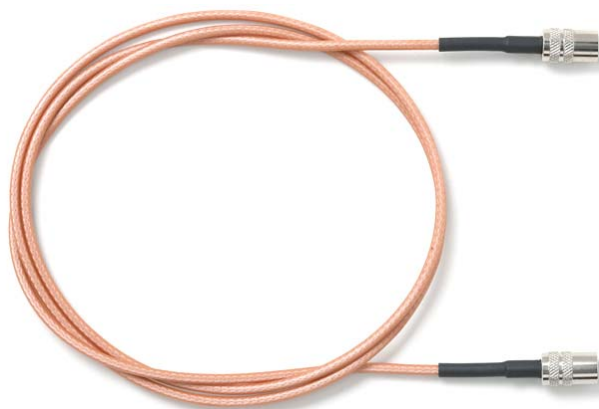


Model 73083

SMA Quick-Connect Plug to SMA Quick-Connect Plug, RG142B/U, RG316/U



Model 73083-X
SMA Quick-Connect Plug to SMA Quick-Connect Plug,
RG142B/U



Model 73083-BB
SMA Quick-Connect Plug to SMA Quick-Connect Plug,
RG316/U

Small size, and durability for confident connections

Features

- DC - 4GHz bandwidth.
- Precision machined connectors.
- Perfect for applications where space, weight, performance and ease of connections are required.

Materials

SMA Male Connectors:

- Center Contact: Brass, Gold Plated
- Connector Body: Brass, Nickel Plated
- Crimp Ferrule: Copper, Nickel Plated
- Insulators: PTFE

Specifications

Cable Type	RG142B/U	RG316/U
Impedance	50Ω	50Ω
Frequency Range	DC - 4GHz	DC - 4GHz
Capacitance per 1ft (0.305m)	29.0 pF	29.0 pF
Insulation Resistance	≥ 1000 MΩ	≥ 1000 MΩ
Insulator Withstand	750V	750V
Temperature Range	-65° C to +165°C (-85°F to +329°F)	-65° C to +165°C (-85°F to +329°F)
Jacket	FEP	FEP
Cable O.D. (inches)	0.195" (4.95mm)	0.098" (2.5mm)
Center Conductor (mm)	.95 solid silver coated copper covered steel	7 x .18 silver coated copper covered steel

USA: Sales: 800-490-2361
 Technical Support: technicalsupport@pomonatest.com
 Fax: 425-446-5844

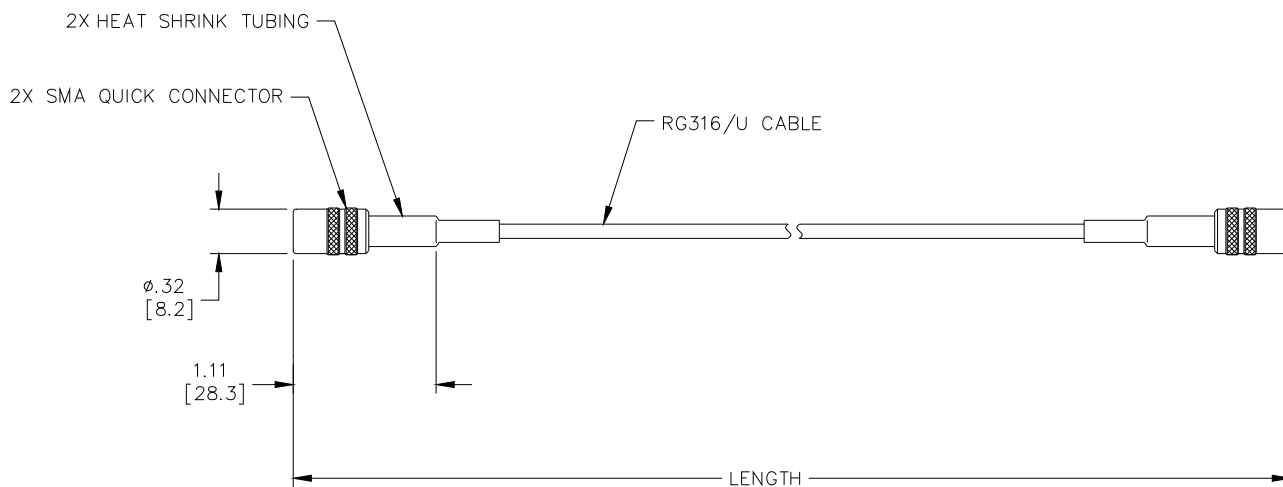
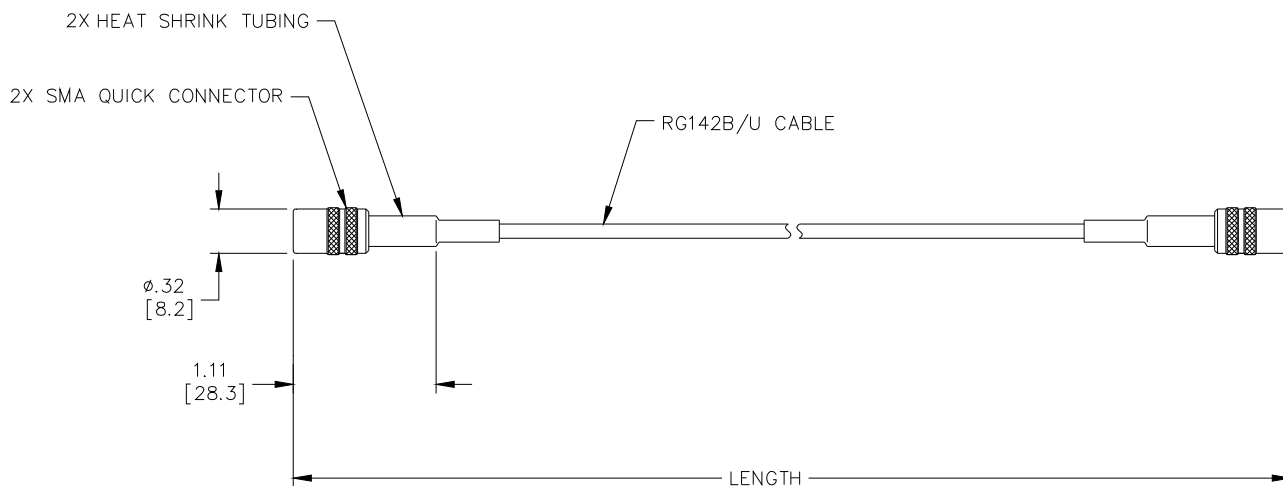
Europe: 31-(0) 40 2675 150 International: 425-446-5500

Where to Buy: www.pomonaelectronics.com

All dimensions are in inches. Tolerances (except noted): .xx = ±.02" (.51 mm), .xxx = ± .005" (.127 mm). All specifications are to the latest revisions. Specifications are subject to change without notice. Registered trademarks are the property of their respective companies.

Model 73083

SMA Quick-Connect Plug to SMA Quick-Connect Plug, RG142B/U, RG316/U



Ordering Information

Model: **73083**

Cable Designators: **X** = RG142B/U, **BB** = RG316/U

Standard Lengths: **12", 24", 36", 48", 60"**

- 12" \pm .157" (305mm \pm 4mm)
- 24" \pm .275" (610mm \pm 7mm)
- 36" \pm .394" (914mm \pm 10mm)
- 48" \pm .512" (1219mm \pm 13mm)
- 60" \pm .630" (1524mm \pm 16mm)

Ordering Example: **73083-X-48**, Cable is RG142B/U with length of 48" (1219mm)

USA: Sales: 800-490-2361
 Technical Support: technicalsupport@pomonatest.com
 Fax: 425-446-5844

Europe: 31-(0) 40 2675 150 **International:** 425-446-5500

Where to Buy: www.pomonaelectronics.com

All dimensions are in inches. Tolerances (except noted): .xx = \pm .02" (.51 mm),
 .xxx = \pm .005" (.127 mm). All specifications are to the latest revisions.
 Specifications are subject to change without notice. Registered trademarks are
 the property of their respective companies.

X-ON Electronics

Largest Supplier of Electrical and Electronic Components

Click to view similar products for [RF Cable Assemblies](#) category:

Click to view products by [Pomona](#) manufacturer:

Other Similar products are found below :

[73-6352-10](#) [73-6353-3](#) [73-6364-6](#) [R285001001](#) [R288940004](#) [R288940005](#) [145111-05-12.00](#) [1661-C-24](#) [1801171170914KE](#) [24P104C24J1-012](#) [24P104C24P1-006](#) [24P104C24P1-018](#) [24P204C24J1-003](#) [172-2150-EX](#) [1800920920914PJ](#) [FCB-3030-ALT](#) [21117-046](#) [21117-050](#) [PCX-24-50](#) [24P103C24P2-003](#) [25P203C25P2-003](#) [PTWY-24-78](#) [R284008001](#) [R285001021](#) [R285426000](#) [R288940003](#) [R288940008](#) [RF179-74BJ3-77RP1-0305](#) [4814-BB-24](#) [5260-72](#) [JT2N1-CL1-1F](#) [DLP-COAX1](#) [4814-K-48](#) [115101-09-06.00](#) [CCNTN2-MM-LL335-26](#) [73-6351-25](#) [73-6352-3](#) [73-6353-25](#) [1800920920610PJ](#) [GD0BQ0BQ024.0](#) [1-3636-600-5210](#) [TL8A-11SMA-11SMA-01500-51](#) [R284C0351060](#) [R288940009](#) [R284C0351028](#) [R288940002](#) [9702-1SL-1](#) [PT82NSMA](#) [73-6353-10](#) [R285020301W](#)