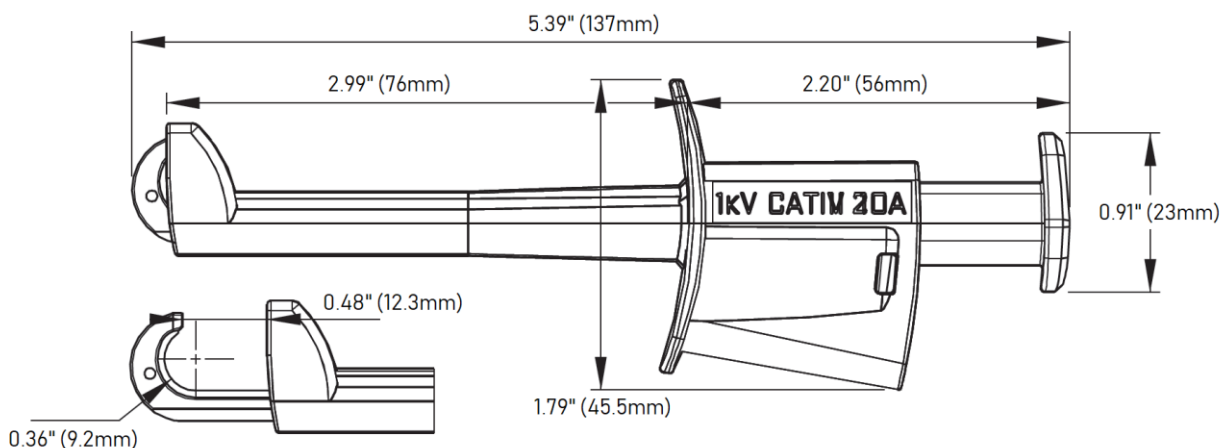


Model 73103
Maxigrabber® with Reinforced Insulation**Features**

- Reinforced insulation for increased electrical protection
- Designed for connections to high current conductors
- 12mm hook opening
- Ideal for electronic, electrical and industrial applications where access to hard-to-reach high voltage test points is a requirement
- Safety 4mm banana jack mates with Pomona's 5907A, 5908A, and 5909A test lead sets for interfacing with Digital Multi-Meters

Materials

Conductor: Nickel-plated brass, steel, and brass
Insulation: Polypropylene and Nylon 6

Ratings

Voltage: CAT II 1000V / CAT III 1000V / CAT IV 1000V
Current: 20 amperes
Operating Temperature: +5°C to +45°C (+41°F to 113°F)

Ordering Information

Model: 73103-*color*
Color: 0=Black, 2=Red
Maxigrabber® with Reinforced Insulation



USA: Sales: 800-490-2361
Technical Support: technicalsupport@pomonatest.com
Fax: 425-446-5844
Europe: 31-(0) 40 2675 150 **International:** 425-446-5500
Where to Buy: www.pomonaelectronics.com

All dimensions are in inches. Tolerances (except noted): .xx = ±.02" (.51 mm), .xxx = ±.005" (.127 mm). All specifications are to the latest revisions. Specifications are subject to change without notice. Registered trademarks are the property of their respective companies.

X-ON Electronics

Largest Supplier of Electrical and Electronic Components

Click to view similar products for [Test Leads](#) category:

Click to view products by [Pomona](#) manufacturer:

Other Similar products are found below :

[795-2384-10-25](#) [1301430020](#) [15107](#) [1510-24-105](#) [15308](#) [15408](#) [15302](#) [15307](#) [15407](#) [15409](#) [BU-1149-A-36-0](#) [BU-1481-E-12-0](#) [BU-1481-E-24-0](#) [1927617](#) [2450](#) [2524-A-60](#) [LB1F-2R-RED](#) [LB1F-2R-YLW](#) [2500](#) [2524-A-48](#) [2977-J-48](#) [R948131000](#) [380200](#) [BU-1449-E-12-2](#) [BU-1480-E-24-0](#) [BU-1481-E-12-2](#) [BU-1481-E-24-2](#) [LB1F-2R-BLK](#) [LB1F-2R-BLUE](#) [LB1F-2R-WHT](#) [6345](#) [6432](#) [EM3782-24-3#](#) [R948161002](#) [R948160002](#) [R948170002](#) [R948171002](#) [R948163002](#) [973604100](#) [934160101](#) [934160100](#) [R948174000](#) [CT3269](#) [CT3258](#) [CT3158-100](#) [HSPL 8568/AWG16/200/RT](#) [HSPL 8568/AWG16/200/SW](#) [28.0119-10020](#) [28.0127-05025](#) [28.0127-20025](#)