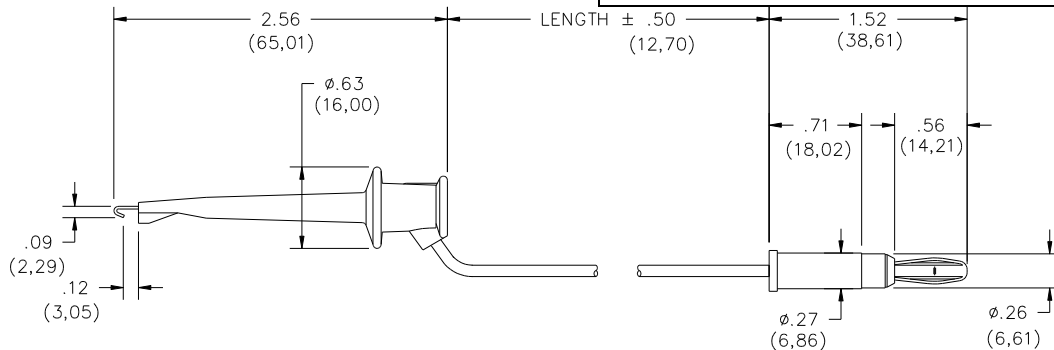


Model 4650 Minigrabber® Test Clip To In-Line Banana Plug



FEATURES:

- Ideal for connecting terminals and wire wrap post to test equipment.
- Banana Plug mates to Model #4702, 1581 or any standard Banana Jack.

MATERIALS:

Conn: 1st End – Miniature Test Clip

Material: Contact; ¼ HM Beryllium Copper alloy 165 per QQ-C-533.

Spring: Stainless steel.

Finish: Gold plated per MIL-G-45204, type II, .00001/.00002.

Insulation: Molded glass filled nylon.

Operating Temperature: +102°C. (+216°F.) Max. Color matches color of wire.

Marking: “POMONA ELECTRONICS MINI-TEST CLIP.”

Wire: 20 AWG. Stranding 41 x 36 tinned copper, extra flexible polyvinyl insulation, 2.21 (.087) O.D.

Color: See Ordering Information.

Marking: “POMONA 4650-XX.”

Conn: 2nd End – Banana Plug

Material: Spring; one piece heat treated Beryllium Copper, Berylco 25 per QQ-C-533.

Plug Body: Brass, H.H., per QQ-B-626, Alloy 360.

Finish: Nickel plated per QQ-N-290. Class 2 (.0002 Min.).

Insulation: Polypropylene molded to plug body and wire.

RATINGS: (Entire Assembly)

Operating Temperature.: +55°C. (+131°F.) Max.

Working Voltage: 300 VRMS/DC

Current: 5 Amperes Cont.

ORDERING INFORMATION: Model 4650-XX-*

XX = Cable Lengths, Standard Lengths 24” (610), 36” (914)

Additional lengths can be quoted upon request.

*= Color, -0 Black, -2 Red.

Ordering Example: 4650-36-2 Indicates 36” in length, color is Red

All dimensions are in inches. Tolerances (except noted): .xx = ±.02” (.51 mm), .xxx = ± .005” (.127 mm).

All specifications are to the latest revisions. Specifications are subject to change without notice.

Registered trademarks are the property of their respective companies. Made in USA

X-ON Electronics

Largest Supplier of Electrical and Electronic Components

Click to view similar products for [Test Leads](#) category:

Click to view products by [Pomona](#) manufacturer:

Other Similar products are found below :

[795-2384-10-25](#) [1301430020](#) [15107](#) [1510-24-105](#) [15308](#) [15408](#) [15302](#) [15307](#) [15407](#) [15409](#) [BU-1149-A-36-0](#) [BU-1481-E-12-0](#) [BU-1481-E-24-0](#) [1927617](#) [2450](#) [2524-A-60](#) [LB1F-2R-RED](#) [LB1F-2R-YLW](#) [2500](#) [2524-A-48](#) [2977-J-48](#) [R948131000](#) [380200](#) [BU-1449-E-12-2](#) [BU-1480-E-24-0](#) [BU-1481-E-12-2](#) [BU-1481-E-24-2](#) [LB1F-2R-BLK](#) [LB1F-2R-BLUE](#) [LB1F-2R-WHT](#) [6345](#) [6432](#) [EM3782-24-3#](#) [R948161002](#) [R948160002](#) [R948170002](#) [R948171002](#) [R948163002](#) [973604100](#) [934160101](#) [934160100](#) [R948174000](#) [CT3269](#) [CT3258](#) [CT3158-100](#) [HSPL 8568/AWG16/200/RT](#) [HSPL 8568/AWG16/200/SW](#) [28.0119-10020](#) [28.0127-05025](#) [28.0127-20025](#)