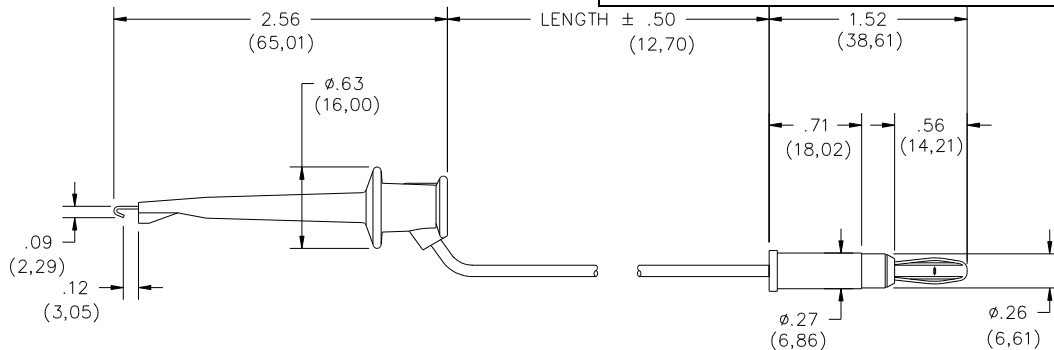


Model 4650 Minigrabber® Test Clip To In-Line Banana Plug



FEATURES:

- Ideal for connecting terminals and wire wrap post to test equipment.
- Banana Plug mates to Model #4702, 1581 or any standard Banana Jack.

MATERIALS:

Conn: 1st End – Miniature Test Clip

Material: Contact; ¼ HM Beryllium Copper alloy 165 per QQ-C-533.

Spring: Stainless steel.

Finish: Gold plated per MIL-G-45204, type II, .00001/.00002.

Insulation: Molded glass filled nylon.

Operating Temperature: +102°C. (+216°F.) Max. Color matches color of wire.

Marking: “POMONA ELECTRONICS MINI-TEST CLIP.”

Wire: 20 AWG. Stranding 41 x 36 tinned copper, extra flexible polyvinyl insulation, 2.21 (.087) O.D.

Color: See Ordering Information.

Marking: “POMONA 4650-XX.”

Conn: 2nd End – Banana Plug

Material: Spring; one piece heat treated Beryllium Copper, Berylco 25 per QQ-C-533.

Plug Body: Brass, H.H., per QQ-B-626, Alloy 360.

Finish: Nickel plated per QQ-N-290. Class 2 (.0002 Min.).

Insulation: Polypropylene molded to plug body and wire.

RATINGS: (Entire Assembly)

Operating Temperature.: +55°C. (+131°F.) Max.

Working Voltage: 300 VRMS/DC

Current: 5 Amperes Cont.

ORDERING INFORMATION: Model 4650-XX-*

XX = Cable Lengths, Standard Lengths 24” (610), 36” (914)

Additional lengths can be quoted upon request.

*= Color, -0 Black, -2 Red.

Ordering Example: 4650-36-2 Indicates 36” in length, color is Red

All dimensions are in inches. Tolerances (except noted): .xx = ±.02” (.51 mm), .xxx = ± .005” (.127 mm).

All specifications are to the latest revisions. Specifications are subject to change without notice.

Registered trademarks are the property of their respective companies. Made in USA

X-ON Electronics

Largest Supplier of Electrical and Electronic Components

Click to view similar products for [Test Plugs & Test Jacks](#) category:

Click to view products by [Pomona](#) manufacturer:

Other Similar products are found below :

[01-2601-4-0210](#) [01-2601-4-0212](#) [01-2604-4-0212](#) [01-2604-5-0210](#) [01-2150-1-0312](#) [01-2350-1-02](#) [01-2352-1-02](#) [01-2368-1-02](#) [01-2604-4-0210](#) [01-2604-5-0212](#) [01-2606-4-0210](#) [01-2606-4-0212](#) [01-2606-5-0212](#) [M39024/10-01G](#) [M39024/10-17G](#) [M39024/11-09G](#) [M39024/11-42](#) [M39024/11-43](#) [M39024/12-08](#) [707-5311](#) [707-5402-01-19](#) [707-5410](#) [923739-40-I](#) [R644543000](#) [R948161000](#) [R999351000](#) [1408-4](#) [1499-101](#) [1533-1](#) [1659559](#) [1659567](#) [1663921](#) [1663939](#) [1696-102](#) [174-R825B-EX](#) [NYS508-BU](#) [NYS508-O](#) [211-101](#) [RS100GBL](#) [RS250GBL](#) [251-102](#) [25-2251-2-03](#) [25-2259-2-03](#) [923743-16-I](#) [923743-24-I](#) [923743-28-I](#) [2854-BLU](#) [2970-BLK](#) [30-443G](#) [1680](#)