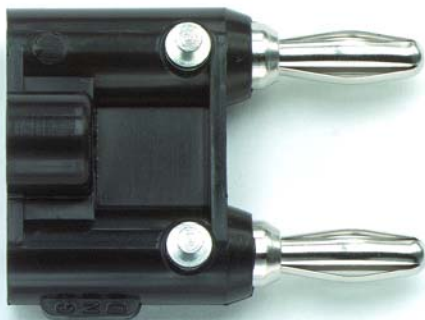
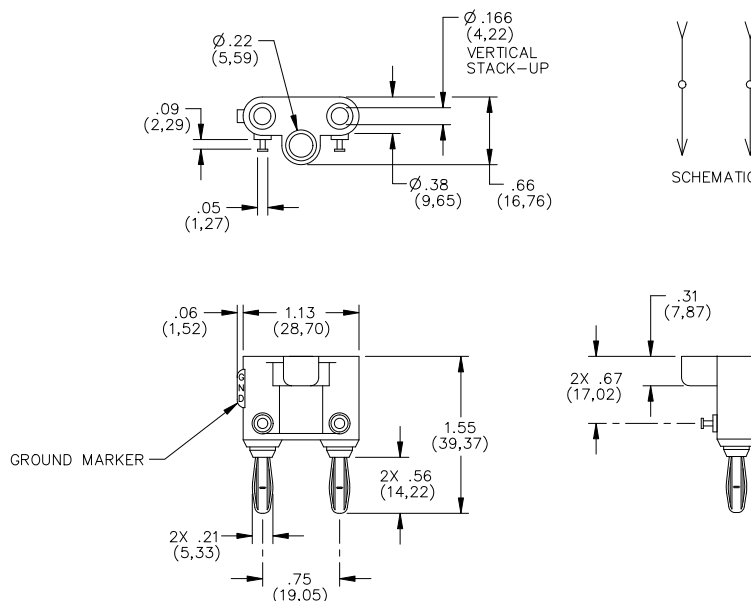


Model MDP-ST Double Banana Plug with Solder Turret Terminals



Model MDP-ST
Double Banana Plug with Solder Turret Terminals



Features

- Simplified attachment of cables or small components by means of solder turrets.
- For test versatility, banana plugs can be vertically stacked to the banana plug.
- Banana plug spring is Beryllium Copper for long insertion life.

Materials

Banana Plug: Body – Brass, Nickel Plated
Spring – Beryllium Copper, Nickel Plated

Insulation: Polypropylene, Color: Black

Marking: "MDP-ST", "POMONA ELECTRONICS CO, INC. POMONA, CALIF."

Ratings

Operating Temperature: +55°C. (+122°F.) Max.

Operating Voltage: Hand-held testing: 30 VAC/60 VDC Max.

Hands free testing in controlled voltage environments: 5000 WVDC.

Current: 15 Amps

Ordering Information

Model: MDP-ST

Color option is black only

USA: Sales: 800-490-2361
Technical Support: technicalsupport@pomonatest.com
Fax: 425-446-5844

Europe: 31-(0) 40 2675 150 **International:** 425-446-5500

Where to Buy: www.pomonaelectronics.com

All dimensions are in inches. Tolerances (except noted): .xx = ±.02" (.51 mm), .xxx = ±.005" (.127 mm). All specifications are to the latest revisions. Specifications are subject to change without notice. Registered trademarks are the property of their respective companies.

X-ON Electronics

Largest Supplier of Electrical and Electronic Components

Click to view similar products for [Test Plugs & Test Jacks](#) category:

Click to view products by [Pomona](#) manufacturer:

Other Similar products are found below :

[01-2601-4-0210](#) [01-2601-4-0212](#) [01-2604-4-0212](#) [01-2604-5-0210](#) [01-2150-1-0312](#) [01-2350-1-02](#) [01-2352-1-02](#) [01-2368-1-02](#) [01-2604-4-0210](#) [01-2604-5-0212](#) [01-2606-4-0210](#) [01-2606-4-0212](#) [01-2606-5-0212](#) [M39024/10-01G](#) [M39024/10-17G](#) [M39024/11-09G](#) [M39024/11-42](#) [M39024/11-43](#) [M39024/12-08](#) [707-5311](#) [707-5402-01-19](#) [707-5410](#) [923739-40-I](#) [R644543000](#) [R948161000](#) [R999351000](#) [1408-4](#) [1499-101](#) [1533-1](#) [1659559](#) [1659567](#) [1663921](#) [1663939](#) [1696-102](#) [174-R825B-EX](#) [NYS508-BU](#) [NYS508-O](#) [211-101](#) [RS100GBL](#) [RS250GBL](#) [251-102](#) [25-2251-2-03](#) [25-2259-2-03](#) [923743-16-I](#) [923743-24-I](#) [923743-28-I](#) [2854-BLU](#) [2970-BLK](#) [30-443G](#) [1680](#)