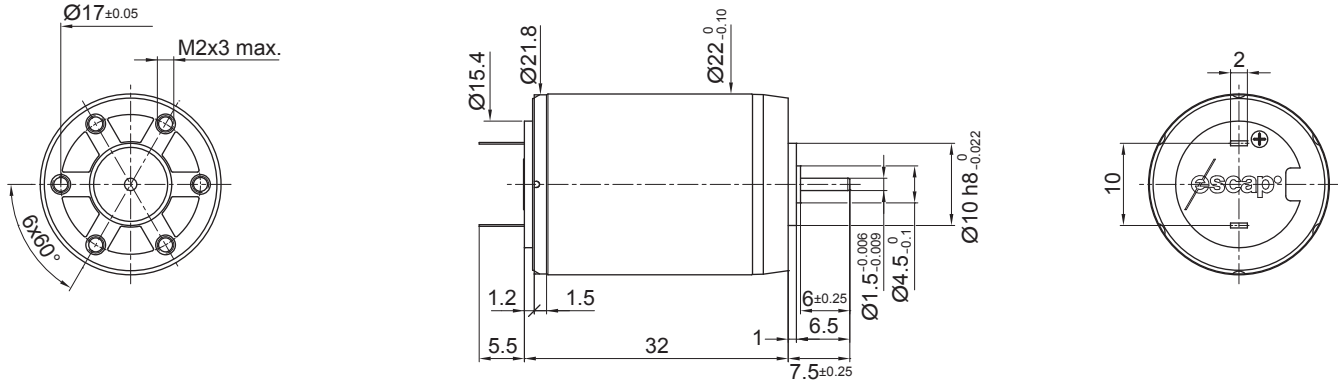


22N78 Athlonix™

Ø 22 mm • Precious metal commutation • 15.7 mNm



Dimensions in mm.

Electrical Data	Symbol	22N78 .... .1001						Unit
		319P	313P	311P	216E	215E	208E	
1 Nominal Voltage	V	6	9	12	18	24	48	Volt
2 No-Load Speed	$n_0$	8,660	6,860	7,280	8,250	9,075	6,350	rpm
3 No-Load Current	$I_0$	28.0	20.0	11.0	6.0	5.0	1.5	mA
4 Terminal Resistance	R	0.6	2.5	3.9	7.7	11.0	107.0	$\Omega$
5 Output Power	$P_{2max}$	13.0	12.0	12.0	11.3	11.5	10.0	W
6 Stall Torque	mNm	66 (9.35)	45 (6.38)	48 (6.8)	49 (6.94)	55 (7.79)	32 (4.54)	mNm (oz-in)
7 Efficiency	$\eta_{max}$	90	90	88	90	91	91	%
8 Max Continuous Speed	$n_{e max}$	10,000	10,000	10,000	10,000	10,000	10,000	rpm
9 Max Continuous Torque	$M_{e max}$	15.7 (2.06)	14.5 (2.06)	14.8 (2.1)	13.8 (1.96)	14.5 (2.06)	12.9 (1.83)	mNm (oz-in)
10 Max Continuous Current	$I_{e max}$	2.40	1.18	0.95	0.67	0.58	0.18	A
11 Back-EMF Constant	$k_E$	0.69	1.31	1.64	2.18	2.64	7.54	mV/rpm
12 Torque Constant	$k_M$	6.60	12.50	15.70	20.80	25.20	72.00	mNm/A
13 Motor Regulation	$R/k^2$	13.8	16.0	15.8	17.80	17.32	20.64	$10^3/Nms$
14 Friction Torque	$T_F$	0.07 (0.01)	0.25 (0.04)	0.11 (0.02)	0.12 (0.02)	0.12 (0.02)	0.07 (0.01)	mNm (oz-in)
15 Rotor Inductance	L	0.04	0.16	0.25	0.50	0.60	7.00	mH
16 Mechanical Time Constant	$\tau_m$	6.7	7.0	6.6	8.4	7.8	6.9	ms
17 Rotor Inertia	J	4.90	4.39	4.20	4.74	4.50	3.32	g-cm <sup>2</sup>

General Data

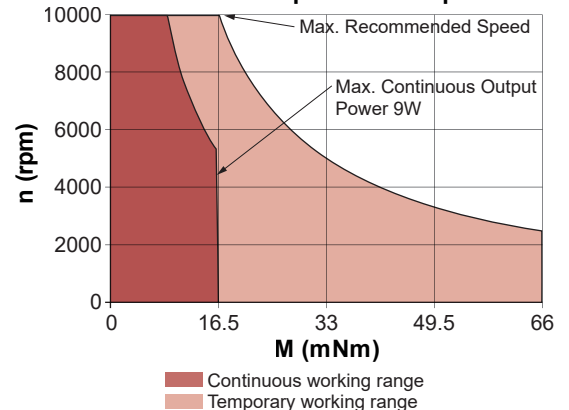
18 Thermal Resistance (rotor/body)	$R_{th1}/R_{th2}$	6/22						$^{\circ}C/W$
19 Thermal Time Constant (rotor/stator)	$t_{W1}/t_{W2}$	9/550						S
20 Operating Temperature Range:	motor	-30°C to 85°C (-22°F to 185°F)						$^{\circ}C (^{\circ}F)$
	rotor							$^{\circ}C (^{\circ}F)$
21 Shaft Load Max.: (5 mm. from bearing)	-radial -axial	With sleeve bearings						N (oz)
								N (oz)
								mm (inch)
22 Shaft Play:	-radial	<0.03 (0.0012)						mm (inch)
	-axial	0.15 (0.0059)						mm (inch)
23 Weight	g	53 (1.87)						g (oz)
24 Commutation Segment	-	9						segment

Execution Table

Gearbox	Single Shaft	MR2	E9
R22	1001	1008	1005
K24	1001	1008	1005
K27	1001	1008	1005
R22HT	1024	Upon Request	1025

► Motor shaft rotates CW when seen from motor front face when +ve and -ve supply is given to respective terminals.

No Load Speed vs. Torque



## X-ON Electronics

Largest Supplier of Electrical and Electronic Components

*Click to view similar products for [portescap](#) manufacturer:*

Other Similar products are found below :

[12G88-213E.1001](#) [22S28-205E.1](#) [16N1R78214E1005](#) [16G88-208E.1](#) [08G61-105.1](#) [22S28-208E.1](#) [16N78-210E.1001](#) [35NT2R32-416SP.1](#)  
[17N78213E1](#) [17N78-208E.1](#) [17S78-208P.1](#) [22S28-210P.1](#) [17N1R78213E1](#) [17S78-209E.1](#) [22N78313P1001](#) [13N88-110.1](#) [12G88-215E.1001](#)  
[16N78-212E.1001](#) [35GLT2R82-326P.1](#) [16G88-211E.1](#) [22N78-311P.1001](#) [22N78-319P.1001](#) [16N78-212P.1001](#) [16N28-207E.201](#) [16G88-](#)  
[220P.1](#) [16N78214E1001](#) [22V28-213E.201](#) [30GT2R82-234E.4](#) [16N28-210E.1](#) [13N88-213E.1](#) [16N78-208E.1001](#) [16N78-135.1001](#) [22N28-](#)  
[213E.286](#) [16N28-208E.202](#) [22N28-210E.286](#) [16G88-213E.1](#) [08GS61-105C.1](#) [13N88-216E.1](#)