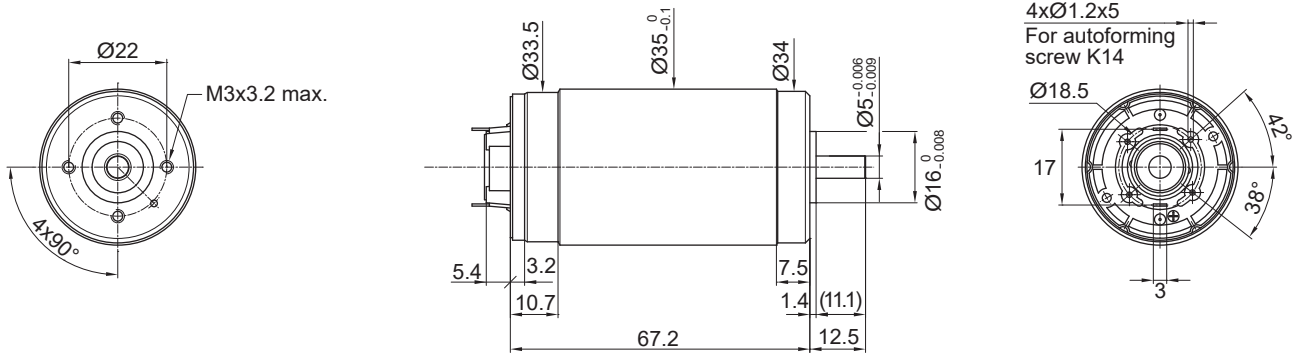


35GLT2R82

Ø 35 mm • Graphite-Copper commutation • 160 mNm



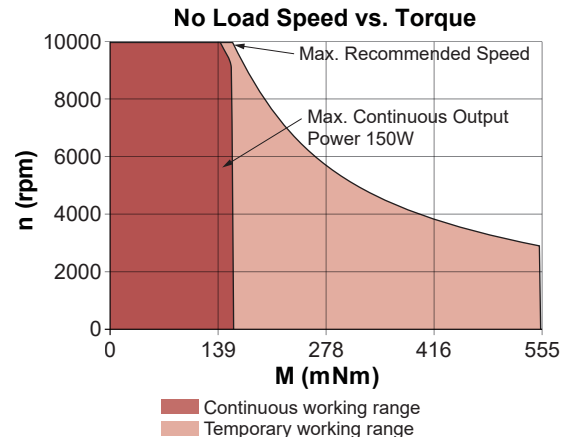
Dimensions in mm.

Electrical Data	Symbol	426P	326P	35GLT2R82 .... 1	234E	426SP	426E	Unit
1 Nominal Voltage	V	24	24	48	48	90		Volt
2 No-Load Speed	$n_0$	6,260	5,835	7,490	6,175	5,439		rpm
3 No-Load Current	$I_0$	120.0	120.0	70.0	60.0	60.0		mA
4 Terminal Resistance	R	0.7	0.9	2.3	2.5	9.5		Ω
5 Output Power	$P_{2max}$	136.0	124.0	122.0	142.0	150.0		W
6 Stall Torque	mNm	1327 (187.92)	1043 (147.71)	1300 (184.1)	1409 (199.54)	1487 (210.58)		mNm (oz-in)
7 Efficiency	$\eta_{max}$	89	87	89	89	85		%
8 Max Continuous Speed	$n_{e,max}$	10,000	10,000	10,000	10,000	10,000		rpm
9 Max Continuous Torque	$M_{e,max}$	142 (18.7)	132 (18.7)	130 (18.41)	150 (21.25)	160 (22.66)		mNm (oz-in)
10 Max Continuous Current	$I_{e,max}$	4.20	3.50	2.20	2.10	1.05		A
11 Back-EMF Constant	$k_E$	3.82	4.09	6.39	7.75	16.44		mV/rpm
12 Torque Constant	$k_M$	36.50	39.10	61.00	74.00	157.00		mNm/A
13 Motor Regulation	$R/k^2$	0.5	0.6	0.6	0.46	0.39		10 <sup>3</sup> Nms
14 Friction Torque	$T_F$	4.38 (0.63)	4.69 (0.67)	4.27 (0.61)	4.44 (0.63)	9.42 (1.34)		mNm (oz-in)
15 Rotor Inductance	L	0.10	0.15	0.25	0.40	1.70		mH
16 Mechanical Time Constant	$\tau_m$	3.9	4.4	4.0	4.0	2.7		ms
17 Rotor Inertia	J	83.00	75.00	65.00	85.00	70.00		g-cm <sup>2</sup>

General Data				
18 Thermal Resistance (rotor/body)	$R_{th1}/R_{th2}$		4/8	°C/W
19 Thermal Time Constant (rotor/stator)	$t_{W1}/t_{W2}$		75/950	S
20 Operating Temperature Range:	motor	-30°C to 85°C (-22°F to 185°F)		°C (°F)
	rotor			100°C (212°F)
21 Shaft Load Max.: (5 mm. from bearing)		With ball bearings		
	-radial		35.0 (125.9)	N (oz)
	-axial		100 (359.6)	N (oz)
22 Shaft Play:	-radial		negligible	mm (inch)
	-axial		negligible	mm (inch)
23 Weight	g		360 (12.7)	g (oz)
24 Commutation Segment	-		13	segment

Execution Table

Gearbox	Single Shaft	E9	HEDS
R32	1	50	Upon Request
R40	1	50	Upon Request



► Motor shaft rotates CW when seen from motor front face when +ve and -ve supply is given to respective terminals.

## X-ON Electronics

Largest Supplier of Electrical and Electronic Components

*Click to view similar products for [portescap](#) manufacturer:*

Other Similar products are found below :

[12G88-213E.1001](#) [22S28-205E.1](#) [16N1R78214E1005](#) [16G88-208E.1](#) [08G61-105.1](#) [22S28-208E.1](#) [16N78-210E.1001](#) [35NT2R32-416SP.1](#)  
[17N78213E1](#) [17N78-208E.1](#) [17S78-208P.1](#) [22S28-210P.1](#) [17N1R78213E1](#) [17S78-209E.1](#) [22N78313P1001](#) [13N88-110.1](#) [12G88-215E.1001](#)  
[16N78-212E.1001](#) [35GLT2R82-326P.1](#) [16G88-211E.1](#) [22N78-311P.1001](#) [22N78-319P.1001](#) [16N78-212P.1001](#) [16N28-207E.201](#) [16G88-](#)  
[220P.1](#) [16N78214E1001](#) [22V28-213E.201](#) [30GT2R82-234E.4](#) [16N28-210E.1](#) [13N88-213E.1](#) [16N78-208E.1001](#) [16N78-135.1001](#) [22N28-](#)  
[213E.286](#) [16N28-208E.202](#) [22N28-210E.286](#) [16G88-213E.1](#) [08GS61-105C.1](#) [13N88-216E.1](#)