



MW-MLD-3030-1W-LENS v.2

Professional Led Modules; **10-20cm** 3D double-sided lightboxes



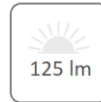
■ Features:

- luminous efficacy 83 lm/W
- for indoor and outdoor use
- 20 pcs in chain

UK
CA

CE

TECHNICAL DETAILS



MODEL	MW-MLD-3030-1W-LENS v.2
Supply voltage	12V DC
Power consumption per module	1.5W
Chain power consumption	45W
Current consumption per module	125mA
LED diodes	San`an led - 3030
Quantity of LEDs	1
Light color	White (~6500K)
Luminous flux	125lm (W)
Luminous flux density	83lm (W)
Color rendering index - CRI	≥80
Beam angle	15x55°
Current stabilization	Yes
Dimming	Yes
Module dimensions (L x W x H)	43 x 36 x 13mm
Cable length	107mm
Number of modules in 1m	6.6
Box weight	11kg
Packing	Chain – 30pcs / Bag – 60pcs / Box – 600pcs
Montage	Adhesive tape / mounting screw
Lifetime	L70B50 > 50000h
Working temperature	-25°C ÷ 55°C
IP protection	IP67
Warranty	5 years

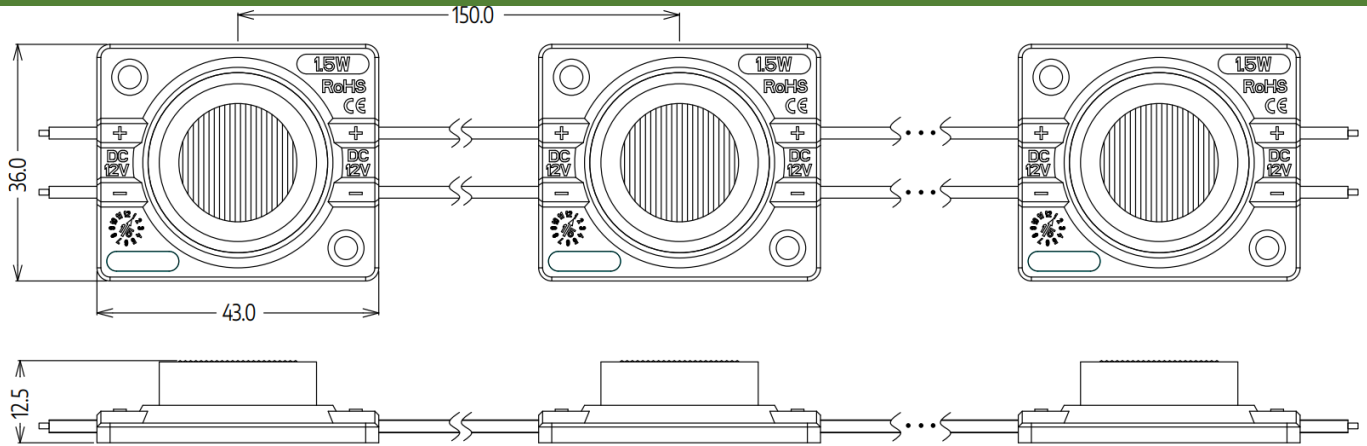


MW-MLD-3030-1W-LENS v.2



Professional Led Modules; **10-20cm** 3D double-sided lightboxes

Dimensions



Connection diagram

One-side power input:

Two-side power input:



Maximum number of modules 30 pcs

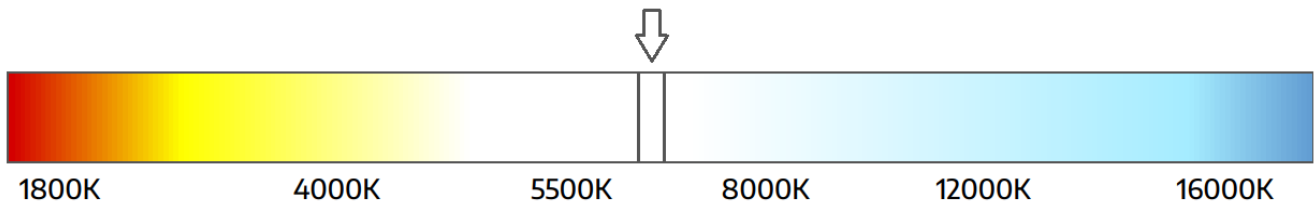
Maximum number of modules 60 pcs

It is acceptable to connect multiple chains in parallel, as long as the power supply provides sufficient power

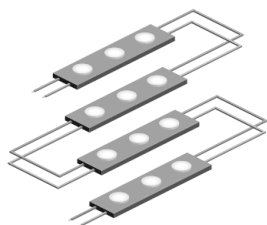
Light color / CCT

Light color

White (~6500K)



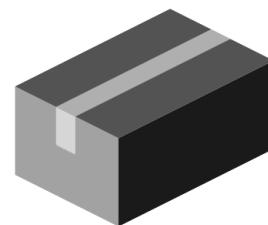
Packing



Chain
30 pcs



Bag
60 pcs



Box
600 pcs

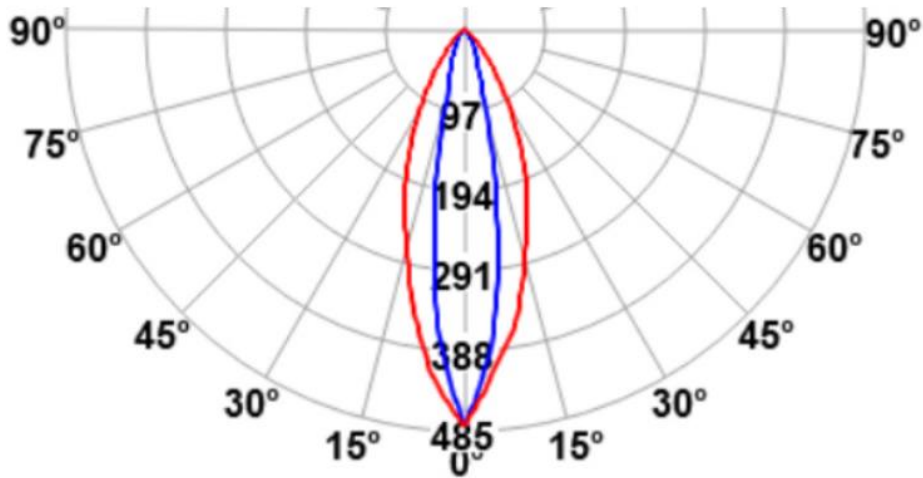


MW-MLD-3030-1W-LENS v.2

Professional Led Modules; **10-20cm** 3D double-sided lightboxes



Beam angle



Energy label

ENERGY

MW LIGHTING
MW-MLD-3030-1W-LENS v.2

A
B
C
D
E
F
G

2
kWh/1000h

2019/2015

X-ON Electronics

Largest Supplier of Electrical and Electronic Components

Click to view similar products for [LED Bars and Arrays](#) category:

Click to view products by [POS manufacturer](#):

Other Similar products are found below :

[LTL-2755Y](#) [LF2B-D3P-BTHWW2-1M](#) [SSA-LXB10GW-18751](#) [SSA-LXB10YW](#) [SSA-LXH1025I1G7XXD](#) [HLMP2300](#) [LTL-2450Y](#) [LTL-2855G](#) [HLMP2655](#) [SSB-LX2301SIW](#) [TOS-4102BR-N](#) [SSA-LXB10-IYG8W-1](#) [LPB-R0112051S](#) [SSA-LXB525-I1G3I1D](#) [MW-MLD-2835-3W-LENS V,2](#) [MW-MLD-2835-1W-LENS](#) [OSWSW51006B-5V](#) [MW-MLD-2835-3B-LENS](#) [OSWM43-K4W](#) [OSWM43-G5W](#) [MW-MLD-2835-2W-LENS V,2](#) [OSWSM51006B-5V](#) [OST1MC5A31A-W1V](#) [WL 30 W](#) [MW-MLD-HE-3W-LENS170](#) [WL 20 W](#) [OSWM43-W5W](#) [57844](#) [113162000-00660681](#) [49983](#) [MW-MLD-HE-1WW-LENS170](#) [OSWM43-B6W](#) [MW-MLD-HE-2W-LENS170](#) [OSWM43-B5W](#) [OSWM43-Y5W](#) [MINIOVAL-1WW](#) [ALUSTAR-G2-NA-SC590-1A-54](#) [TOWER 5 CONNECT](#) [SCANGRIP TRIPOD 2 M](#) [WÜRTH CONNECTOR](#) [RIDGID CONNECTOR](#) [BOSCH GREEN CONNECTOR](#) [SCANGRIP TRIPOD](#) [POWER SUPPLY CONNECT](#) [DEWALT CONNECTOR](#) [SUPERFORM](#) [INGERSOLL CONNECTOR](#) [EINHELL CONNECTOR](#) [MAGNET BRACKET](#) [MAKITA CONNECTOR](#)