



# NEVADA-3W v.2

Professional Led Modules; **8-20CM** 3D letters, lightboxes



## ■ Features:

- luminous efficacy 100 lm/W
- for indoor and outdoor use
- 20 pcs in chain



UK  
CA

CE

## TECHNICAL DETAILS



| MODEL                          | NEVADA-3W v.2                                |
|--------------------------------|--|
| Supply voltage                 | 12V DC                                       |
| Power consumption per module   | 1.2W   |
| Chain power consumption        | 24W  |
| Current consumption per module | 100mA  |
| LED diodes                     | EPISTAR-2835                                 |
| Quantity of LEDs               | 3  |
| Light color                    | White (~6500K)                               |
| Luminous flux                  | 120lm (W)                                    |
| Luminous flux density          | 100lm (W)                                    |
| Color rendering index - CRI    | ≥80  |
| Beam angle                     | 160°   |
| Current stabilization          | No   |
| Dimming                        | Yes  |
| Module dimensions (L x W x H)  | 61 x 12 x 5mm                                |
| Cable length                   | 70mm   |
| Number of modules in 1m        | 7.7  |
| BOX weight                     | 17kg   |
| Packing                        | Chain – 20pcs / Bag – 100pcs / Box – 2600pcs |
| Montage                        | Adhesive tape / mounting screw               |
| Lifetime                       | L70B50 > 50000h                              |
| Working temperature            | -25°C ÷ 55°C                                 |
| IP protection                  | IP67   |
| Warranty                       | 4 years                                      |

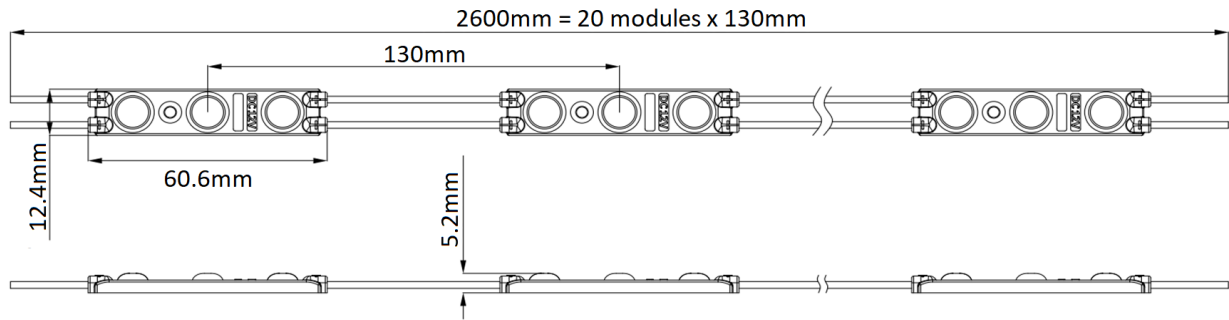


# NEVADA-3W v.2

Professional Led Modules; 8-20CM 3D letters, lightboxes



## Dimensions



## Connection diagram

One-side power input:



Maximum number of modules 20 pcs

Two-side power input:

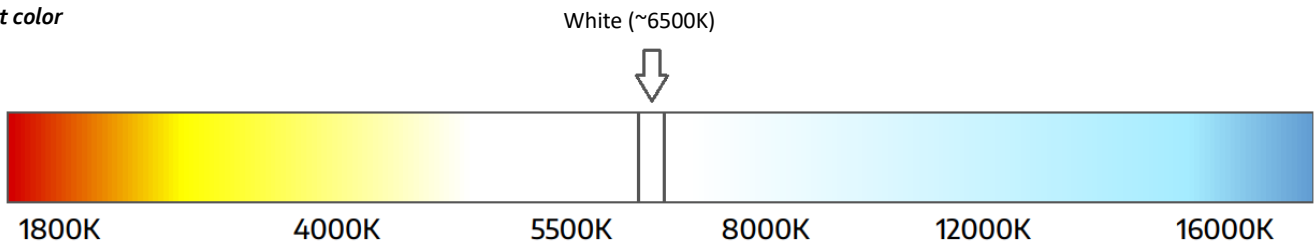


Maximum number of modules 40 pcs

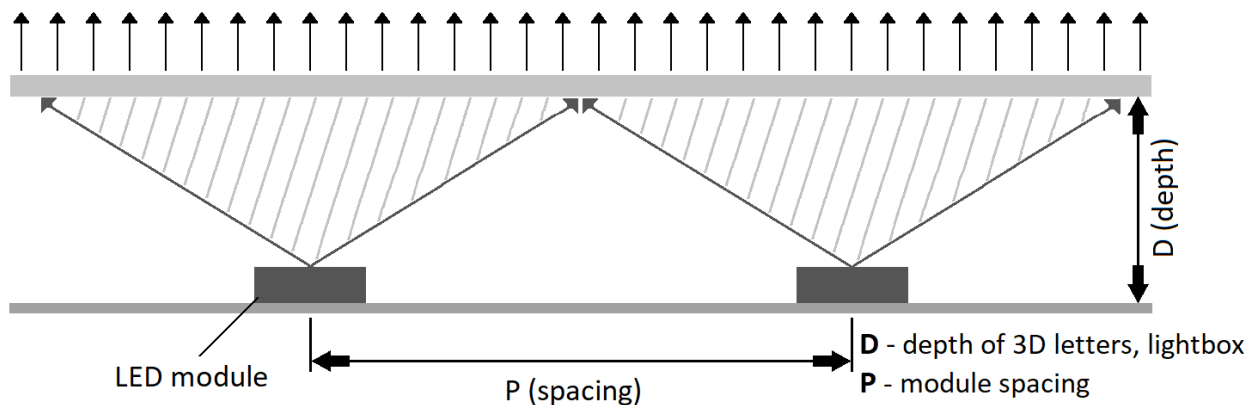
It is acceptable to connect multiple chains in parallel, as long as the power supply provides sufficient power

## Light color / CCT

Light color



## Application



$$\text{optical performance proportion} = \frac{D}{P} = 1 : 1.5$$

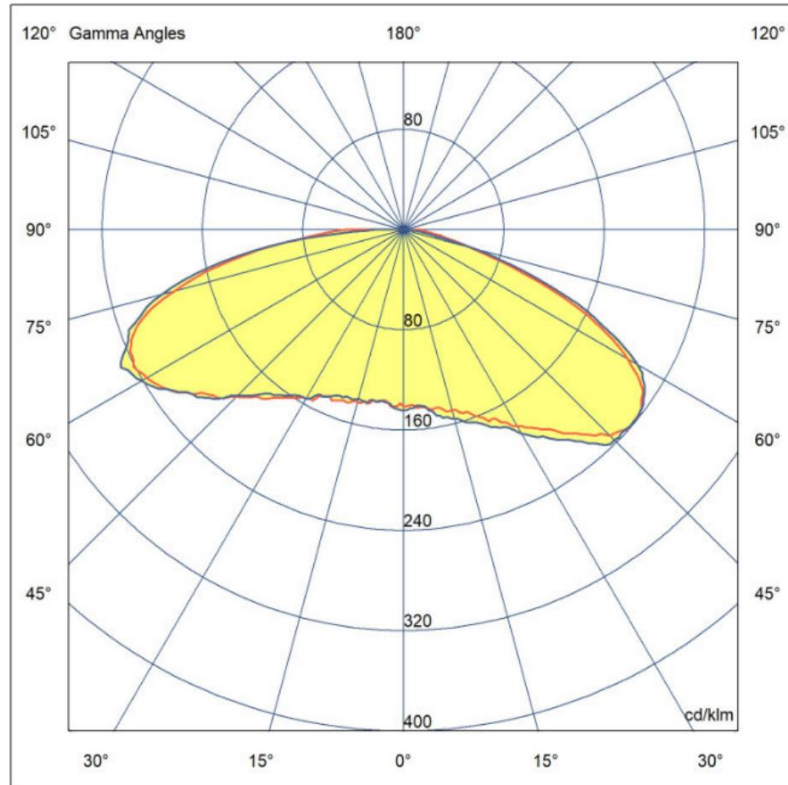


# NEVADA-3W v.2


Professional Led Modules; **8-20CM** 3D letters, lightboxes



## Beam angle



## Energy label


 **ENERGY**

**MW LIGHTING**  
NEVADA-3W v.2

A  
B  
C  
D  
E  
F  
G

**F**

**2**  
kWh/1000h

 2019/2015

## X-ON Electronics

Largest Supplier of Electrical and Electronic Components

*Click to view similar products for [LED Bars and Arrays](#) category:*

*Click to view products by [POS manufacturer](#):*

Other Similar products are found below :

[LTL-2755Y](#) [LF2B-D3P-BTHWW2-1M](#) [SSA-LXB10GW-18751](#) [SSA-LXB10YW](#) [SSA-LXH1025I1G7XXD](#) [HLMP2300](#) [LTL-2450Y](#) [LTL-2855G](#) [HLMP2655](#) [SSB-LX2301SIW](#) [TOS-4102BR-N](#) [SSA-LXB10-IYG8W-1](#) [LPB-R0112051S](#) [SSA-LXB525-I1G3I1D](#) [MW-MLD-2835-3W-LENS V,2](#) [MW-MLD-2835-1W-LENS](#) [OSWSW51006B-5V](#) [MW-MLD-2835-3B-LENS](#) [OSWM43-K4W](#) [OSWM43-G5W](#) [MW-MLD-2835-2W-LENS V,2](#) [OSWSM51006B-5V](#) [OST1MC5A31A-W1V](#) [WL 30 W](#) [MW-MLD-HE-3W-LENS170](#) [WL 20 W](#) [OSWM43-W5W](#) [57844](#) [113162000-00660681](#) [49983](#) [MW-MLD-HE-1WW-LENS170](#) [OSWM43-B6W](#) [MW-MLD-HE-2W-LENS170](#) [OSWM43-B5W](#) [OSWM43-Y5W](#) [MINIOVAL-1WW](#) [ALUSTAR-G2-NA-SC590-1A-54](#) [TOWER 5 CONNECT](#) [SCANGRIP TRIPOD 2 M](#) [WÜRTH CONNECTOR](#) [RIDGID CONNECTOR](#) [BOSCH GREEN CONNECTOR](#) [SCANGRIP TRIPOD](#) [POWER SUPPLY CONNECT](#) [DEWALT CONNECTOR](#) [SUPERFORM](#) [INGERSOLL CONNECTOR](#) [EINHELL CONNECTOR](#) [MAGNET BRACKET](#) [MAKITA CONNECTOR](#)